

## Field Fit Connector Installation

for HELIAX® LDF4-50A

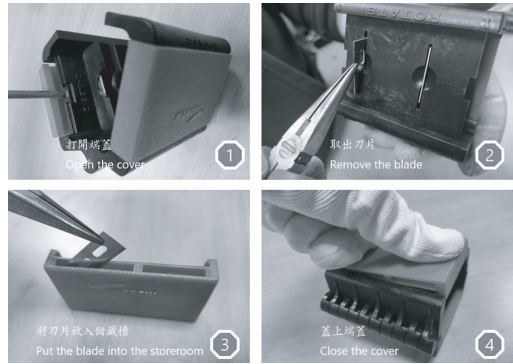
Bulletin 7853709 Revision C Page 1 of 2

CommScope Infrastructure Academy offers installation training.

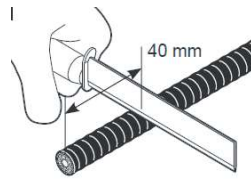
<p>Outer Body</p> <p>Clamp</p> <p>Clamping Nut</p> <p>Grease</p>	<p>MCPT-L4</p> <p>Tool MCPT-L4 224363</p>	<p>224363</p> <p>Blade Part Number MCPT-BK4 209874</p>	<p>20mm Wrench</p> <p>Cutting Pliers</p> <p>Flare tool 224363</p> <p>Wire brush</p> <p>21mm Torque Wrench</p> <p>Safety Knife</p> <p>File</p>
--	---	--	---

### Method 1

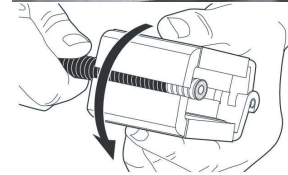
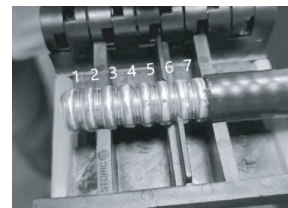
Remove the blade of jacket cutting on the MCPT-L4



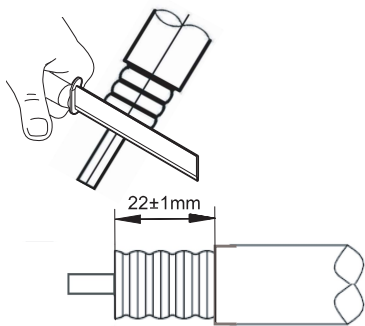
**1** Straighten the end 250mm of cable. Remove 40mm of the jacket using a knife.



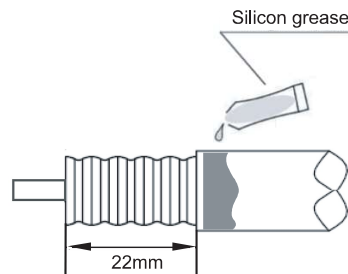
**2** Place the cable in the groove of the cutting tool with the corrugation guide at the 6th wave trough. Close the tool to Gently spin approx. 12 times as indicated by arrow.



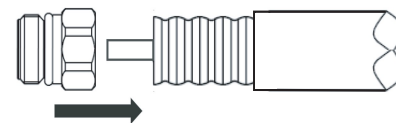
**3** Remove outer conductor, foam and adhesive. Check exposed outer conductor length  $22 \pm 1$ mm.



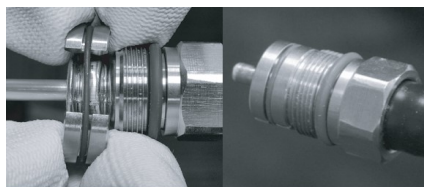
**4** Apply silicon grease on the cable jacket.



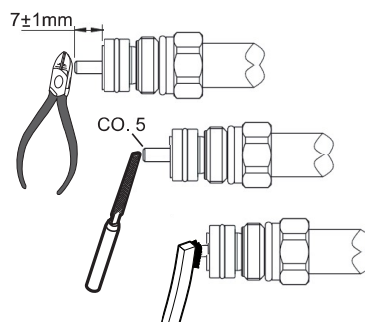
**5** Push the clamping nut onto the cable until it stops against the jacket (a minimum of 2 full corrugations should be exposed).



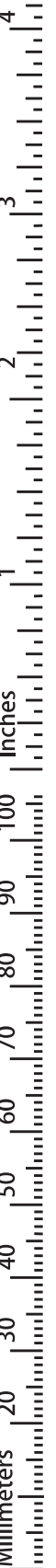
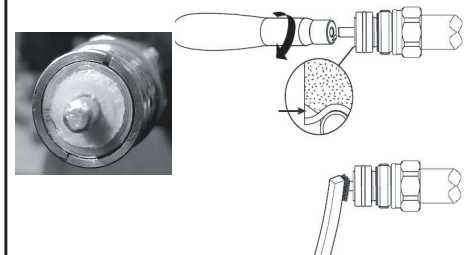
**6** Place the clamp onto corrugations of the cable.



**7** Trim the inner conductor with cutting pliers to  $7 \pm 1$ mm. Chamfer the end of the inner conductor with a file. Deburr and remove debris from the outer copper edge and foam dielectric with nylon brush.



**8** Insert the out-conductor flaring tool between the cable out conductor and the foam. Push and rotate clockwise to separate and make the copper to flaring.



**9** Push and hold the front-nut and tighten the back-nut.

**10** Screw the clamping nut onto the main body, torque to:15-18Nm.

Method 2

**1** Straighten the end 250mm of cable. Remove 40mm of the jacket using a knife.

**2** Apply silicon grease on the cable jacket.

**3** Push the clamping nut onto the cable until it stops against the jacketing as dimension shown. Place the clamp onto corrugations 1 and 2 of the cable.


**4** Remove the outer copper using a pair of cutting pliers by snipping the end and rolling back onto itself tearing at the next corrugation back. Repeat until copper is against the clamp. Remove the foam from the inner conductor using a knife, be careful not to scratch the inner conductor copper.

15-20 lb-in  
1.7-2.3 N•m  
N-type

18-22 lb-ft  
25-30 N•m  
DIN

**5** Notes: The next steps follow step 7 to 10 at method 1.

Connector Reattachment Kit Part Number = 12PS-RK

	表一 有毒有害物质或元素名称及含量标识格式					
	有毒有害物质或元素					
部件名称 (Part Name)	铅 (Pb)	汞 (Hg)	镉 (Cd)	六价铬 (Cr6+)	多溴联苯 (PBB)	多溴二苯醚 (PBDE)
连接器 (Connector)	X	O	O	O	O	O

O: 表示有毒有害物质在该部件所有的均质材料中的含量均在SJ/T 11363-2006规定的限量要求以下。  
X: 表示该有毒有害物质至少在该部件的某一均质材料中的含量超出SJ/T 11363-2006规定的限量要求。

**CommScope**  
1100 CommScope Place SE P.O. Box 339, Hickory, NC 28603-0339  
(828) 324-2200 (800) 982-1708  
www.commscope.com

**Technical Support**  
+1 888 297 6433, Option 3 (Toll Free US and Canada)  
+1 828 323 4220, Option 3 (local)  
<https://www.commscope.com/wisupport> (open a ticket)

Notice: CommScope disclaims any liability or responsibility for the results of improper or unsafe installation, inspection, maintenance, or removal practices.  
Aviso: CommScope no acepta ninguna obligación ni responsabilidad como resultado de prácticas incorrectas o peligrosas de instalación, inspección, mantenimiento o retiro.  
Avis : CommScope décline toute responsabilité pour les conséquences de procédures d'installation, d'inspection, d'entretien ou de retrait incorrectes ou dangereuses.  
Hinweis: CommScope lehnt jede Haftung oder Verantwortung für Schäden ab, die aufgrund unsachgemäßer Installation, Überprüfung, Wartung oder Demontage auftreten.  
Atenção: A CommScope abdica do direito de toda responsabilidade pelos resultados de práticas inadequadas e sem segurança de instalação, inspeção, manutenção ou remoção.  
Avvertenza: CommScope declina eventuali responsabilità derivanti dall'esecuzione di procedure di installazione, ispezione, manutenzione e smontaggio improprie o poco sicure.  
注意: CommScope 公司申明對於不恰當或不安全的安裝、檢驗、維修或拆卸操作所導致的後果不負責任。何義務和責任

