

L4NR-F



N Male Right Angle for 1/2 in LDF4-50A cable

Product Classification

Product Type	Wireless and radiating connector
Product Brand	HELIAX®
Product Series	LDF4-50A
Ordering Note	ANDREW® standard product (Global)
Warranty	Five years

General Specifications

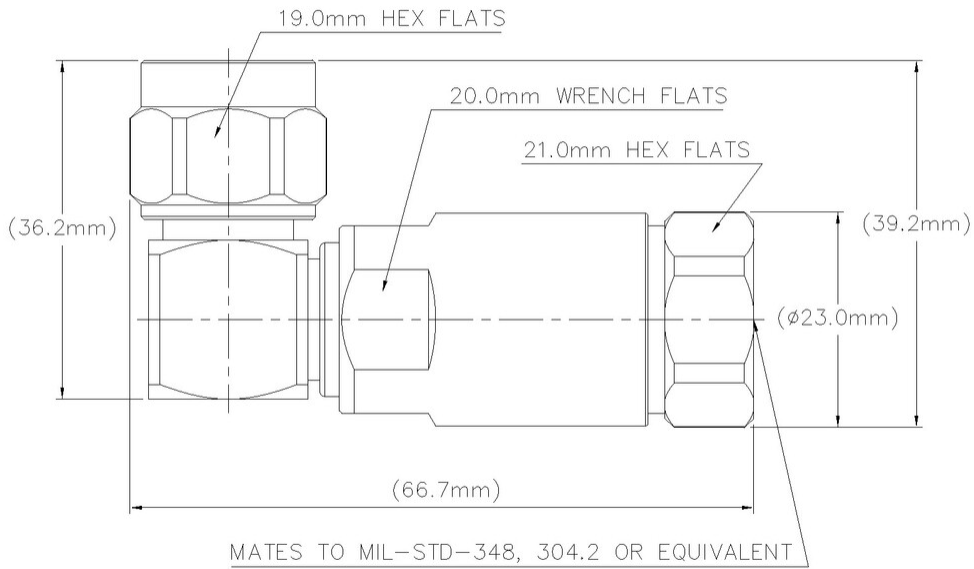
Body Style	Right angle
Cable Family	LDF4-50A
Inner Contact Attachment Method	Captivated
Inner Contact Plating	Silver
Interface	N Male
Outer Contact Attachment Method	Clamp
Outer Contact Plating	Trimetal

Dimensions

Length	66.7 mm 2.626 in
Right Angle Length	39.2 mm 1.543 in
Diameter	23 mm 0.906 in
Nominal Size	1/2 in

Outline Drawing

L4NR-F



Electrical Specifications

3rd Order IMD	-159 dBc
3rd Order IMD at Frequency	-116 dBm @ 900 MHz
3rd Order IMD Test Method	Two +43 dBm carriers
Insertion Loss Coefficient, typical	0.05
Average Power at Frequency	0.6 kW @ 900 MHz
Connector Impedance	50 ohm
dc Test Voltage	2000 V
Impedance	50 ohm
Inner Contact Resistance, maximum	1 mOhm
Insulation Resistance, minimum	5000 MOhm
Operating Frequency Band	0 – 8800 MHz
Outer Contact Resistance, maximum	0.25 mOhm
RF Operating Voltage, maximum (vrms)	707 V

L4NR-F

VSWR/Return Loss

Frequency Band	VSWR	Return Loss (dB)	Gated VSWR	Gated Return Loss (dB)	VSWR, typical	Return Loss, typical (dB)
0–1000 MHz	1.05	32.26	1.023	39		
1000–2200 MHz	1.119	25	1.074	29		
2200–3000 MHz	1.15	23.12	1.106	26		
2700–3600 MHz	1.15	23.12	1.106	26		
3600–5000 MHz	1.22	20.07	1.106	26		
5000–6000 MHz	1.33	16.97	1.152	23		
6000–8800 MHz			1.253	19	1.501	13.97

Mechanical Specifications

Attachment Durability	25 cycles
Connector Retention Tensile Force	600 N 134.885 lbf
Connector Retention Torque	4.5 N-m 39.828 in lb
Coupling Nut Proof Torque	1.7 N-m 15.046 in lb
Coupling Nut Retention Force	450 N 101.164 lbf
Coupling Nut Retention Force Method	MIL-C-39012C-3.25, 4.6.22
Interface Durability	500 cycles
Interface Durability Method	IEC 61169-16:9.5
Mechanical Shock Test Method	IEC 60068-2-27

Environmental Specifications

Operating Temperature	-55 °C to +85 °C (-67 °F to +185 °F)
Storage Temperature	-55 °C to +85 °C (-67 °F to +185 °F)
Corrosion Test Method	IEC 60068-2-11
Immersion Depth	1 m
Immersion Test Mating	Mated
Immersion Test Method	IEC 60529:2001, IP68
Thermal Shock Test Method	IEC 60068-2-14
Vibration Test Method	IEC 60068-2-6

Packaging and Weights

L4NR-F

Height, packed	248.92 mm 9.8 in
Width, packed	266.7 mm 10.5 in
Length, packed	266.7 mm 10.5 in
Packaging quantity	50

Regulatory Compliance/Certifications

Agency	Classification
CHINA-ROHS	Below maximum concentration value
REACH-SVHC	Compliant as per SVHC revision on www.commscope.com/ProductCompliance
ROHS	Compliant
UK-ROHS	Compliant



* Footnotes

Warranty	For more information, please consult our Product Warranty guidelines
Insertion Loss Coefficient, typical	0.05√freq (GHz) (not applicable for elliptical waveguide)
Immersion Depth	Immersion at specified depth for 24 hours