

L4DM-F



7-16 DIN Male for 1/2 in LDF4-50A cable

Product Classification

Product Type	Wireless and radiating connector
Product Brand	HELIAX®
Product Series	LDF4-50A
Ordering Note	CommScope® standard product (Global)
Warranty	Five years

General Specifications

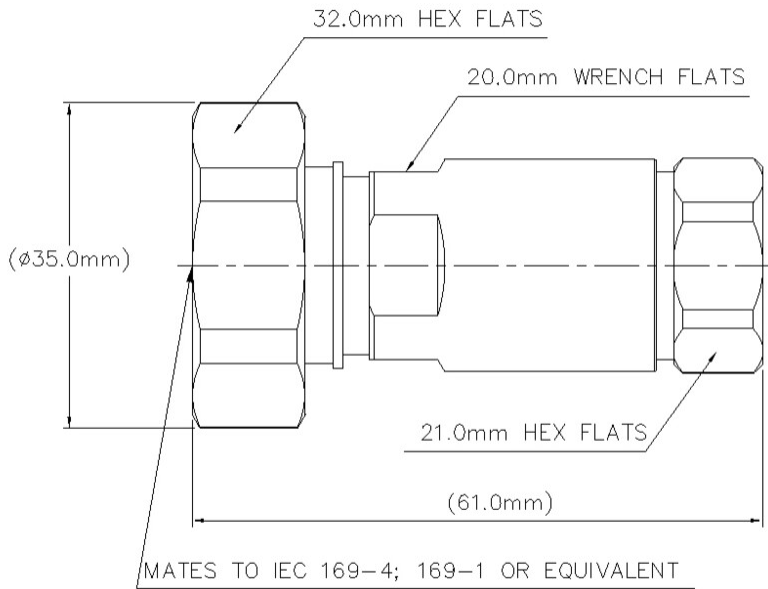
Body Style	Straight
Cable Family	LDF4-50A
Inner Contact Attachment Method	Captivated
Inner Contact Plating	Silver
Interface	7-16 DIN Male
Mounting Angle	Straight
Outer Contact Attachment Method	Clamp
Outer Contact Plating	Trimetal

Dimensions

Length	61 mm 2.402 in
Diameter	35 mm 1.378 in
Nominal Size	1/2 in

Outline Drawing

L4DM-F



Electrical Specifications

3rd Order IMD at Frequency	-120 dBm @ 900 MHz
3rd Order IMD Dynamic Test Method	Tapping/Impact, no rotation
3rd Order IMD Dynamic, typical	-97 dBm
3rd Order IMD Test Method	Two +43 dBm carriers
Insertion Loss Coefficient, typical	0.05
Average Power at Frequency	1.1 kW @ 900 MHz
Cable Impedance	50 ohm
Connector Impedance	50 ohm
dc Test Voltage	4000 V
Impedance	50 ohm
Inner Contact Resistance, maximum	0.4 mOhm
Insulation Resistance, minimum	10000 mOhm
Operating Frequency Band	0 – 7500 MHz
Outer Contact Resistance, maximum	1.5 mOhm
RF Operating Voltage, maximum (vrms)	1415 V

L4DM-F

VSWR/Return Loss

Frequency Band	VSWR	Return Loss (dB)	Gated VSWR	Gated Return Loss (dB)	VSWR, typical	Return Loss, typical (dB)
0–1000 MHz	1.05	32.26	1.02	40		
1000–2200 MHz	1.1	26.44	1.023	39		
2200–3000 MHz	1.12	24.94	1.052	32		
3000–4000 MHz	1.15	23.13	1.065	30		
4000–6000 MHz	1.2	20.83	1.106	26		
6000–7500 MHz			1.173	22	1.484	14.2
7000–8800 MHz			1.377	16	1.484	14.2

Mechanical Specifications

Attachment Durability	25 cycles
Connector Retention Tensile Force	600 N 134.885 lbf
Connector Retention Torque	4.5 N-m 39.828 in lb
Coupling Nut Proof Torque	25 N-m 221.269 in lb
Coupling Nut Retention Force	1000 N 224.809 lbf
Coupling Nut Retention Force Method	MIL-C-39012C-3.25, 4.6.22
Insertion Force	200 N 44.962 lbf
Insertion Force Method	IEC 61169-4:9.3.5
Interface Durability	500 cycles
Interface Durability Method	IEC 61169-4:9.5
Mechanical Shock Test Method	IEC 60068-2-27

Environmental Specifications

Operating Temperature	-55 °C to +85 °C (-67 °F to +185 °F)
Storage Temperature	-55 °C to +85 °C (-67 °F to +185 °F)
Corrosion Test Method	IEC 60068-2-11
Immersion Depth	1 m
Immersion Test Mating	Mated
Immersion Test Method	IEC 60529:2001, IP68
Thermal Shock Test Method	IEC 60068-2-14

L4DM-F

Vibration Test Method IEC 60068-2-6

Packaging and Weights

Height, packed 248.92 mm | 9.8 in

Width, packed 266.7 mm | 10.5 in

Length, packed 266.7 mm | 10.5 in

Packaging quantity 50

Regulatory Compliance/Certifications

Agency

Classification

CHINA-ROHS

Below maximum concentration value

REACH-SVHC

Compliant as per SVHC revision on www.commscope.com/ProductCompliance

ROHS

Compliant

UK-ROHS

Compliant



* Footnotes

Warranty For more information, please consult our Product Warranty guidelines

Insertion Loss Coefficient, typical 0.05√freq (GHz) (not applicable for elliptical waveguide)

Immersion Depth Immersion at specified depth for 24 hours