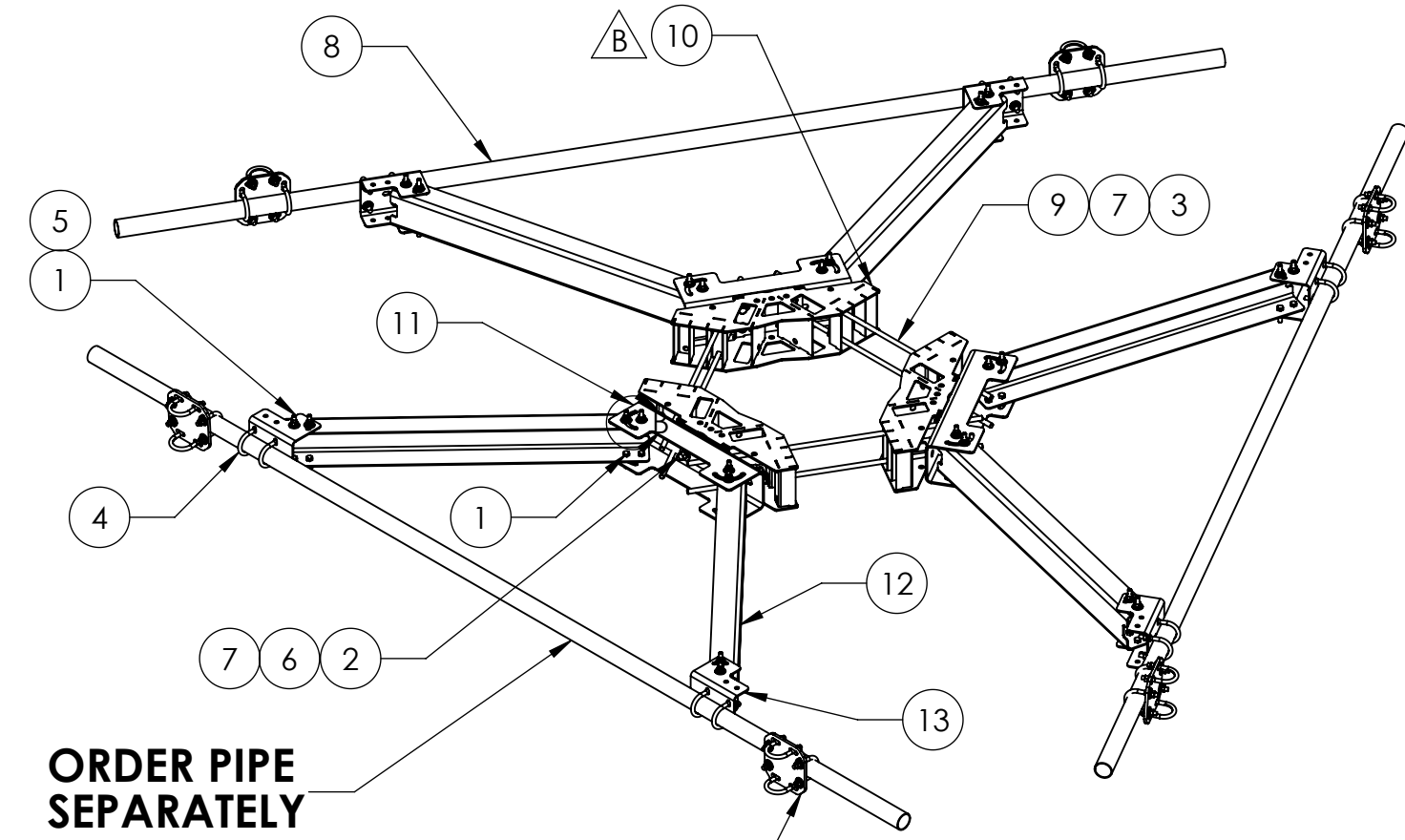
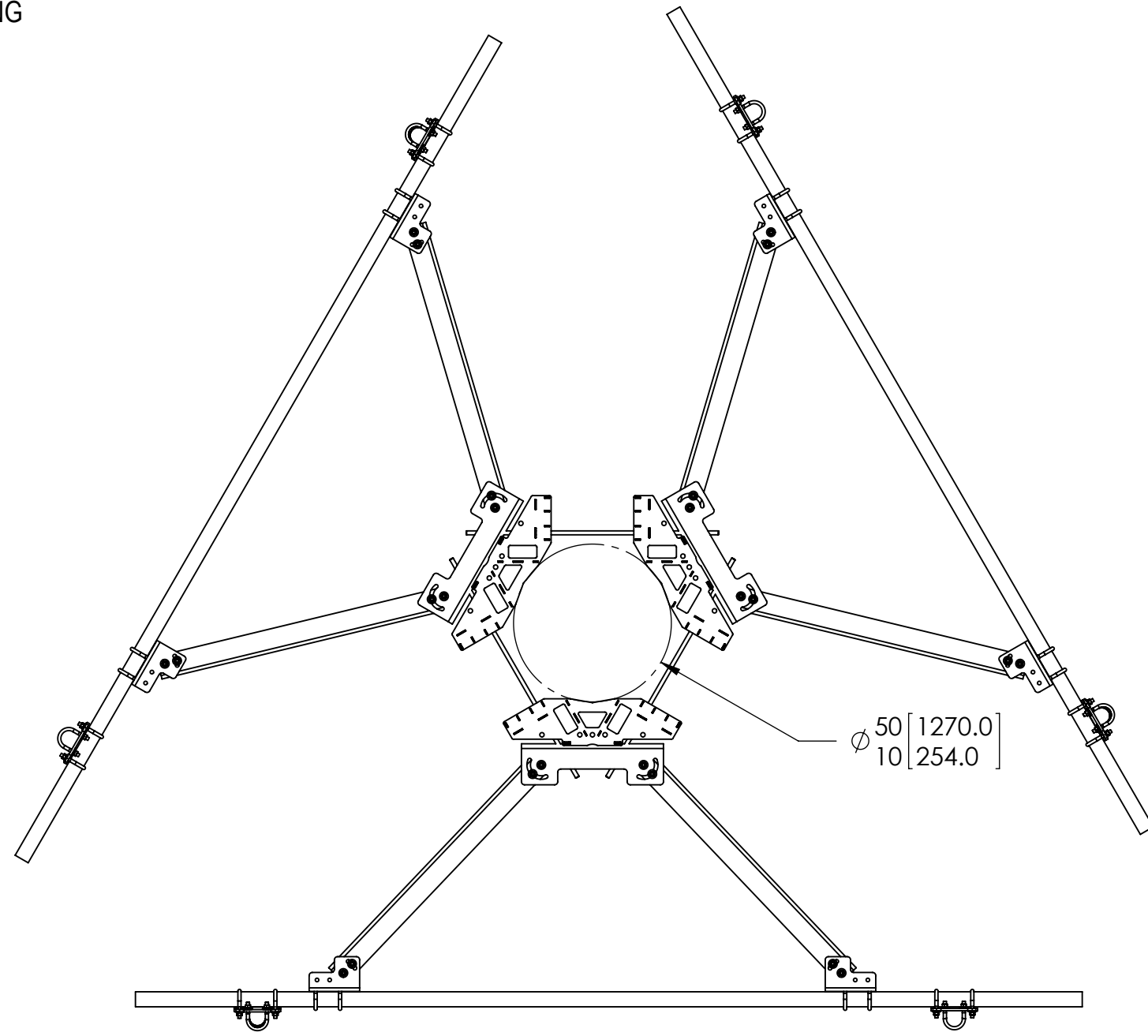


NOTES:

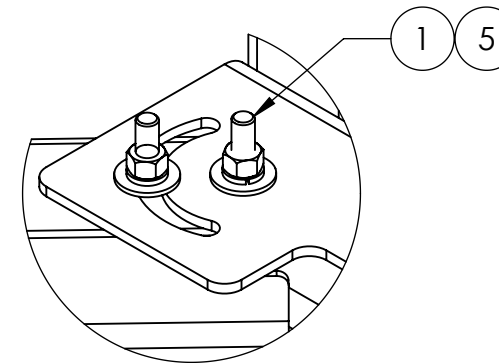
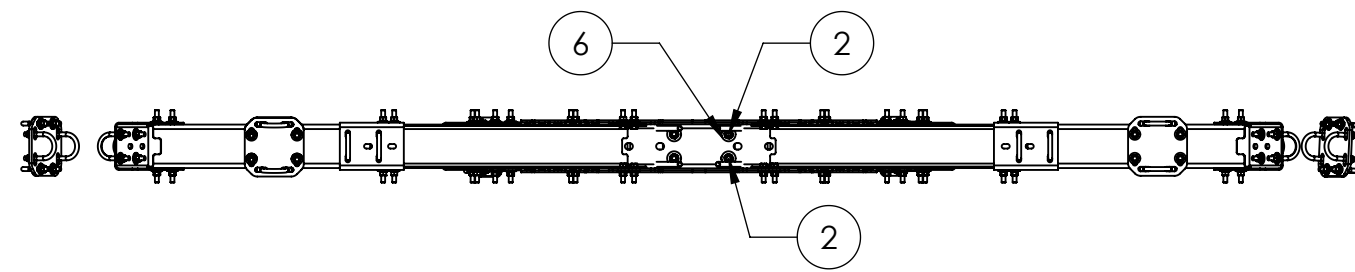
- 1.0 GENERAL
 - 1.1 ALL METRIC DIMENSIONS ARE IN BRACKETS
 - 1.2 FOR PATENTS, SEE WWW.CS-PAT.COM
 - 1.3 FIT MONOPOLES 10"-50"
 - 1.4 PRE CUT ALLTHREAD AS NEEDED FOR POLE OD
- 2.0 DESIGN NOTES
 - 2.1 TORQUE TO 115-125 FT-LBS
- 3.0 MANUFACTURING/SPECIAL REQUIRMENTS
- 4.0 TEST
- 5.0 PACKAGING

REVISIONS				
REV.	ECN	DESCRIPTION	BY	DATE
A		INITIAL RELEASE	MSM	06/11/13
B	8000035784	UPDATED RING MOUNT WITH NEW DESIGN	MRC	06/19/19



ORDER PIPE SEPARATELY

ORDER CROSSOVER KITS SEPARATELY



DETAIL B
SCALE 1 : 4

ITEM	PART NO.	DESCRIPTION	QTY.	NOTE NO.
1	GB-04205	1/2" X 2" GALV BOLT KIT	48	
2	GB-0520A	5/8" X 2" GALV BOLT KIT (A325)	12	
3	GN-05	5/8" GALV HEX NUT	12	
4	GUB-4240	1/2" X 2-1/2" X 4" GALV U-BOLT	12	
5	GWF-04	1/2" GALV FLAT WASHER	38	
6	GWF-05	5/8" GALV FLAT WASHER	24	
7	GWL-05	5/8" GALV LOCK WASHER	12	
8	MT-651-150	PIPE, 2-3/8"OD X 150" GALV	3	
9	MT38240	5/8" X 40" GALV THREADED ROD	6	
10	MTC328606	WELDMENT, MEDIUM DUTY 10-50 RINGMOUNT	3	
11	MTC340501	MOUNT CHANNEL	3	
12	MTC340502	SUPPORT ARM	6	
13	MTC340503	MOUNT CHANNEL	6	

COMMSCOPE, INC. OF NORTH CAROLINA

TOLERANCES		SAP MATERIAL MASTER																											
0 PLACE X ± .25	2 PLACE .XX ± 0.06	VSR-MS-B																											
1 PLACE .X ± 0.12	ANGLES ± 2°																												
FINISH GALV. A123		MATERIAL A500, A1011/A1018																											
UNLESS OTHERWISE SPECIFIED DIMENSIONS ARE IN INCHES INTERPRET PER ANSI Y 14.5M-1994		<table border="1" style="width: 100%;"> <tr> <th>REV.</th> <th>NAME</th> <th>DATE</th> <th>TITLE</th> </tr> <tr> <td>CE</td> <td>MRC</td> <td>06/19/19</td> <td rowspan="5" style="text-align: center; vertical-align: middle;">V-STABILIZER MONOPOLE KIT</td> </tr> <tr> <td>RW</td> <td>MC1107</td> <td>07/24/2019</td> </tr> <tr> <td>RV</td> <td></td> <td></td> </tr> <tr> <td>AD</td> <td>BCAMPBELLCON</td> <td>07/24/2019</td> </tr> <tr> <td>RE</td> <td>FA1024</td> <td>07/25/2019</td> </tr> </table>	REV.	NAME	DATE	TITLE	CE	MRC	06/19/19	V-STABILIZER MONOPOLE KIT	RW	MC1107	07/24/2019	RV			AD	BCAMPBELLCON	07/24/2019	RE	FA1024	07/25/2019	<table border="1" style="width: 100%;"> <tr> <td>SCALE</td> <td>DOCUMENT NO.</td> </tr> <tr> <td style="text-align: center; font-size: 1.2em;">1:32</td> <td style="text-align: center; font-size: 1.2em;">VSR-MS-B</td> </tr> </table>	SCALE	DOCUMENT NO.	1:32	VSR-MS-B		
REV.	NAME	DATE	TITLE																										
CE	MRC	06/19/19	V-STABILIZER MONOPOLE KIT																										
RW	MC1107	07/24/2019																											
RV																													
AD	BCAMPBELLCON	07/24/2019																											
RE	FA1024	07/25/2019																											
SCALE	DOCUMENT NO.																												
1:32	VSR-MS-B																												
<table border="1" style="width: 100%;"> <tr> <th>SIZE</th> <th>WORK AREA</th> <th colspan="3">MODEL</th> <th colspan="3">DRAWING</th> <th rowspan="2">SHEET</th> </tr> <tr> <td style="text-align: center; font-size: 1.5em;">C</td> <td style="text-align: center;">24</td> <td>VERSION</td> <td>STATUS</td> <td>REVISION</td> <td>VERSION</td> <td>STATUS</td> <td>REVISION</td> </tr> <tr> <td></td> <td></td> <td style="text-align: center;">02</td> <td style="text-align: center;">RE</td> <td style="text-align: center;">A</td> <td style="text-align: center;">01</td> <td style="text-align: center;">RE</td> <td style="text-align: center;">A</td> <td style="text-align: center;">1 OF 2</td> </tr> </table>		SIZE	WORK AREA	MODEL			DRAWING			SHEET	C	24	VERSION	STATUS	REVISION	VERSION	STATUS	REVISION			02	RE	A	01	RE	A	1 OF 2	<p style="text-align: center;">ECN 008000035784</p>	
SIZE	WORK AREA	MODEL			DRAWING			SHEET																					
C	24	VERSION	STATUS	REVISION	VERSION	STATUS	REVISION																						
		02	RE	A	01	RE	A	1 OF 2																					

DENSITY	0.28	lbs/in ³
MASS	572.56	lbs
VOLUME	2031.24	in ³
SURFACE AREA		in ²
HEIGHT		
LENGTH		
WIDTH		

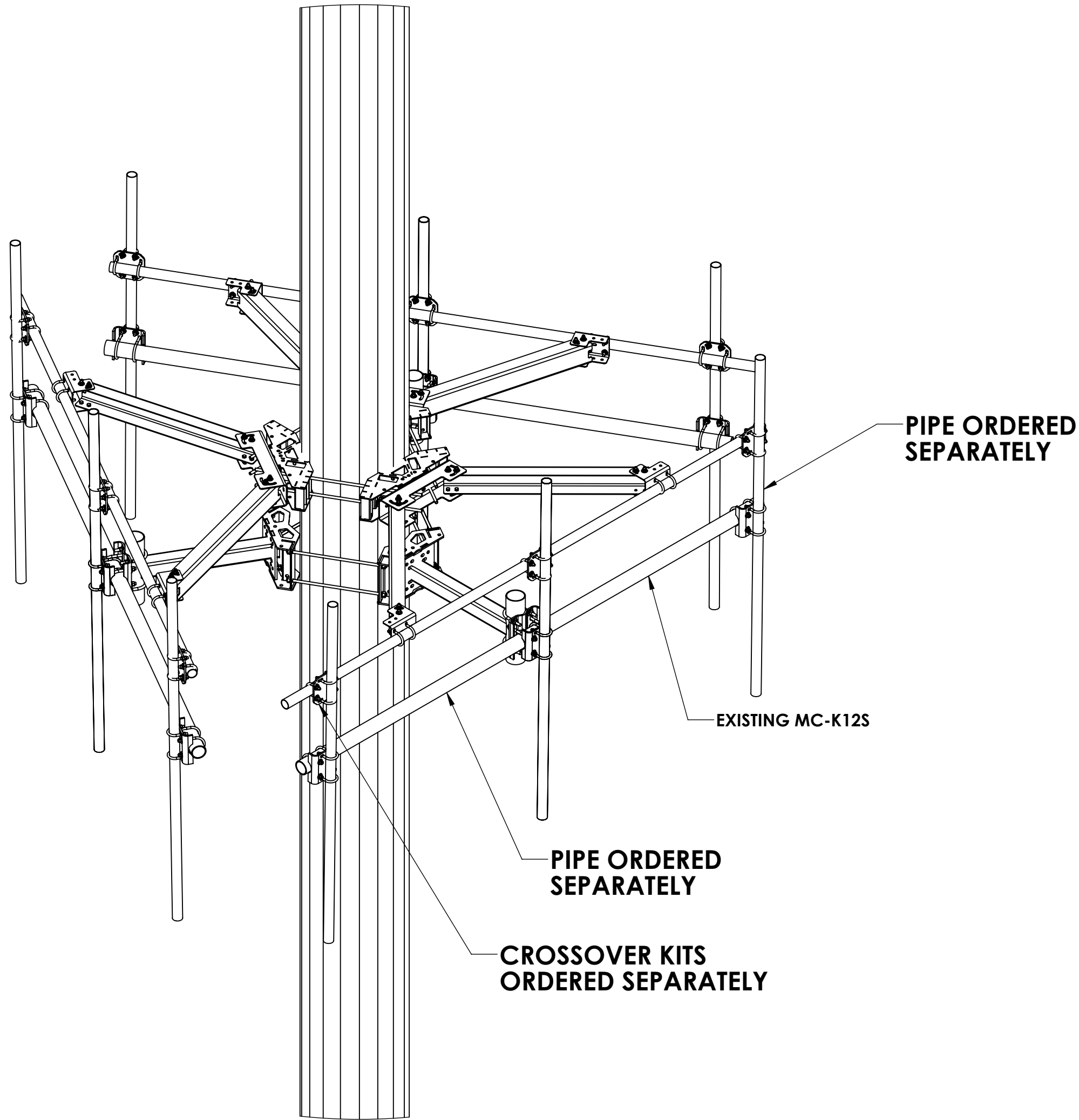
4

3

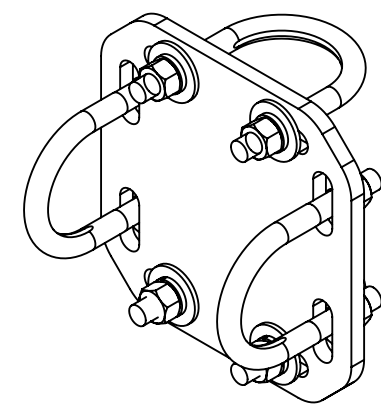
2

1


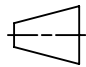
NOTES:



AVAILABLE CROSSOVER KITS



PART NUMBER	DESCRIPTION
XP-2020	2-3/8" OD to 2-3/8" OD
XP-2025	2-3/8" OD to 2-7/8" OD
XP-2030	2-3/8" OD to 3-1/2" OD
XP-2040	2-3/8" OD to 4-1/2" OD

COMMSCOPE, INC. OF NORTH CAROLINA				
TITLE V-STABALIZER MONOPOLE KIT				
SIZE C	SCALE 1:24	DOCUMENT NO. VSR-MS-B		
 		DRAWING		SHEET 2 OF 2
		VERSION 01	STATUS RE	

4

3

2

1

D

D

C

C

B

B

A

A