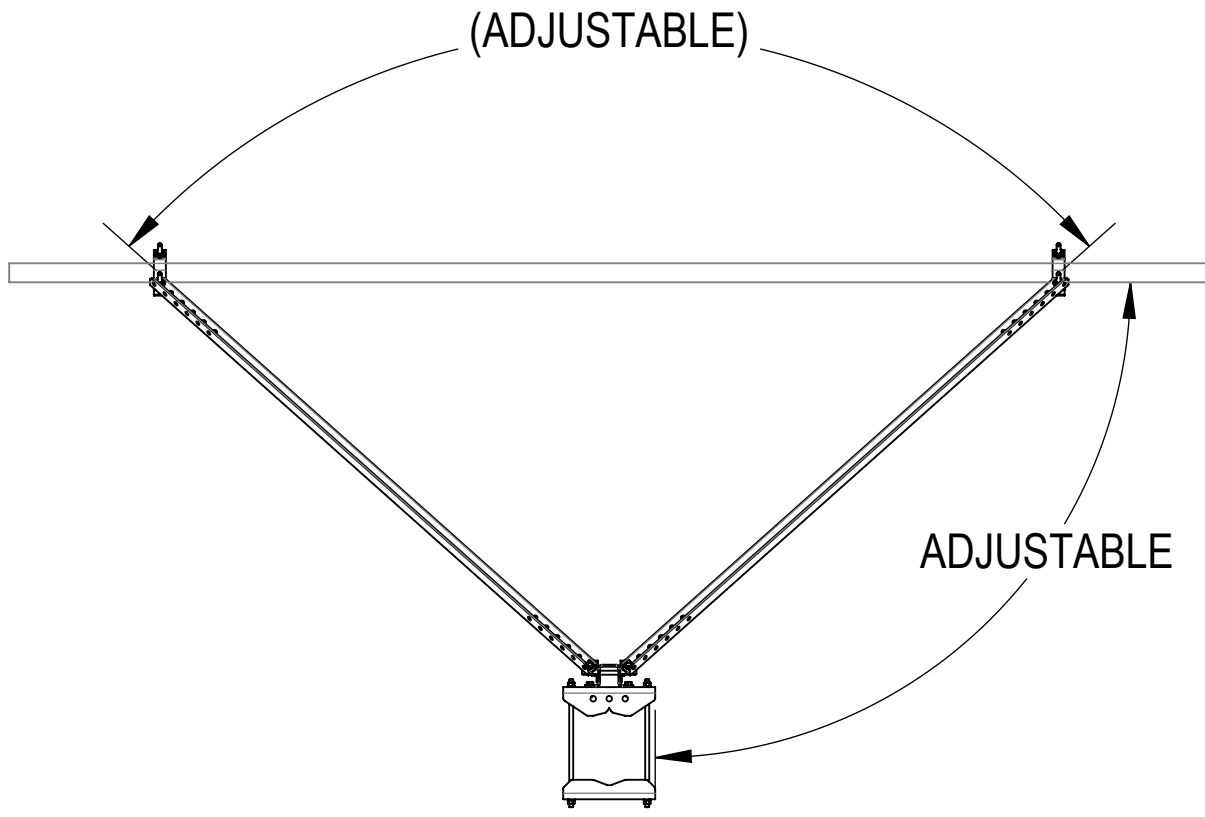
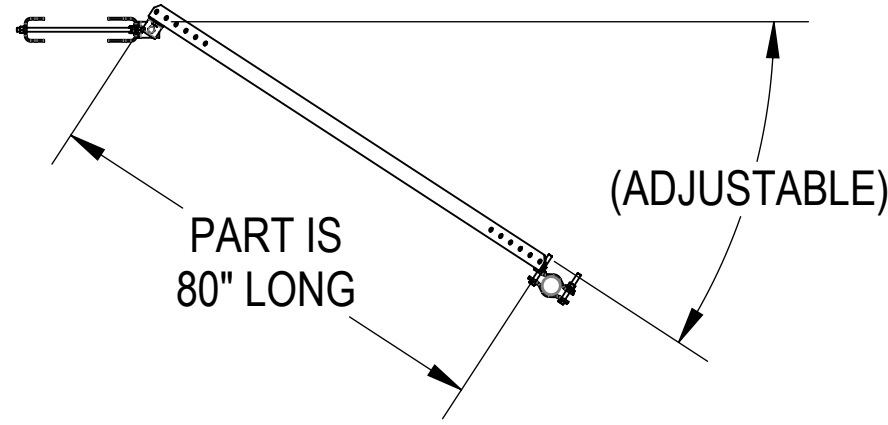
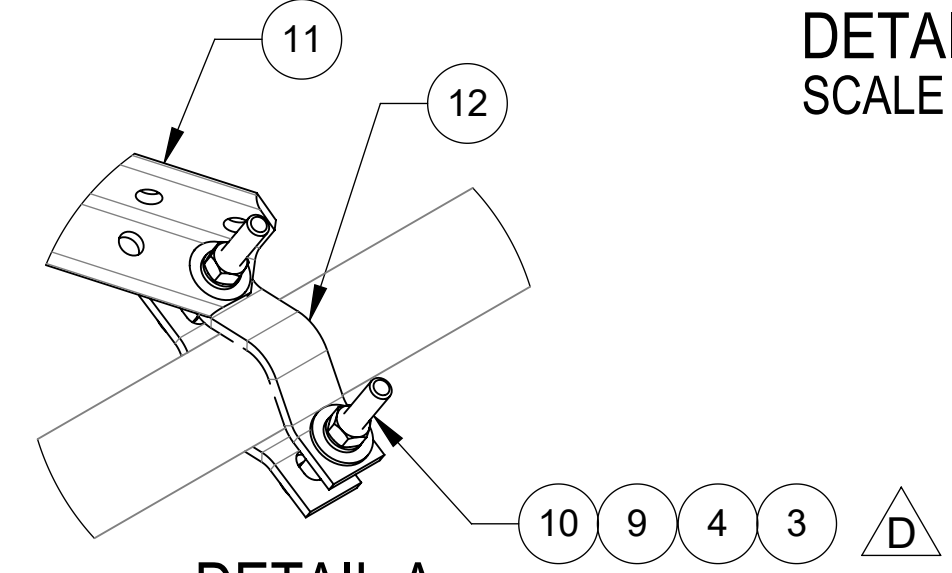
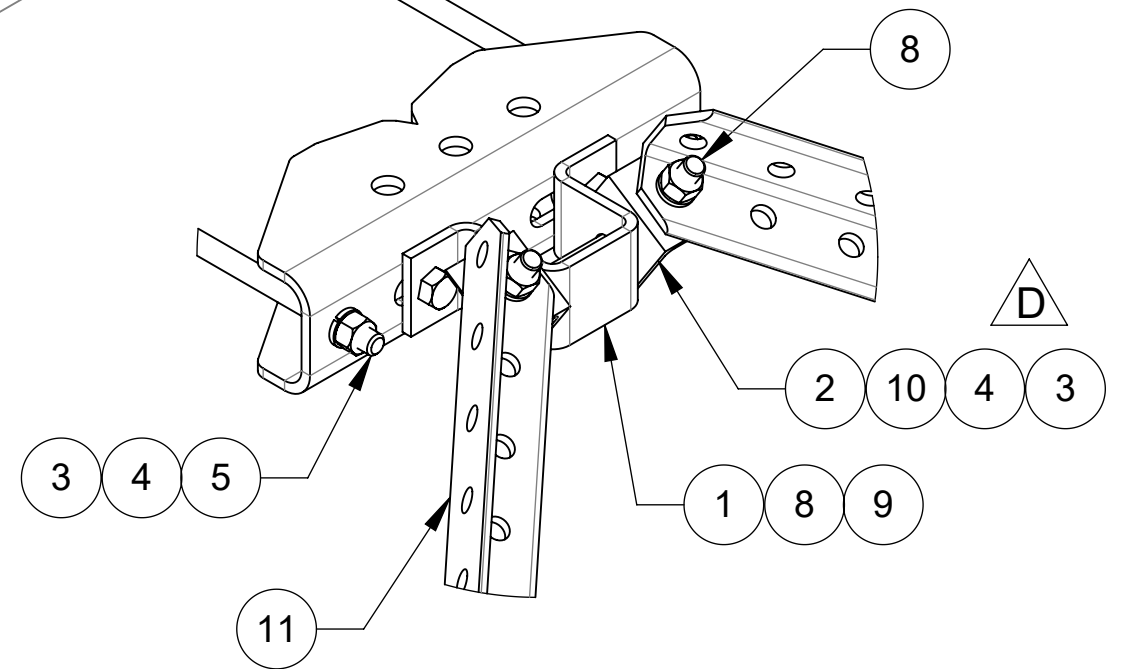
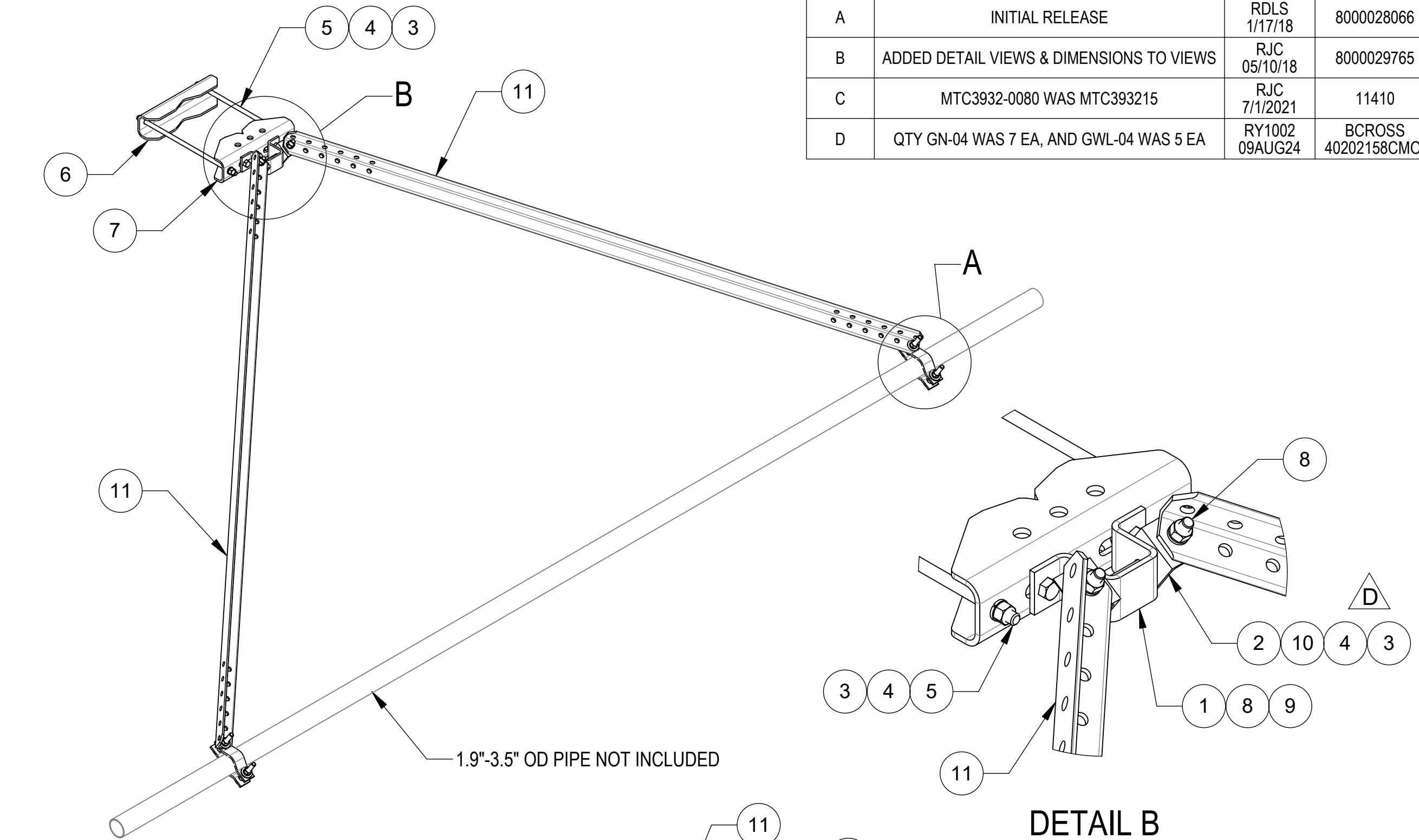
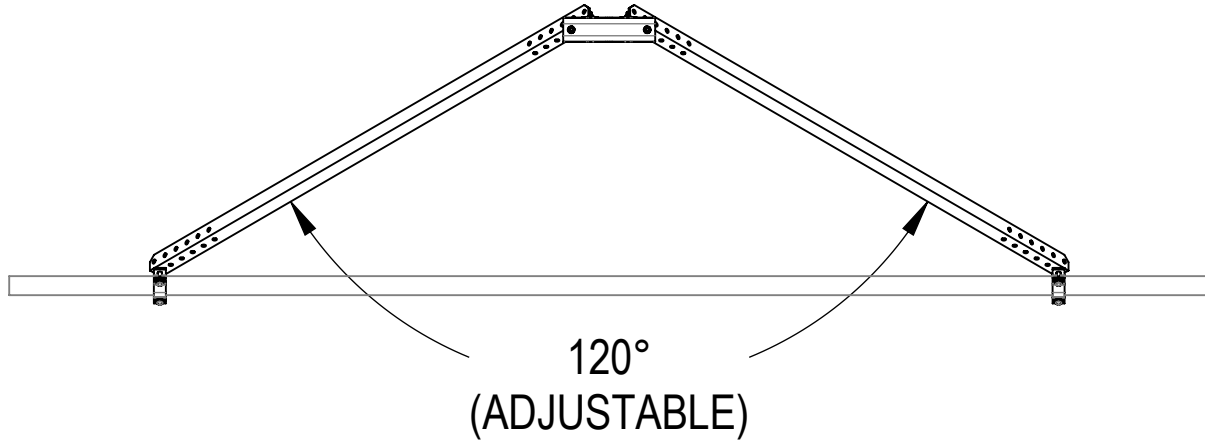


- 1.0 GENERAL NOTES
 1.1 ALL METRIC DIMENSIONS ARE IN BRACKETS [X. X]
 1.2 FOR PATENT INFO: <https://www.cs-pat.com>
 2.0 DESIGN NOTES
 2.1 FITS TOWER LEGS FROM 2" TO 8" OD.
 2.2 ALL DIMENSIONS SHOWN ARE REFERENCE ONLY ALL CONNECTIONS ARE ADJUSTABLE. FINAL INSTALLED APPLICATION DICTATES FINISHED DIMENSIONS.
 3.0 MANUFACTURING/SPECIAL REQUIREMENTS
 3.1 TIGHTEN ALL BOLTS SECURING FLAT PLATES BY THE TURN-OF-NUT METHOD. TIGHTEN ALL U-BOLTS USING TURN-OF-NUT METHOD WITH ATTENTION TO LEAVE EQUAL DISTANCE AND EQUAL FORCE ON EACH LEG OF THE U-BOLT.
 3.2 TORQUE HARDWARE TO 60 FT-LBS
 4.0 TEST
 5.0 PACKAGING
 5.1 PACKAGING SHALL MEET COMMScope REQUIREMENTS PER DOCUMENT IS-PL-3005
 5.2 PRINTED DOCUMENT TO BE PLACED INSIDE POLYBAG AND THEN IN SHIPPING CONTAINER
 5.3 EXTRA HARDWARE MAY BE SUPPLIED, BAGGED AND SHIPPED

REVISIONS			
REV.	DESCRIPTION	DATE	APPROVED
A	INITIAL RELEASE	RDLS 1/17/18	8000028066
B	ADDED DETAIL VIEWS & DIMENSIONS TO VIEWS	RJC 05/10/18	8000029765
C	MTC3932-0080 WAS MTC393215	RJC 7/1/2021	11410
D	QTY GN-04 WAS 7 EA, AND GWL-04 WAS 5 EA	RY1002 09AUG24	BCROSS 40202158CMO



UP TO ±30° AZIMUTH ADJUSTMENT OFF APEX



COMPONENT PART NUMBERS PROVIDED FOR ASSEMBLY PURPOSES; INDIVIDUAL COMPONENTS MAY BE SHIPPED AS PARTS WITHIN AN INCLUDED KIT.

ITEM	PART NO.	DESCRIPTION	QTY.	WEIGHT	NOTE NO.
1	MTC393216	BRACKET, PIVOT ATTACHMENT	1	1.41 LBS	
2	MTC393211	BRACKET, PIVOT	2	0.37 LBS	
3	GN-04	1/2" GALV HEX NUT	11	0.04 LBS	
4	GWL-04	1/2" GALV LOCK WASHER	9	0.01 LBS	
5	MT37916	1/2" X 16" GALV THREADED ROD	2	0.88 LBS	
6	MTC397531	BACK BRACKET, SM-U2080LD	1	5.15 LBS	
7	MTC397532	FRONT BRACKET, SM-U2080LD	1	5.97 LBS	
8	GB-04145	1/2" X 1-1/2" GALV BOLT KIT	4	0.13 LBS	
9	GWF-04	1/2" GALV FLAT WASHER	10	0.04 LBS	
10	1204FTB	1/2" x 4" FULL THREAD GALV. BOLT	5	0.26 LBS	
11	MTC3932-0080	ANGLE, 80° SUPPORT ARM	2	20.55 LBS	
12	ACP10	1.5" - 3.5" O.D. CLAMP HALF	4	0.61 LBS	

COMMScope, INC. OF NORTH CAROLINA

TOLERANCES
 0 PLACE X[X]± 0.25[6.4] 2 PLACE .XX[X]± 0.06[1.5]
 1 PLACE .X[X]± 0.12[3.0] ANGLES ± 2°

SAP MATERIAL MASTER
VSRAL-TS-B

FINISH MATERIAL

NAME	DATE	TITLE
CE RJC	06/14/21	V-STABILIZER, ADJUSTABLE, SINGLE, LARGE
RW RY1002	08/13/2024	
AD BCROSS	08/21/2024	
RE RY1002	09/05/2024	

SCALE 1:12 DOCUMENT NO. **VSRAL-TS-B**

ECN 40202158CMO

SIZE	Auth Group	INSL	MODEL	DRAWING			SHEET		
C			VERSION 01	STATUS RE	REVISION D	VERSION 01	STATUS RE	REVISION D	1 OF 1

DENSITY	97.96	lbs/in ³
MASS	97.96	lbs
VOLUME	345.88	in ³
SURFACE AREA	4071.88	in ²
HEIGHT		
LENGTH		
WIDTH		