

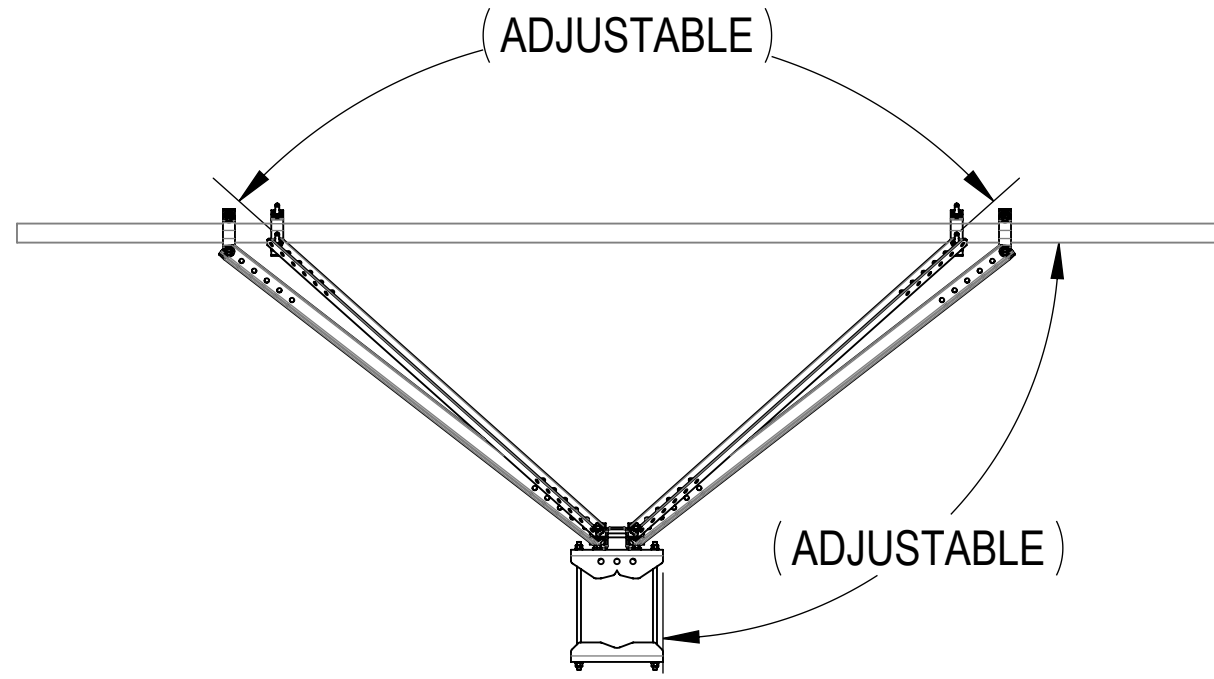
- 1.0 GENERAL NOTES
- 1.1 ALL METRIC DIMENSIONS ARE IN BRACKETS [X.X]
- 1.2 FOR PATENT INFO: <https://www.cs-pat.com>

- 2.0 DESIGN NOTES
- 2.1 FITS TOWER LEGS FROM 2" TO 8" OD.
- 2.2 ALL DIMENSIONS SHOWN ARE REFERENCE ONLY ALL CONNECTIONS ARE ADJUSTABLE. FINAL INSTALLED APPLICATION DICTATES FINISHED DIMENSIONS.

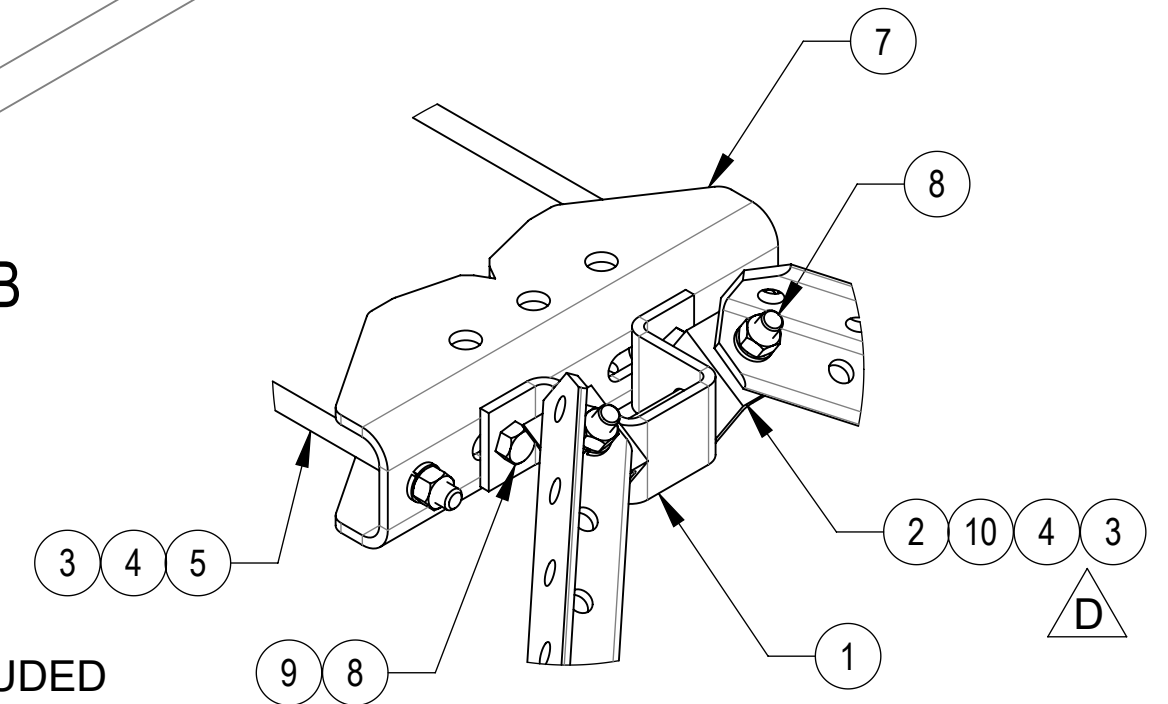
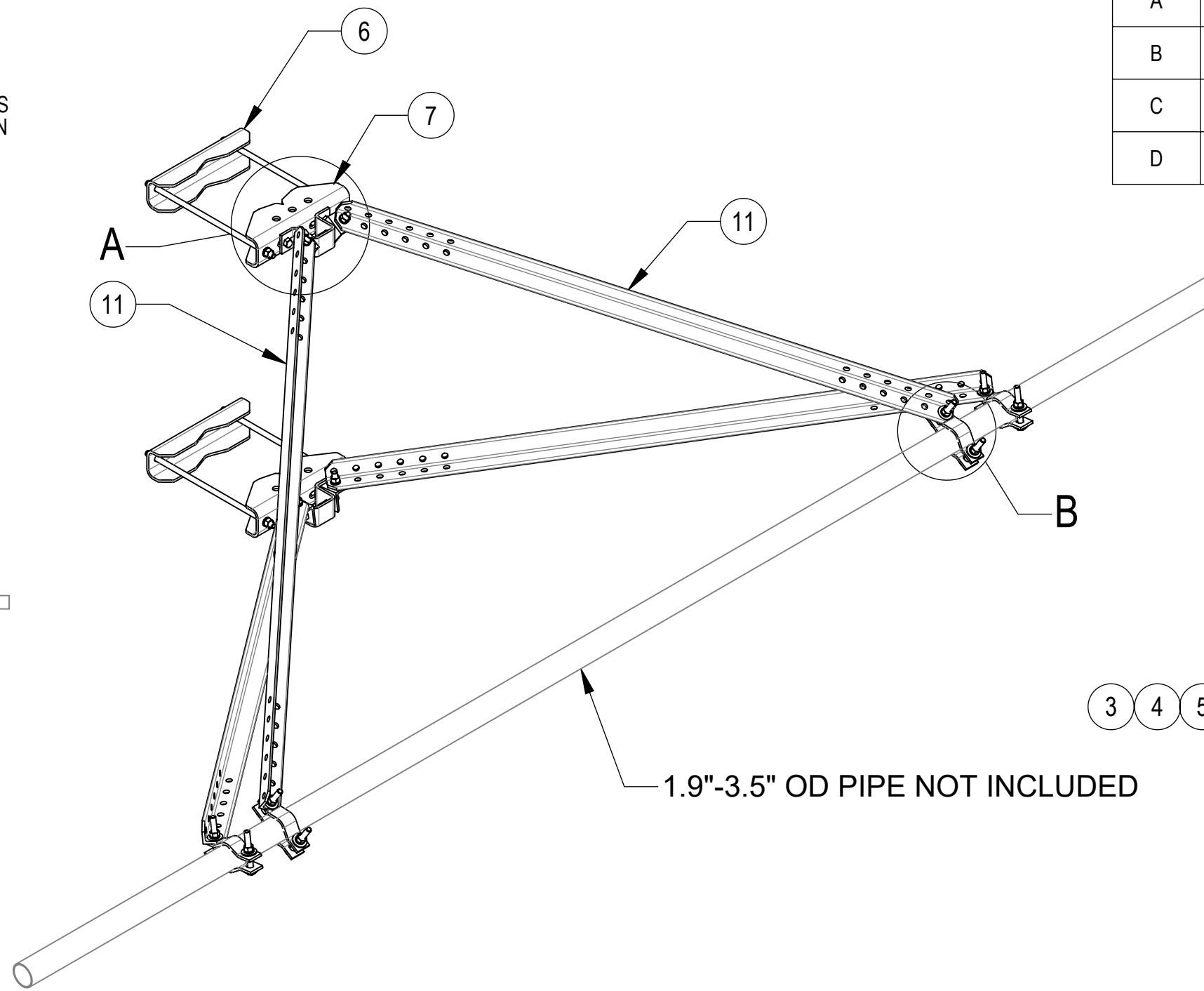
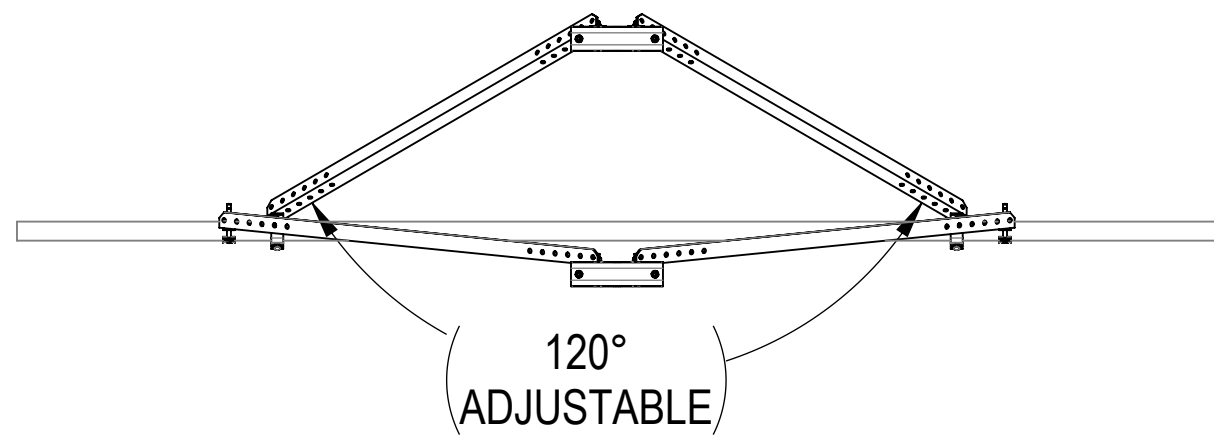
- 3.0 MANUFACTURING/SPECIAL REQUIREMENTS
- 3.1 TIGHTEN ALL BOLTS SECURING FLAT PLATES BY THE TURN-OF-NUT METHOD. TIGHTEN ALL U-BOLTS USING TURN-OF-NUT METHOD WITH ATTENTION TO LEAVE EQUAL DISTANCE AND EQUAL FORCE ON EACH LEG OF THE U-BOLT.
- 3.2 TORQUE HARDWARE TO 60 FT-LBS

- 4.0 TEST
- 5.0 PACKAGING
- 5.1 PACKAGING SHALL MEET COMMSCOPE REQUIREMENTS PER DOCUMENT IS-PL-3005
- 5.2 PRINTED DOCUMENT TO BE PLACED INSIDE POLYBAG AND THEN IN SHIPPING CONTAINER
- 5.3 EXTRA HARDWARE MAY BE SUPPLIED, BAGGED AND SHIPPED

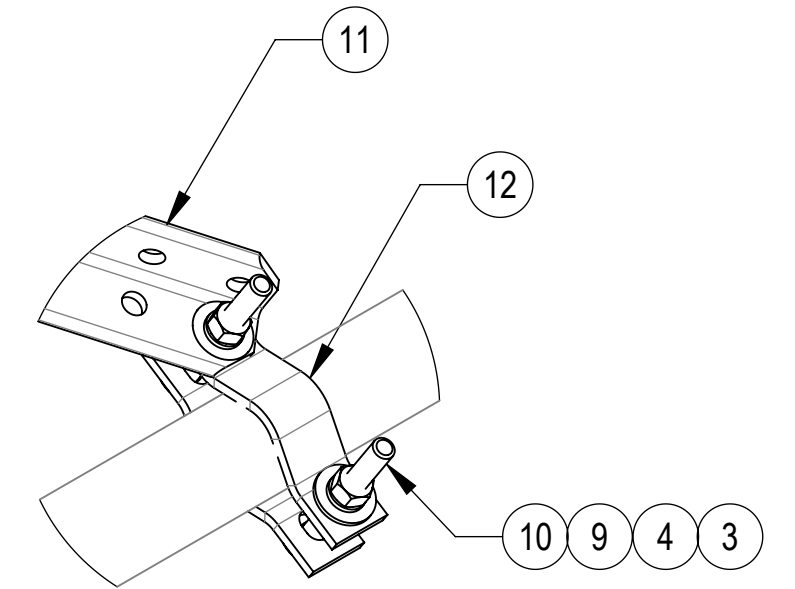
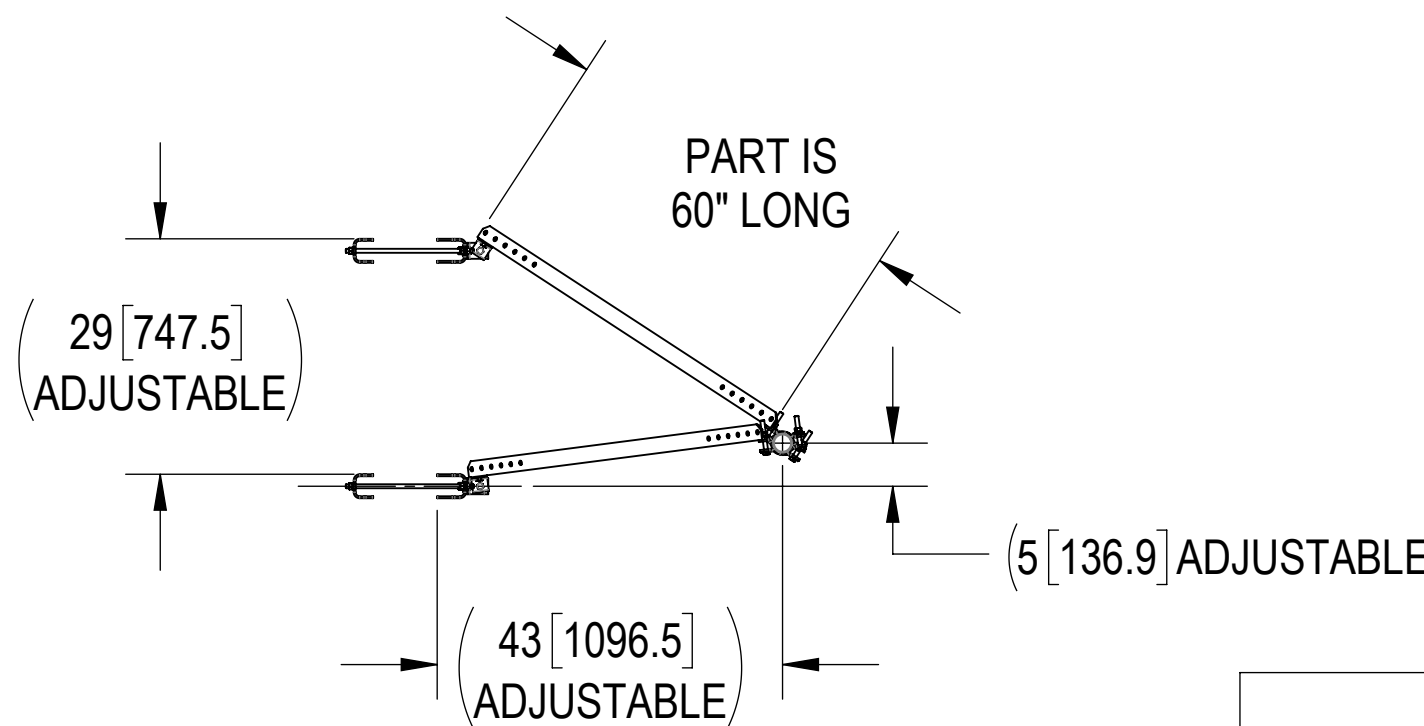
REVISIONS			
REV.	DESCRIPTION	DATE	ECN
A	INITIAL RELEASE	RDLS 1/17/18	8000028066
B	ADDED DETAIL VIEWS & DIMENSIONS TO VIEWS	RJC 05/10/18	8000029765
C	MTC3405-0001 WAS MTC393214	RJC 7/9/2021	11410PC
D	QTY GN-04 WAS 12 EA, AND GWL-04 WAS 8 EA	RY1002 09AUG24	BCROSS 40202158CMO



UP TO ±30° AZIMUTH ADJUSTMENT OFF APEX



DETAIL A SCALE 1 : 4



DETAIL B SCALE 1 : 4

COMPONENT PART NUMBERS PROVIDED FOR ASSEMBLY PURPOSES; INDIVIDUAL COMPONENTS MAY BE SHIPPED AS PARTS WITHIN AN INCLUDED KIT.

ITEM	PART NO.	DESCRIPTION	QTY.	WEIGHT	NOTE NO.
1	MTC393216	BRACKET, PIVOT ATTACHMENT	2	1.41 LBS	
2	MTC393211	BRACKET, PIVOT	4	0.37 LBS	
3	GN-04	1/2" GALV HEX NUT	22	0.04 LBS	
4	GWL-04	1/2" GALV LOCK WASHER	18	0.01 LBS	
5	MT37916	1/2" X 16" GALV THREADED ROD	4	0.88 LBS	
6	MTC397531	BACK BRACKET, SM-U2080LD	2	5.15 LBS	
7	MTC397532	FRONT BRACKET, SM-U2080LD	2	5.97 LBS	
8	GB-04145	1/2" X 1-1/2" GALV BOLT KIT	8	0.13 LBS	
9	GWf-04	1/2" GALV FLAT WASHER	20	0.04 LBS	
10	1204FTB	1/2" x 4" FULL THREAD GALV. BOLT	10	0.26 LBS	
11	MTC3405-0001	ANGLE, 60" SUPPORT ARM	4	15.37 LBS	
12	ACP10	1.5" - 3.5" O.D. CLAMP HALF	8	0.61 LBS	

DENSITY	138.86	lbs/in ³
MASS	489.67	lbs
VOLUME	5392.63	in ³
SURFACE AREA		in ²
HEIGHT		
LENGTH		
WIDTH		

COMMSCOPE, INC. OF NORTH CAROLINA															
TOLERANCES						SAP MATERIAL MASTER									
0 PLACE .X[X] ± 0.25[6.4]			2 PLACE .XX[X] ± 0.06[1.5]			VSRDUALA-TS-B									
1 PLACE .X[X] ± 0.12[3.0]			ANGLES ± 2°			FINISH									
MATERIAL						TITLE									
UNLESS OTHERWISE SPECIFIED DIMENSIONS ARE IN INCHES INTERPRET PER ANSI Y 14.5M-1994						NAME			DATE			TITLE			
CE			RJC			07/09/21			V-STABILIZER, ADJUSTABLE, DUAL						
RW			RY1002			08/13/2024									
AD			BCROSS			08/21/2024									
RE			RY1002			09/05/2024									
ECN 40202158CMO						SCALE 1:12			DOCUMENT NO. VSRDUALA-TS-B						
SIZE				Auth Group		INSL		MODEL				DRAWING		SHEET	
C				⊕		◁		VERSION 01		STATUS RE		REVISION D		01 RE D	