

1.0 GENERAL NOTES

- 1.1 ALL METRIC DIMENSIONS ARE INDICATED BY [X.X]
- 1.2 ALL DIMENSIONS SHOWN ARE FOR REFERENCE ONLY
- 1.3 THIS DRAWING IS A SERIES ASSEMBLY WITH MULTIPLE CONFIGURATIONS. THE -XX SUFFIX DENOTES A SPECIFIC LENGTH. SEE TABLE 1 FOR DETAILS

2.0 DESIGN NOTES

- 2.1 TABLE 2 PROVIDES MAX SHEAR (APPLIED 25FT ABOVE GROUND) AND MOMENT CAPACITIES FOR REFERENCE. AN UNFACTORED LOAD OF 1700 LBS IS ALSO APPLIED AND REPRESENTS THE WEIGHT OF THE POLE AND ALL EQUIPMENT. THESE VALUES ARE INTENDED AS GENERAL GUIDELINES.
- 2.2 REFER TO THE SITE STRUCTURAL REPORT FOR EMBEDDED PIER FOUNDATION DETAILS AND INSTALLATION.
- 2.3 ALL BOLTS SHALL BE TIGHTENED AT INSTALLATION TO A SNUG-TIGHT CONDITION PER AISC 13TH EDITION, PAGE 16.2-46, SECTION 8.1. THE SNUG-TIGHT CONDITION IS DEFINED AS THAT OBTAINED WITH A FEW IMPACTS OF AN IMPACT WRENCH OR THE FULL EFFORT OF AN IRONWORKER USING AN ORDINARY SPUD WRENCH TO BRING THE CONNECTED PLIES INTO FIRM CONTACT.

3.0 MANUFACTURING/SPECIAL REQUIREMENTS

- 3.1 TORCH CUTTING OF ANY KIND SHALL NOT BE PERMITTED.

4.0 TEST

5.0 PACKAGING

- 5.1 HARDWARE MAY BE SUPPLIED PACKAGED SEPARATELY
- 5.2 PRINTED DOCUMENT TO BE PLACED WITH HARDWARE CONTAINER FOR SHIPMENT
- 5.3 SUPPORT WELDMENT TO PREVENT DAMAGE TO CABLE ENTRY PARTS, BOTH SIDES

REVISIONS				
REV.	ECN	DESCRIPTION	BY	DATE
A	10646PC	INITIAL RELEASE	AG1119	4-20-2022

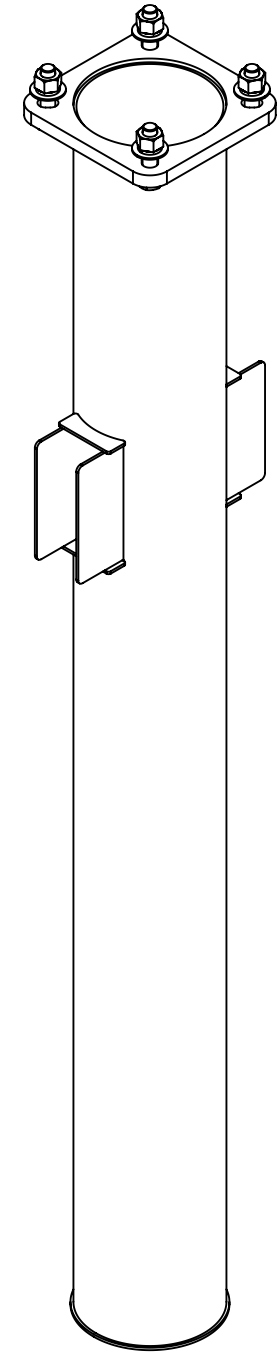
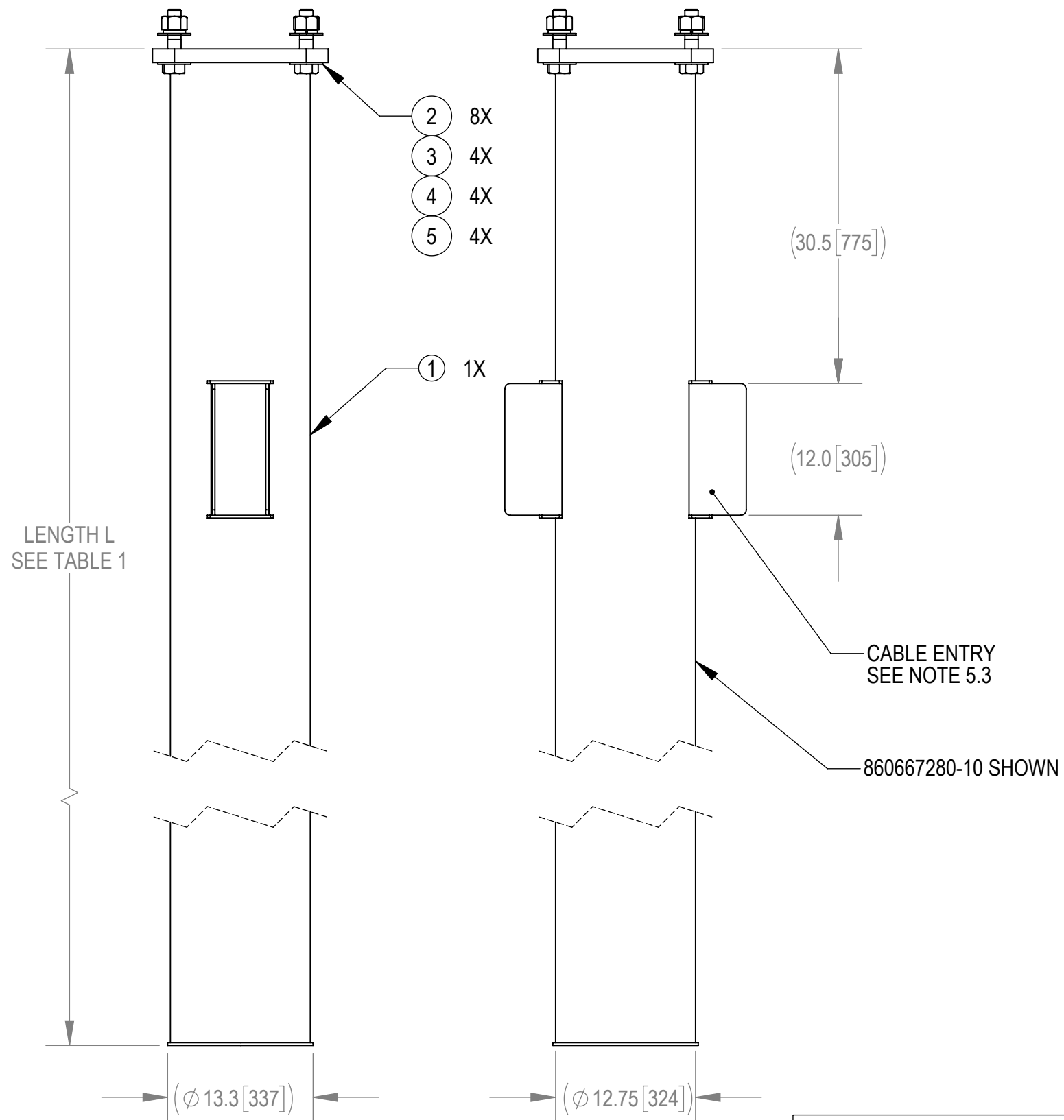
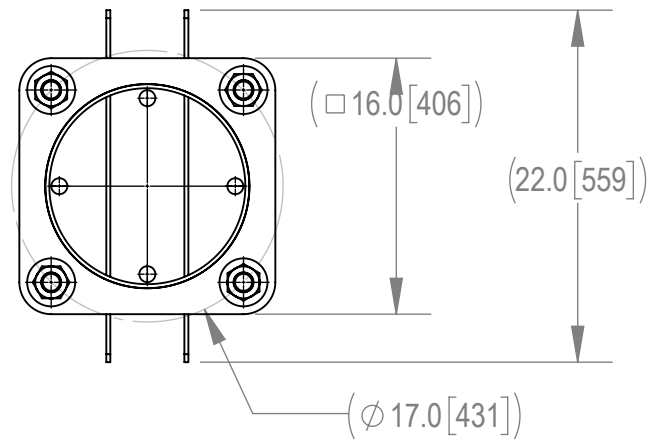


TABLE 1: POLE ASSEMBLY

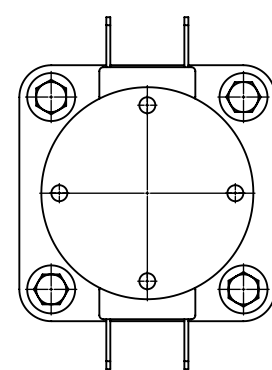
ASSEMBLY MID_P/N	ASSY DESCRIPTION	LENGTH, IN [MM]	ITEM 1 WELDMENT MID_P/N	WEIGHT, LBS
860667280-10	EMBEDDED POLE KIT, 12.75"OD X 10'	122.6 [3114]	MTM1136-7410	472
860667280-12	EMBEDDED POLE KIT, 12.75"OD X 12'	146.6 [3724]	MTM1136-7412	541
860667280-14	EMBEDDED POLE KIT, 12.75"OD X 14'	170.6 [4333]	MTM1136-7414	612

TABLE 2: MOMENT AND SHEAR CAPACITIES - FOR REFERENCE ONLY

ASSEMBLY MID_P/N	EMBED DEPTH (FT)	MAX MOMENT (K-FT)		MAX SHEAR @ 25FT (K)	
		LRFD	ASD	LRFD	ASD
860667280-10	10	50	30	2	1.2
860667280-12	12	83.3	50	3.3	2
860667280-14	14	115	69	4.6	2.75
		MAX MOMENT (K-FT) OR TENSION (K)		MAX SHEAR (K)	
POLE MAXIMUM CAPACITIES		120.7	80.3	113	75
POLE MAXIMUM CAPACITIES		82.8	55.2	44.2	29.5

BILL OF MATERIALS - FOR REFERENCE ONLY. SEPARATELY SUPPLIED SAP BOM CONTROLS CONTENT

ITEM NO.	PART NUMBER	DESCRIPTION	QTY.
1	mtm1136-74yy	WLDMNT, 12.75" EMBEDDED POLE, MULTI-LGTH	1
2	GWF-10	1-1/4" GALV FLAT WASHER	8
3	GB-1050A	1.25-7 X 5" GALV BOLT KIT (A325)	4
4	GWL-10	GALV WASHER, LOCK, 1-1/4"	4
5	GN-10A	HEX NUT GALV, 1.25-7, HEAVY	4



DENSITY	434.475	lbs/in ³
MASS	1541.825	lbs
VOLUME	11537.281	in ³
SURFACE AREA		
HEIGHT	SEE TABLE	
LENGTH	16	
WIDTH	16	

COMMSCOPE, INC. OF NORTH CAROLINA

TOLERANCES: 1 PLACE .X ± 0.3, 2 PLACE .XX ± 0.06, 3 PLACE .XXX ± 0.03, ANGLES ± 0.5°

SAP MATERIAL MASTER: 860667280-XX

FINISH: NONE, MATERIAL: SEE BOM

NAME	DATE	TITLE
CE AG1119	4/20/2022	EMBEDDED POLE KIT, 12.75"OD MULTI-LGTH
RW NSUN	04/29/2022	
AD DM1121	04/29/2022	
RE DM1121	04/29/2022	

SCALE: 1:24, DOCUMENT NO.: 860667280-XX

SIZE	WORK AREA	INSL	MODEL	DRAWING			SHEET		
C			VERSION	STATUS	REVISION	VERSION	STATUS	REVISION	1 OF 1
			00	RE	A	00	RE	A	