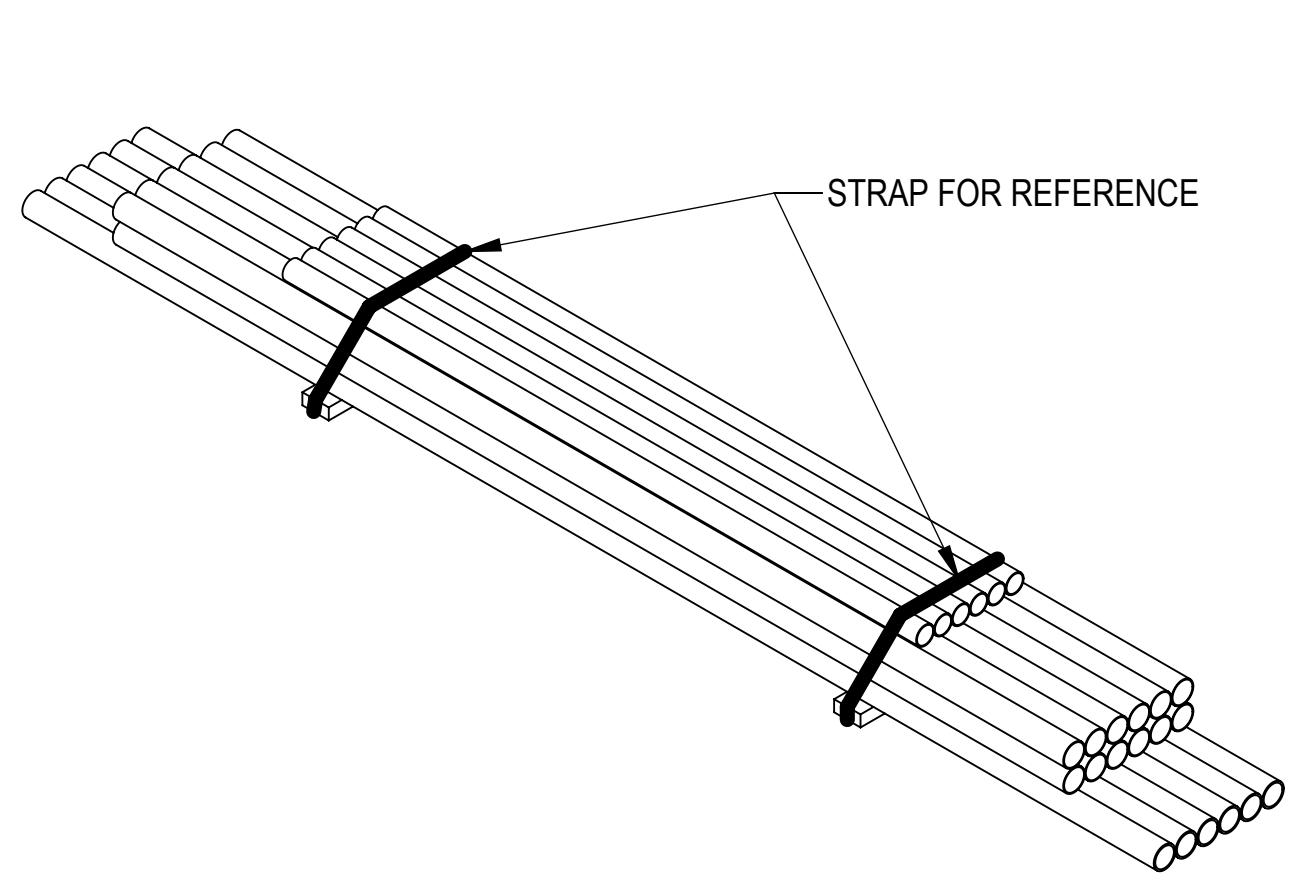
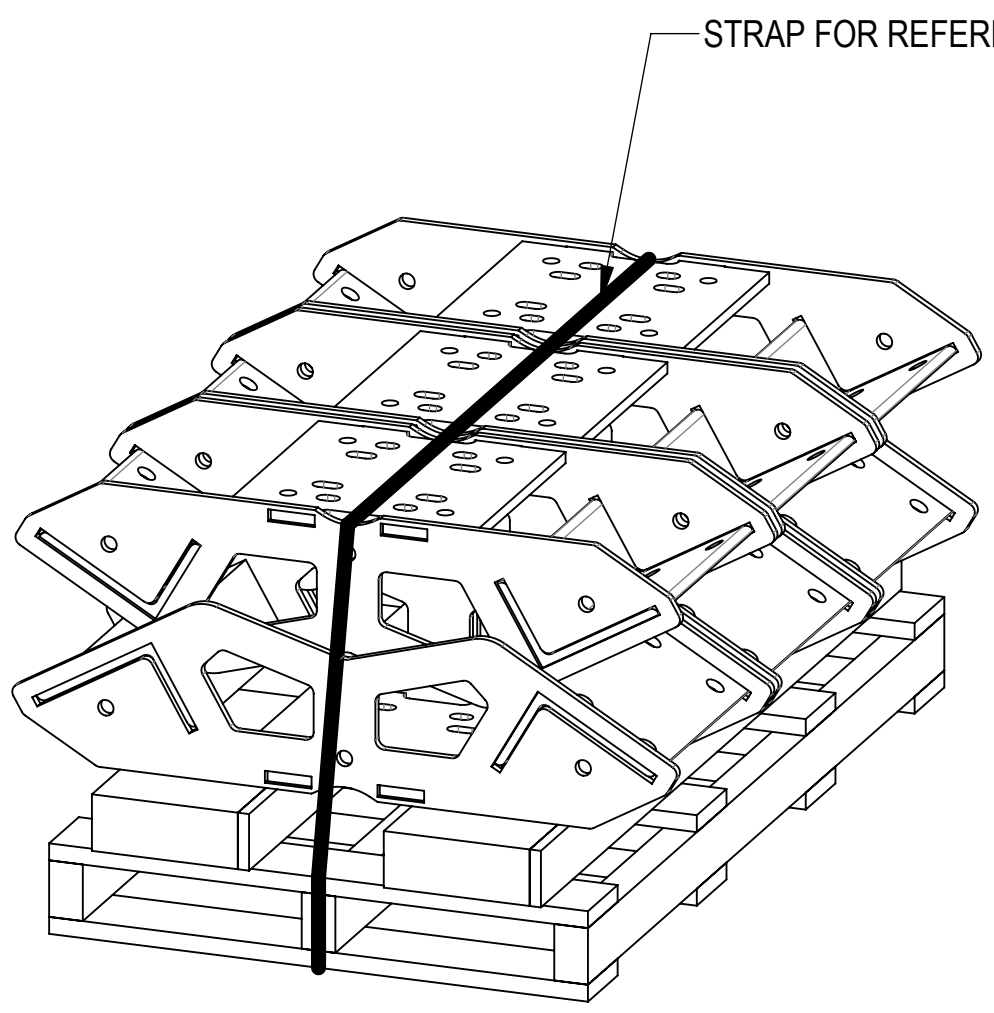


- 1.0 GENERAL NOTES
 - 1.1 ALL METRIC DIMENSIONS ARE IN BRACKETS [X.X]
 - 1.2 FOR PATENT INFO: <https://www.cs-pat.com>
- 2.0 DESIGN NOTES
 - 2.1 ANY HAZARDS OR OBSTRUCTIONS TO THE CLIMBING FACILITY AND SAFETY CLIMB MUST BE IDENTIFIED PRIOR TO INSTALLING THE APPURTENANCE. ADDITIONAL PRODUCTS MAY BE REQUIRED TO MAINTAIN THE INTEGRITY OF THE SAFETY CLIMB. DURING INSTALLATION, TEMPORARY AND/OR PERMANENT PRECAUTIONARY MEASURES SHOULD BE TAKEN TO PRESERVE THE CLIMBING FACILITY AND/OR SAFETY CLIMB.
 - 2.2 FITS MONOPOLES 15" TO 50" OD.
- 3.0 MANUFACTURING/SPECIAL REQUIREMENTS
 - 3.1 TIGHTEN ALL BOLTS SECURING FLAT PLATES BY THE TURN-OF-NUT METHOD. TIGHTEN ALL U-BOLTS USING TURN-OF-NUT METHOD WITH ATTENTION TO LEAVE EQUAL DISTANCE AND EQUAL FORCE ON EACH LEG OF THE U-BOLT.
- 4.0 TEST
- 5.0 PACKAGING
 - 5.1 PACKAGING SHALL MEET COMMSCOPE REQUIREMENTS PER DOCUMENT IS-PL-3005.
 - 5.2 PRINTED DOCUMENT TO BE PLACED INSIDE POLYBAG AND THEN IN SHIPPING CONTAINER.
 - 5.3 EXTRA HARDWARE MAY BE SUPPLIED, BAGGED AND SHIPPED.

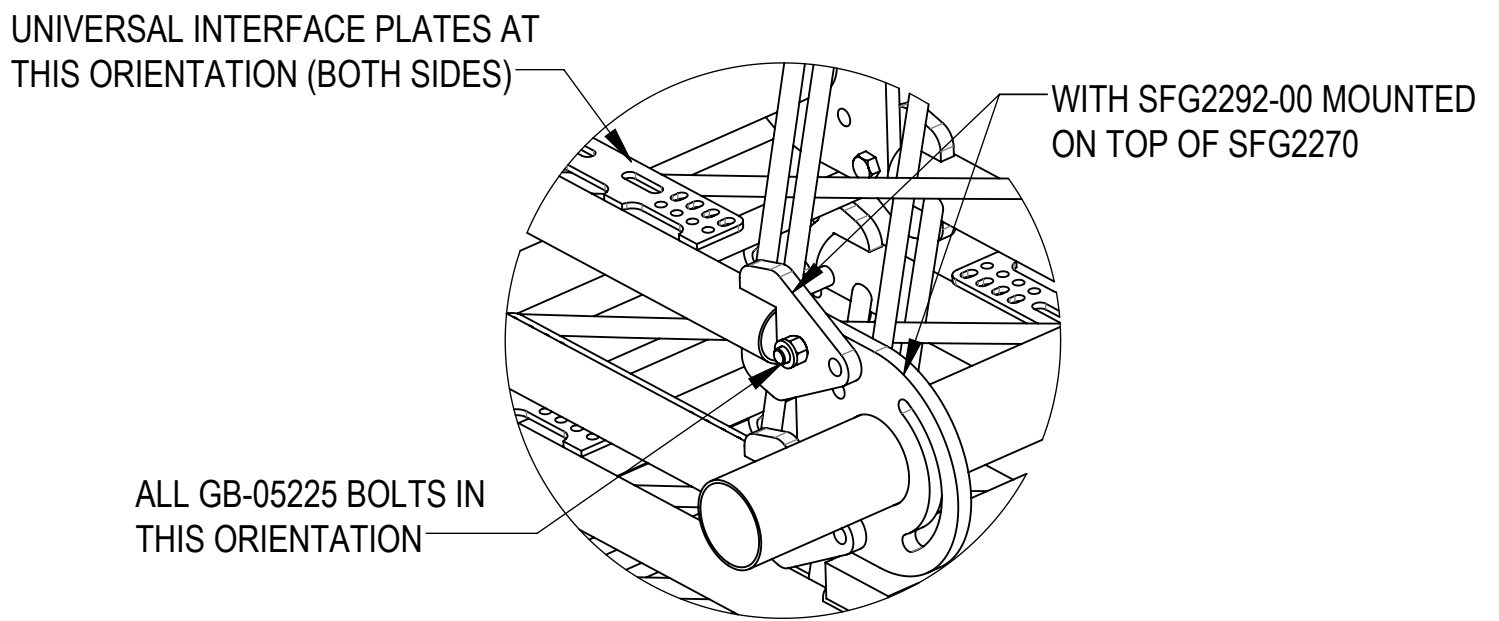
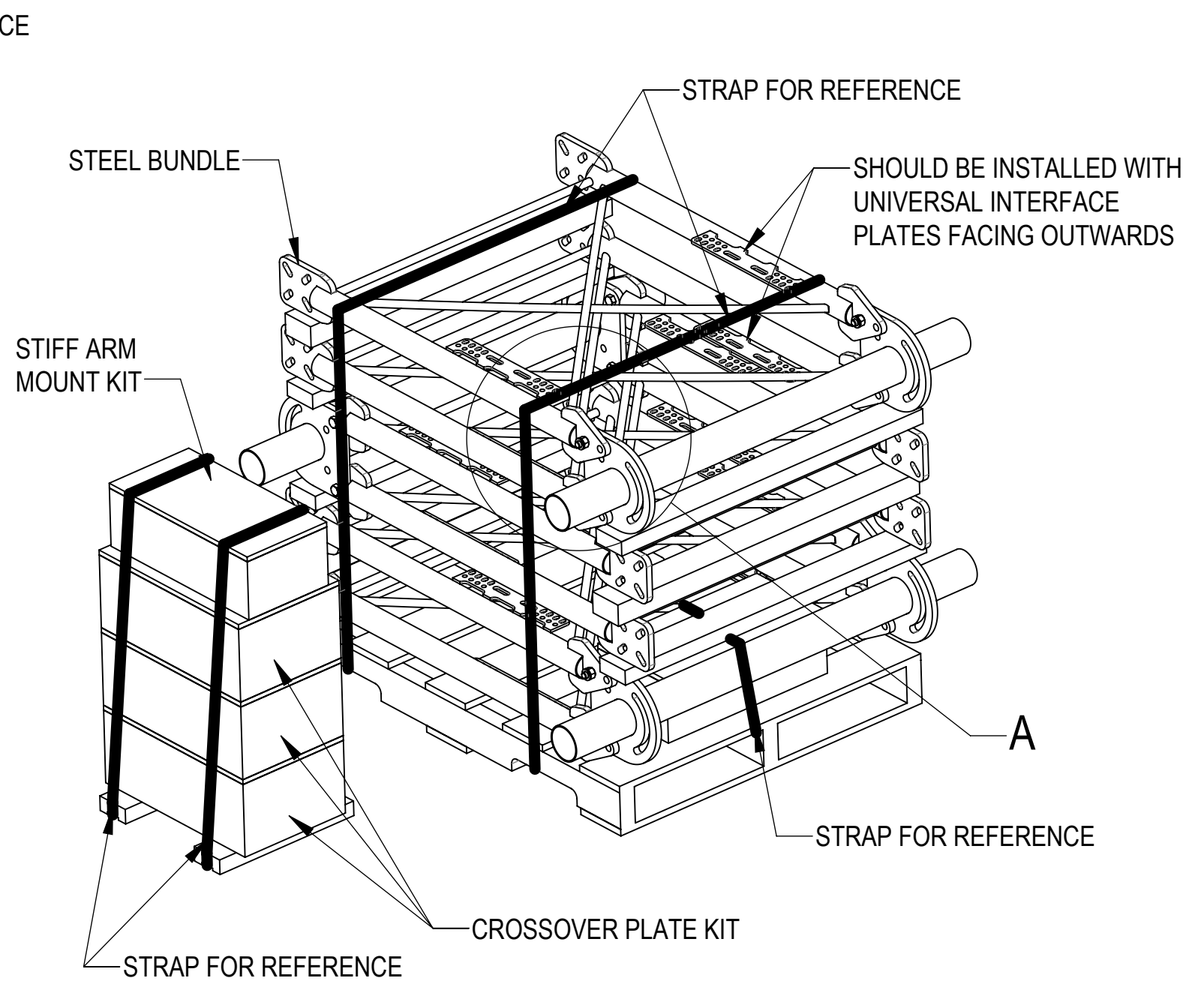
REVISIONS			
REV.	DESCRIPTION	DATE	APPROVED
E	REMOVED SFG2250, UPDATED NOTES	YMENG 17APR23	BA1025 40146772CMO
F	ADDED SHEET 2; ADDED SFG2255 TO THE TOP OF V-ARM	RY1002 08JAN24	YW1045 40185567CMO
G	SHEET 2: ADDED MCG22HDX13-B; MCG22HDX15-B; MCG22HDX13-12-H10; MCG22HDX15-12-H10; MCG22HDX15-15-WLL	JL1183 26FEB24	CB1094 40188553CMO
H	SHEET2: ADDED MCG22HDX-11M-B; MCG22HDX-11-9-120; MCG22HDX-13M-B; MCG22HDX-15M-B. REMOVED MCG22HDX13-B; MCG22HDX15-B	JL1183 07MAY24	CB1094 40194988CMO
F	SFG2292-00 WAS SFG2278; ADDED SHEET 5; CHG STIFF ARM MOUNT KIT AND PIPE BUNDLE FOR MCG22HDX-11-9-120, MCG22HDX-11M-B, MCG22HDX-13M-B & MCG22HDX-15M-B	RY1002 02DEC24	YZ1080 40209667CMO



PIPE BUNDLE



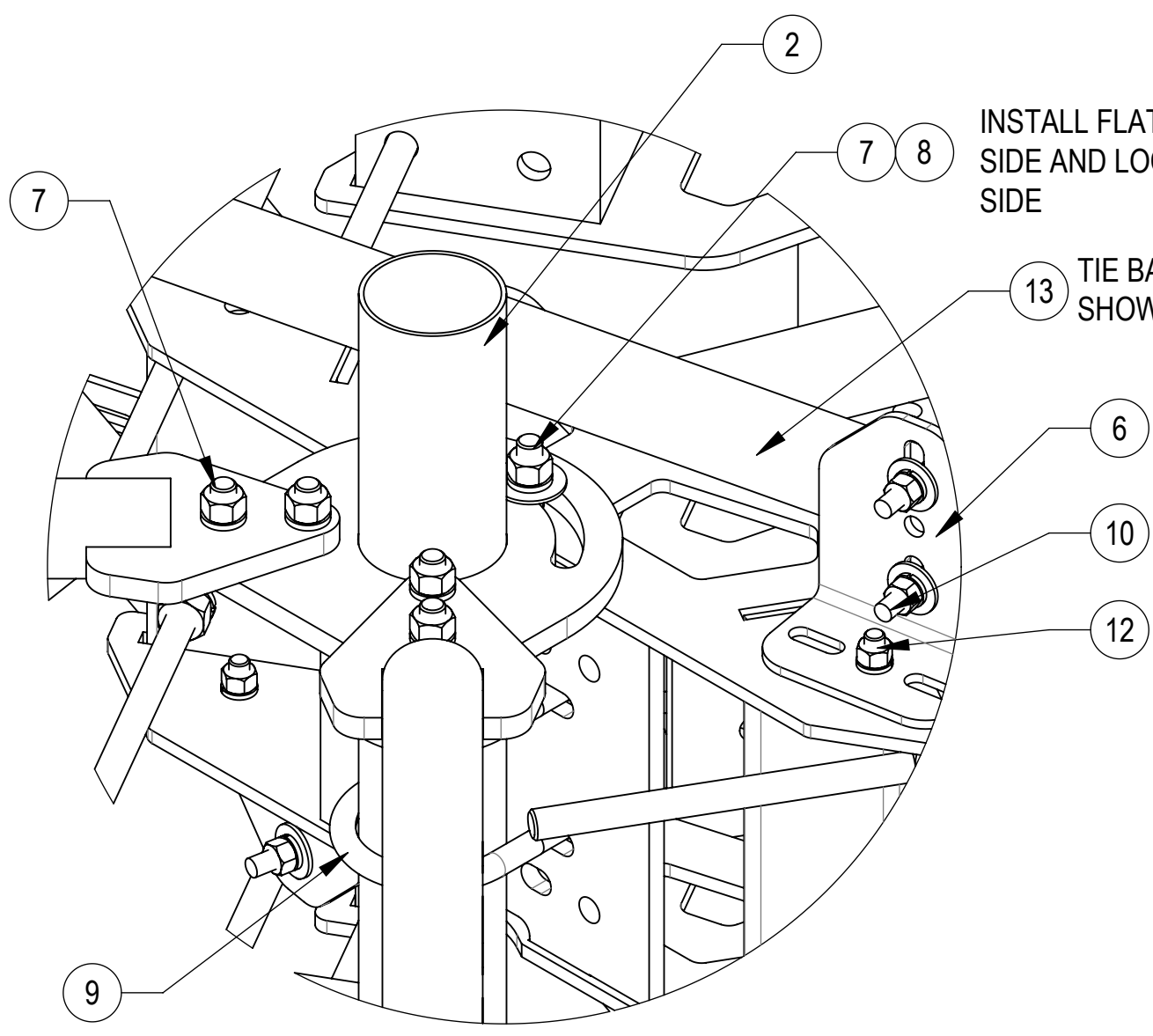
RING MOUNT



DETAIL A SCALE 1:7

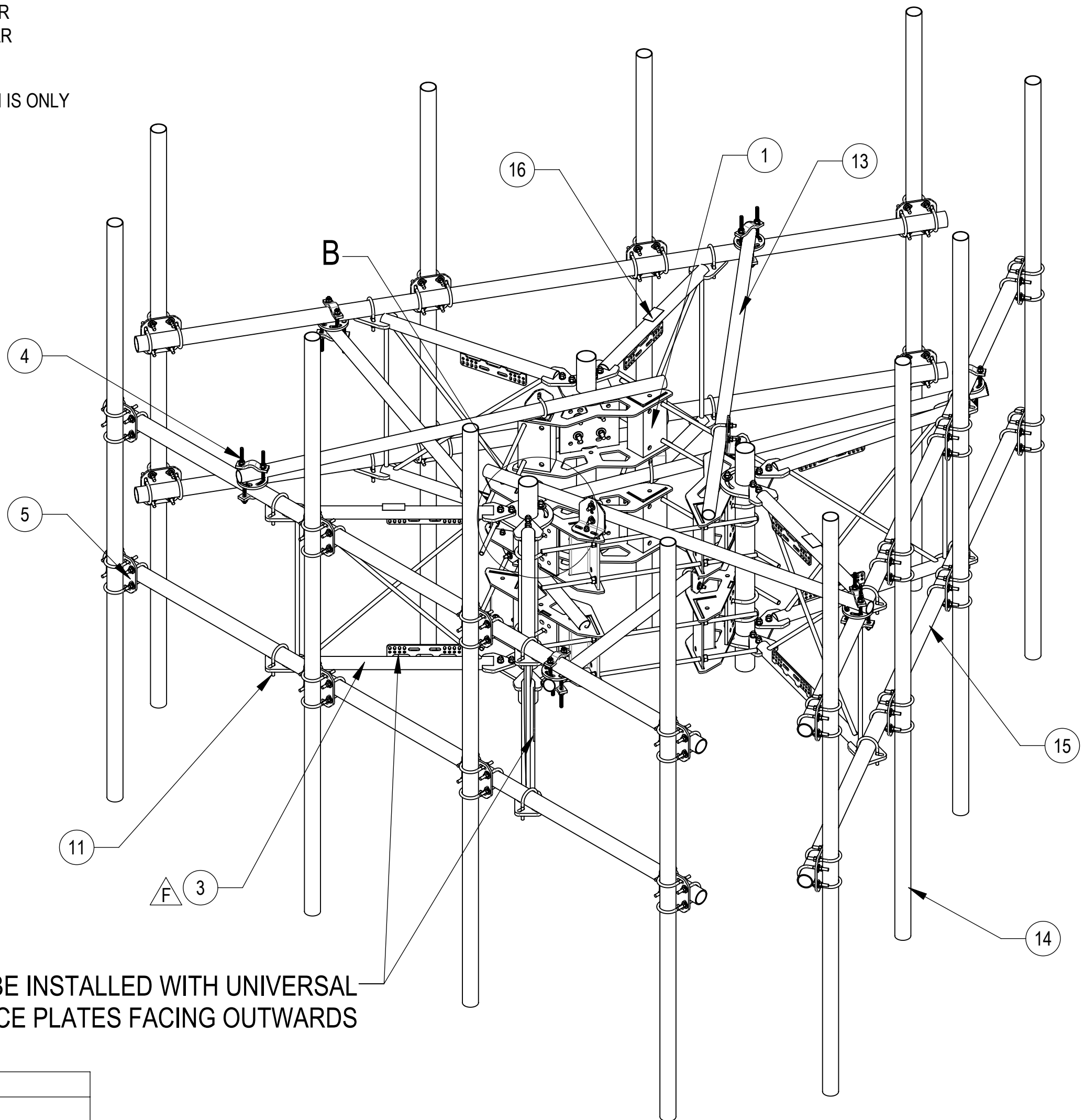
COMMSCOPE, INC. OF NORTH CAROLINA

TOLERANCES		SAP MATERIAL MASTER	
1 PLACE .X[X] ± .25[6.3]	3 PLACE .XXX[X] ± .060[1.5]	SEE TABLE 1	
2 PLACE .XX[X] ± .12[3.0]	ANGLES ± 2°		
FINISH		MATERIAL	
UNLESS OTHERWISE SPECIFIED DIMENSIONS ARE IN INCHES INTERPRET PER ANSI Y 14.5M-1994		MCG22HDX SECTOR FRAME SERIES	
NAME	DATE	TITLE	
CE RJC	03/12/20	MCG22HDX	
RW YMENG	12/17/2024		
AD RY1002	12/17/2024		
RE YMENG	12/17/2024		
ECN 40209667CMO			
SCALE	DOCUMENT NO.		
1:16	MCG22HDX		
SIZE	Auth Group	INSL	MODEL
C	⊕	⚡	VERSION STATUS REVISION
			VERSION STATUS REVISION
			11 RE J
			SHEET 1 OF 9



DETAIL B
SCALE 1 : 4

MCG22HDX-12M12-126 SHOWN FOR REFERENCE
(NOT ALL CONFIGURATIONS INCLUDE ALL ITEMS SEE NOTES IN TABLE)

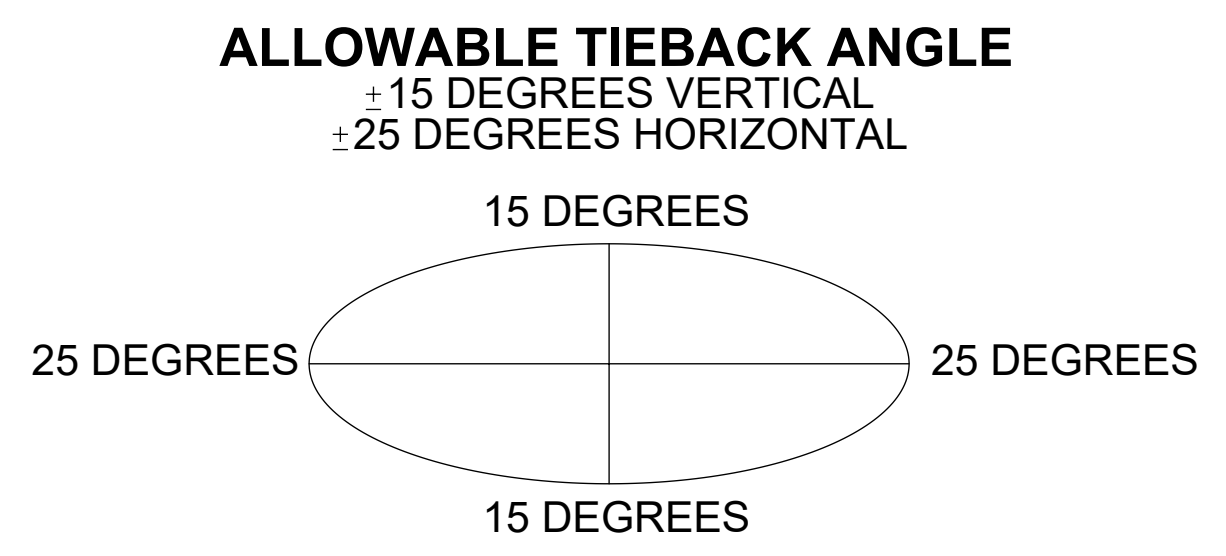


TOP
BOTTOM

COMPONENT PART NUMBERS PROVIDED FOR ASSEMBLY PURPOSES;
INDIVIDUAL COMPONENTS MAY BE SHIPPED AS PARTS WITHIN AN INCLUDED KIT.

ITEM	PART NO.	DESCRIPTION	QTY.	WEIGHT	NOTE NO.
1	MC-RM1550-3	15" - 50" OD RINGMOUNT	2	229.90 LBS	
2	SFG2270	BACK VERTICAL ARM MOUNT	3	36.96 LBS	
3	SFG2292-00	WELDMNT, V-ARM, SECTOR FRAME 22	6	49.69 LBS	
4	XP-R	CROSSOVER PLATE, ROUND, UP TO 3.5" OD	6	6.20 LBS	
5	XP-2525	CROSSOVER PLATE KIT, 2-7/8 OD X 2-7/8 OD	24	12.61 LBS	PART NO. AND QTY SEE INDIVIDUAL DRAWING
6	XAU01	ANGLE, CROSSOVER, 1.9-3.5" X 1.9-3.5" OD	6	2.98 LBS	
7	GB-05225	5/8" X 2-1/4" GALV BOLT KIT	30	0.28 LBS	
8	GWF-05	5/8" GALV FLAT WASHER, 1.7OD	6	0.06 LBS	
9	GUB-53560	5/8" X 3-5/8" X 6" GALV U-BOLT	12	1.30 LBS	
10	GUB-4240	1/2" X 2-1/2" X 4" GALV U-BOLT	6	0.56 LBS	PART NO. AND QTY SEE INDIVIDUAL DRAWING
11	GUB-4352	1/2" X 3" X 5-1/4" GALV U-BOLT	12	0.71 LBS	QTY SEE INDIVIDUAL DRAWING
12	GB-04145	1/2" X 1-1/2" GALV BOLT KIT	6	0.13 LBS	
13	MT-651-84	2.375" OD X 84" PIPE	6	20.35 LBS	PART NO. AND QTY SEE INDIVIDUAL DRAWING
14	MT546126120	PIPE, 2.875"OD X 126"	12	37.21 LBS	PART NO. AND QTY SEE INDIVIDUAL DRAWING
15	MT-546-150	PIPE, 2.875"OD X 150"	6	72.67 LBS	PART NO. AND QTY SEE INDIVIDUAL DRAWING
16	SFG2255	LABEL, SFG22HDX	3	0.04 LBS	

F



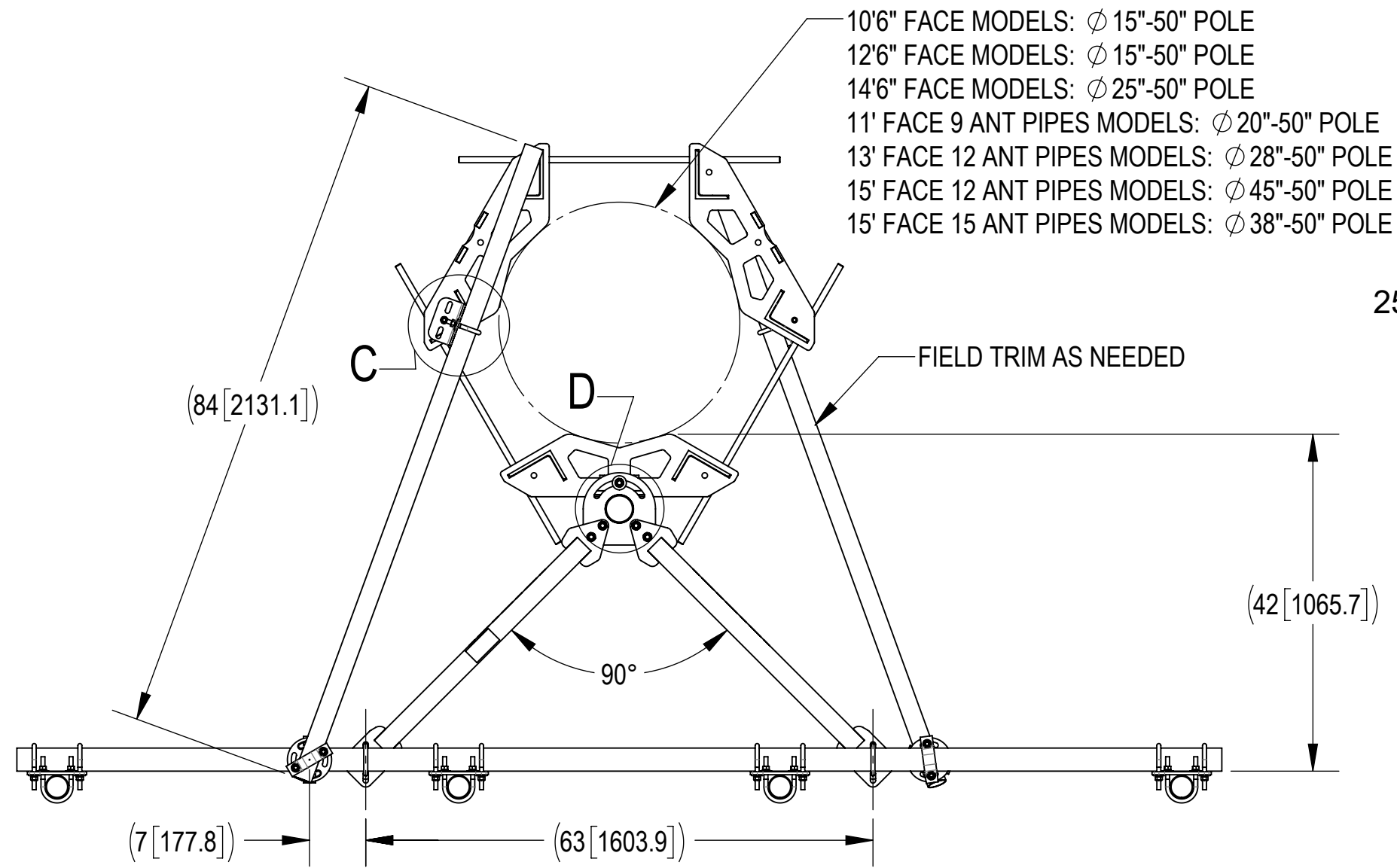
COMMSCOPE, INC. OF NORTH CAROLINA			
TITLE MCG22HDX SECTOR FRAME SERIES			
SIZE C	SCALE 1:18	DOCUMENT NO. MCG22HDX	
DRAWING			SHEET 3 OF 9
VERSION 11	STATUS RE	REVISION J	

4

3

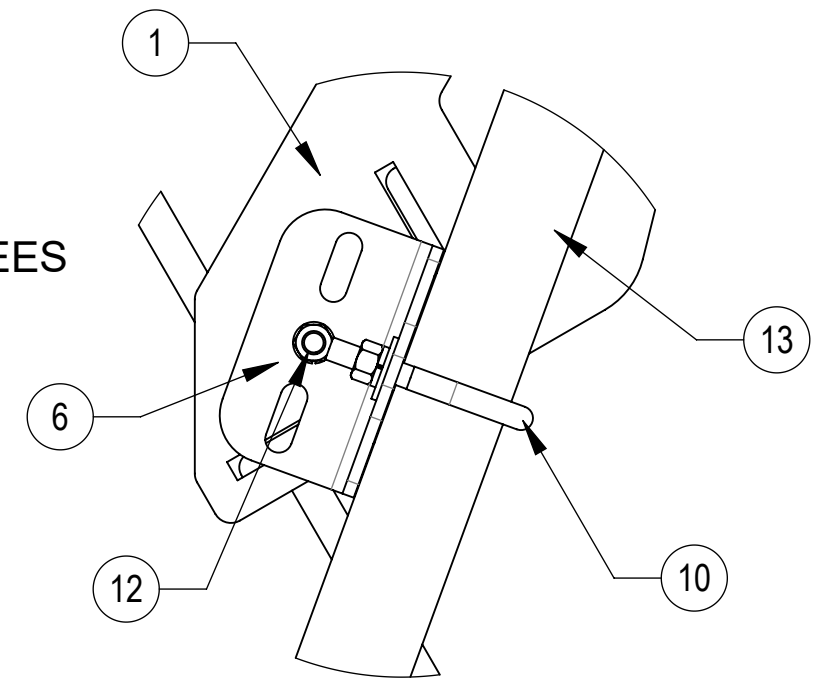
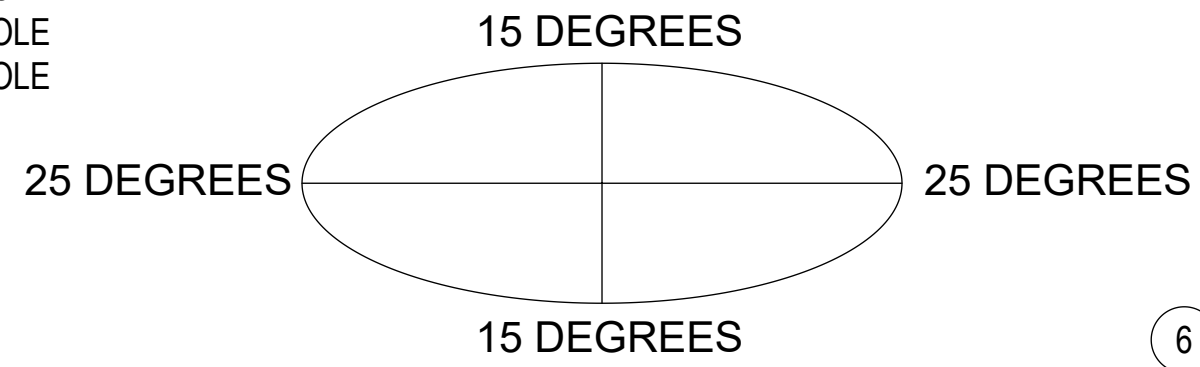
2

1

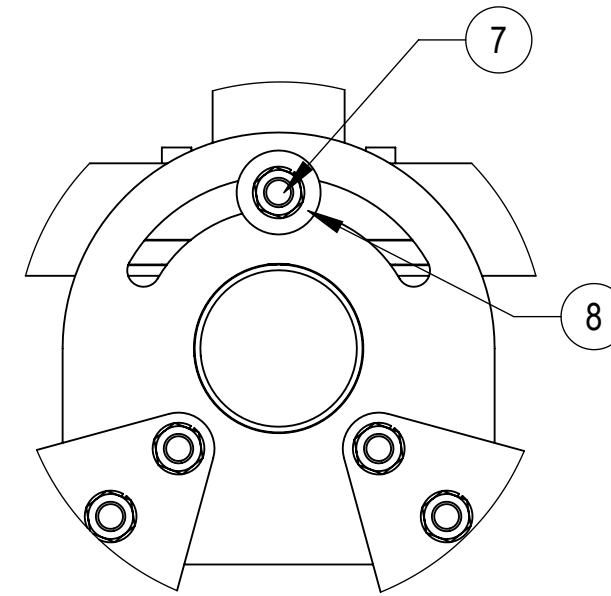


ALLOWABLE TIEBACK ANGLE

± 15 DEGREES VERTICAL
± 25 DEGREES HORIZONTAL

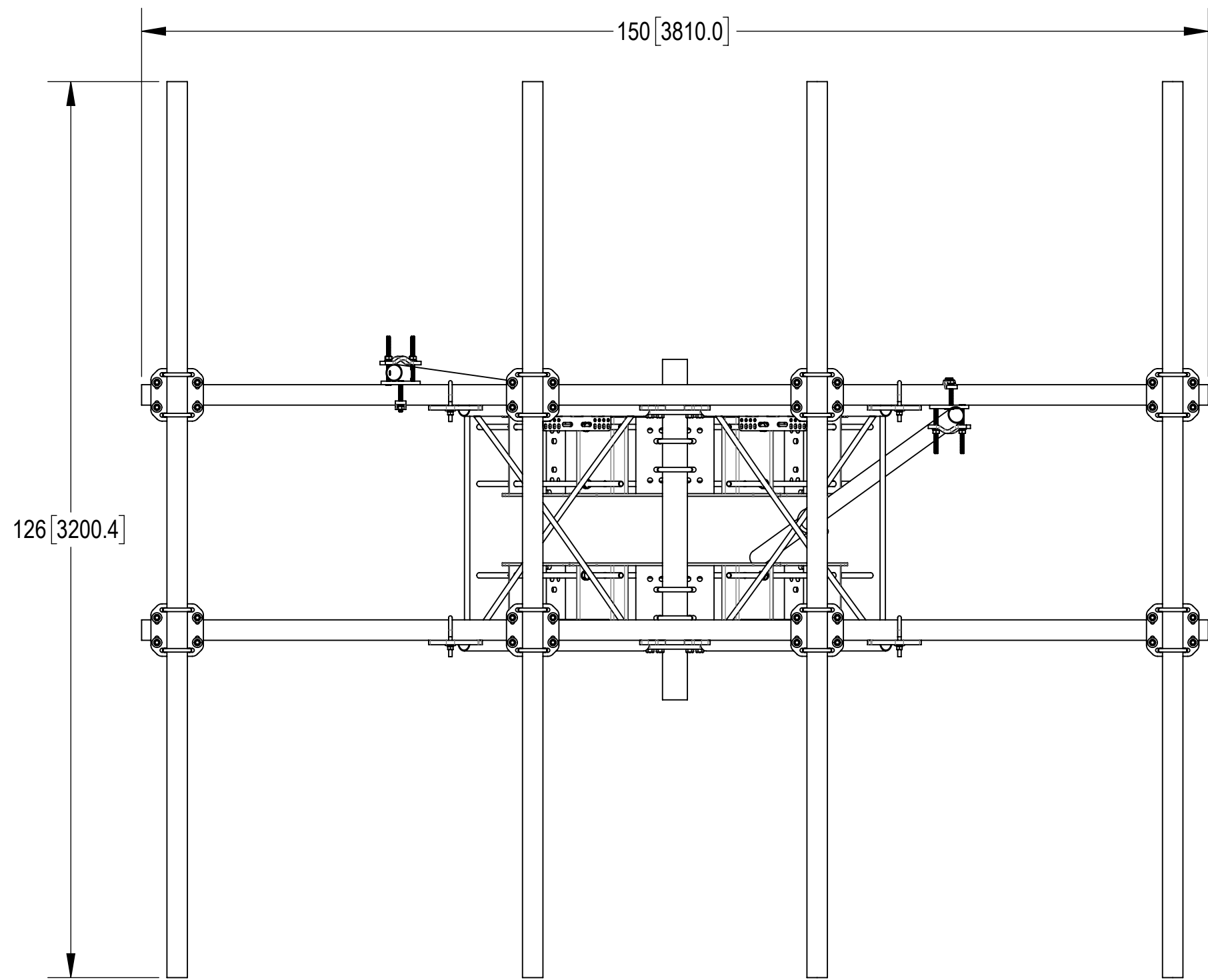


DETAIL C
SCALE 1 : 4

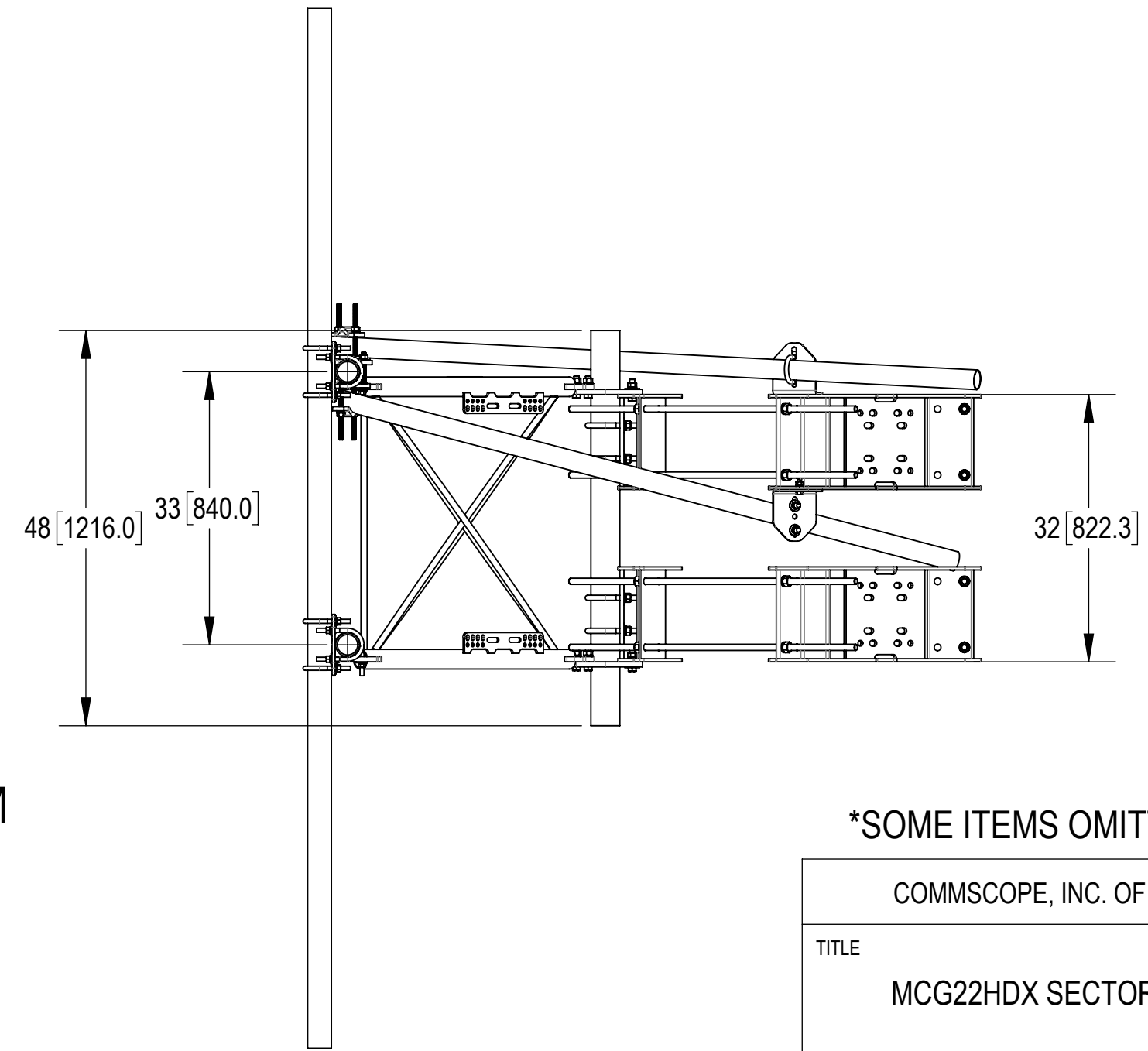


DETAIL D
SCALE 1 : 4

MCG22HDX-12M12-126 SHOWN FOR REFERENCE
(NOT ALL CONFIGURATIONS INCLUDE ALL
ITEMS SEE NOTES IN TABLE ON PAGE 3)



TOP
BOTTOM



SOME ITEMS OMITTED FOR CLARITY

COMMSCOPE, INC. OF NORTH CAROLINA				
TITLE MCG22HDX SECTOR FRAME SERIES				
SIZE C	SCALE 1:20	DOCUMENT NO. MCG22HDX		
		DRAWING		SHEET
		VERSION	STATUS	REVISION
		11	RE	J
				4 OF 9

4

3

2

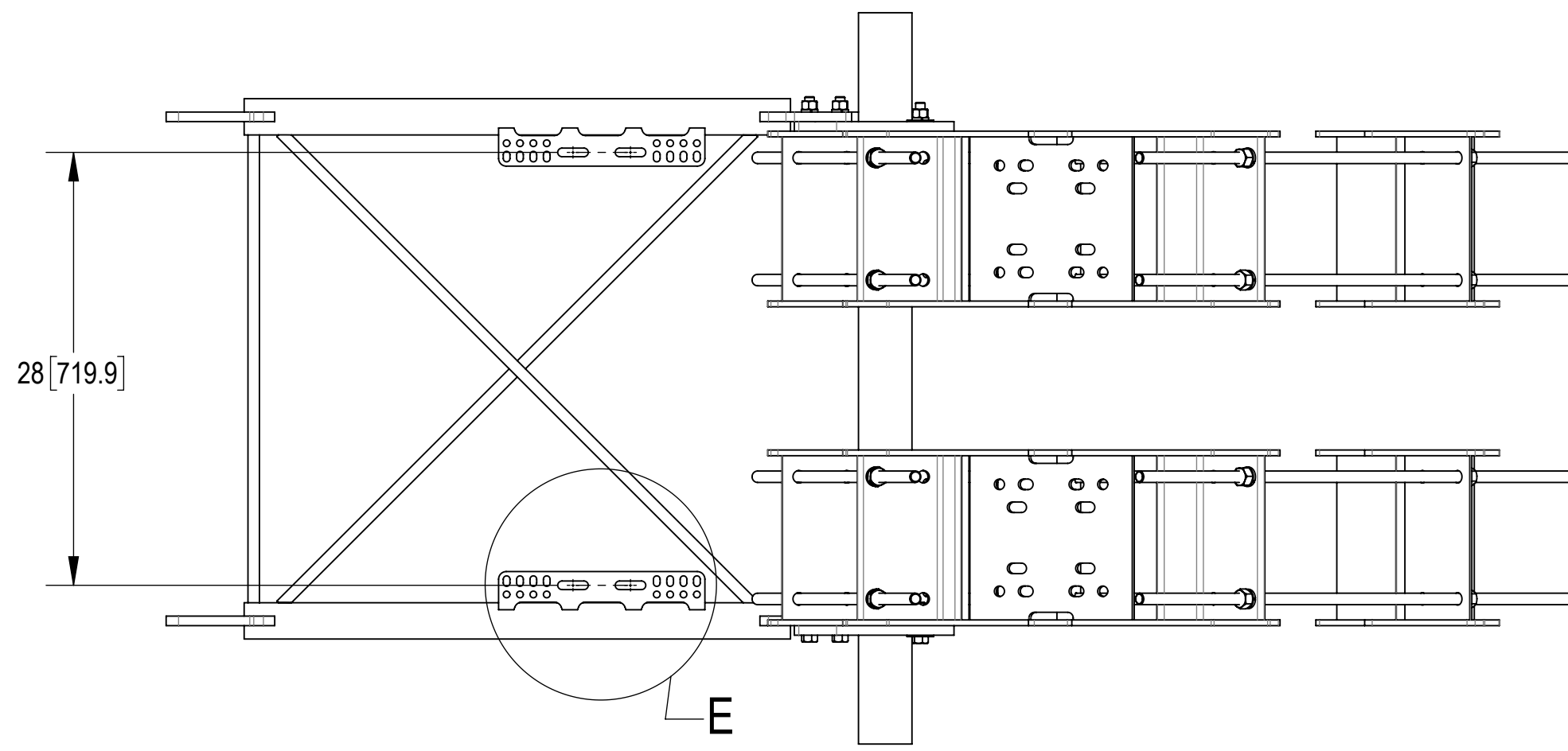
1

4

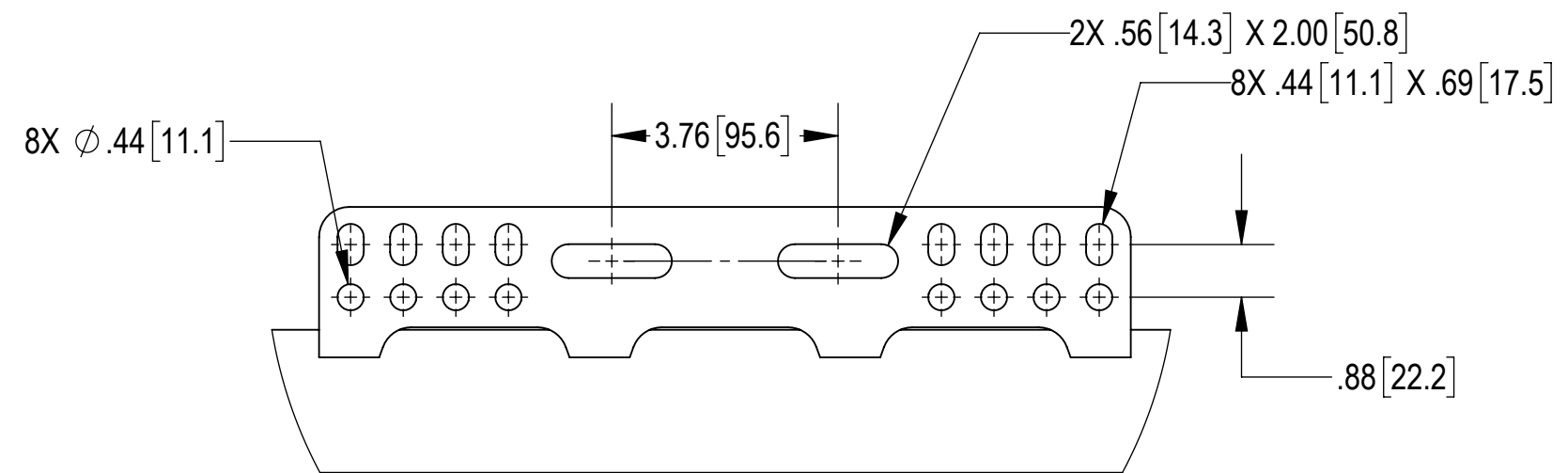
3

2

1



SIDE VIEW



DETAIL E
SCALE 1 : 3

COMMSCOPE, INC. OF NORTH CAROLINA

TITLE
MCG22HDX SECTOR FRAME SERIES

SIZE C	SCALE 1:10	DOCUMENT NO. MCG22HDX			
		DRAWING			SHEET 5 OF 9
		VERSION 11	STATUS RE	REVISION J	

4

3

2

1

D

D

C

C

B

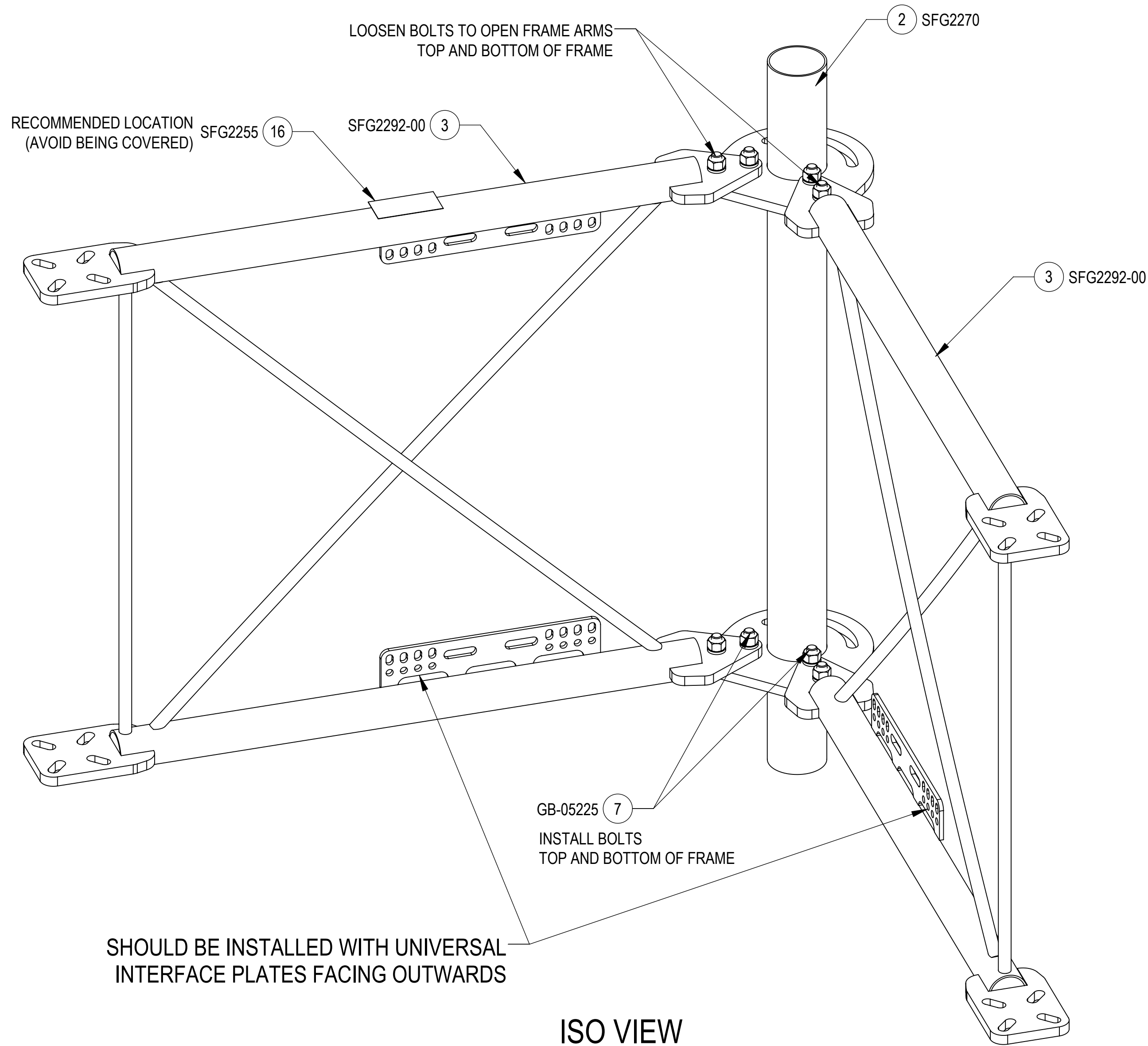
B

A

A

INSTALLATION SEQUENCE - REFERENCE ONLY

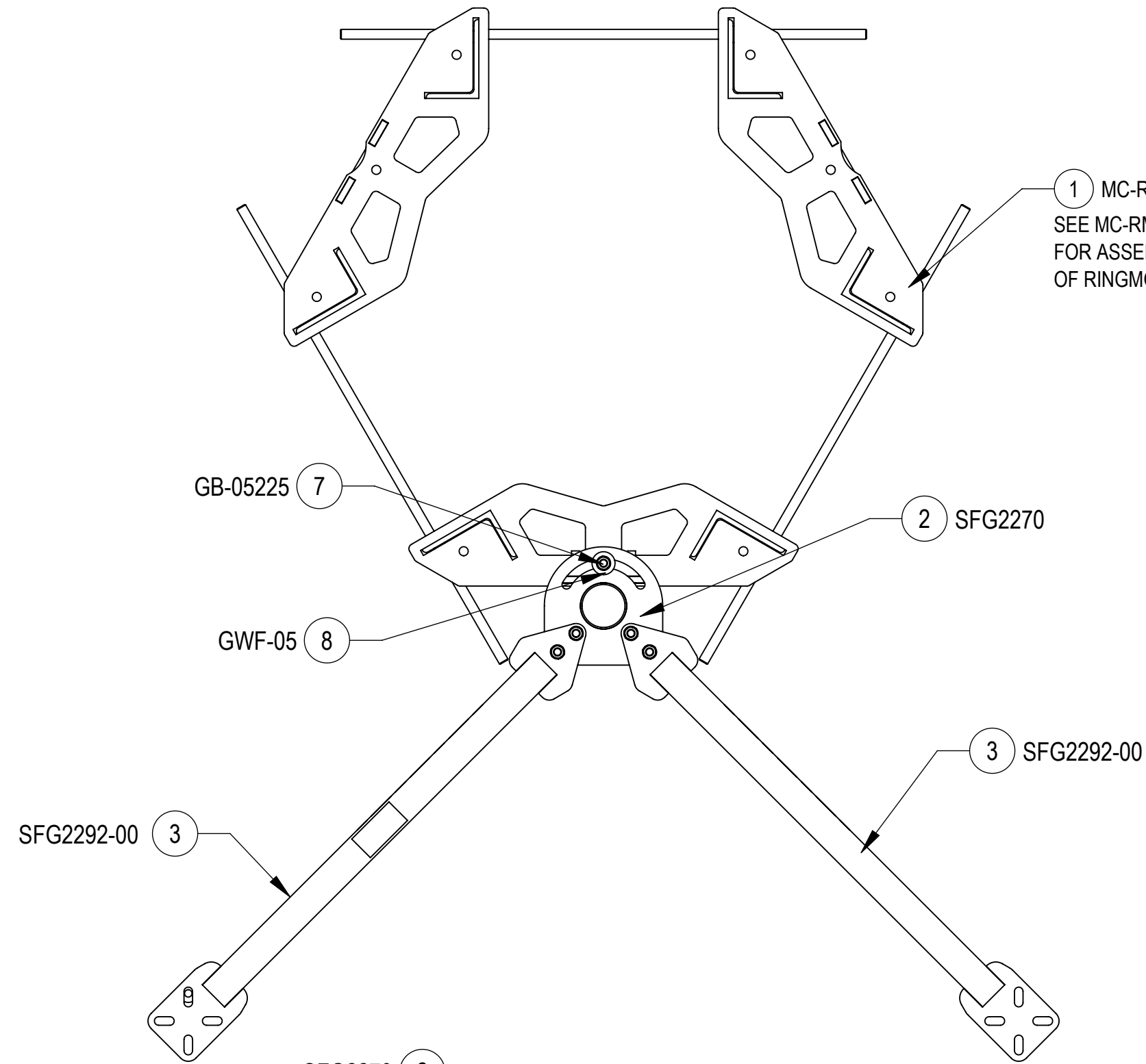
STEP 1: LOOSEN BOLT KITS (GB-05225) TO OPEN FRAME SUPPORT ARMS. INSTALL ADDITIONAL 4X BOLT KITS (GB-05225). ATTACH LABEL (SFG2255) ON TOP OF V-ARM (SFG2292-00). (WIPE GALVANIZED SURFACE WITH ALCOHOL CLEANER BEFORE APPLYING LABEL)



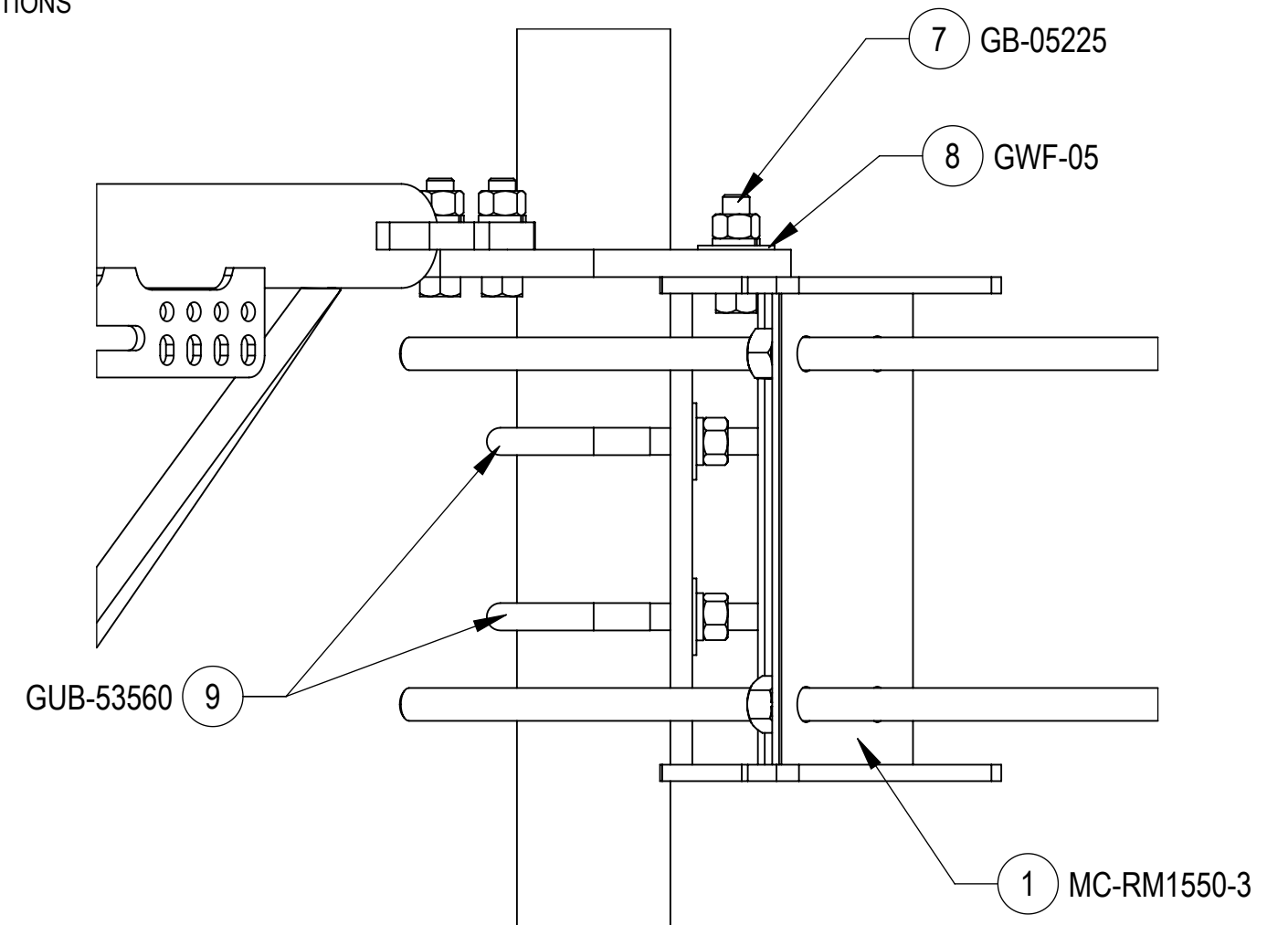
ISO VIEW

COMMSCOPE, INC. OF NORTH CAROLINA				
TITLE MCG22HDX SECTOR FRAME SERIES				
SIZE C	SCALE 1:32	DOCUMENT NO. MCG22HDX		
		DRAWING		SHEET
		VERSION	STATUS	REVISION
		11	RE	J
				SHEET 6 OF 9

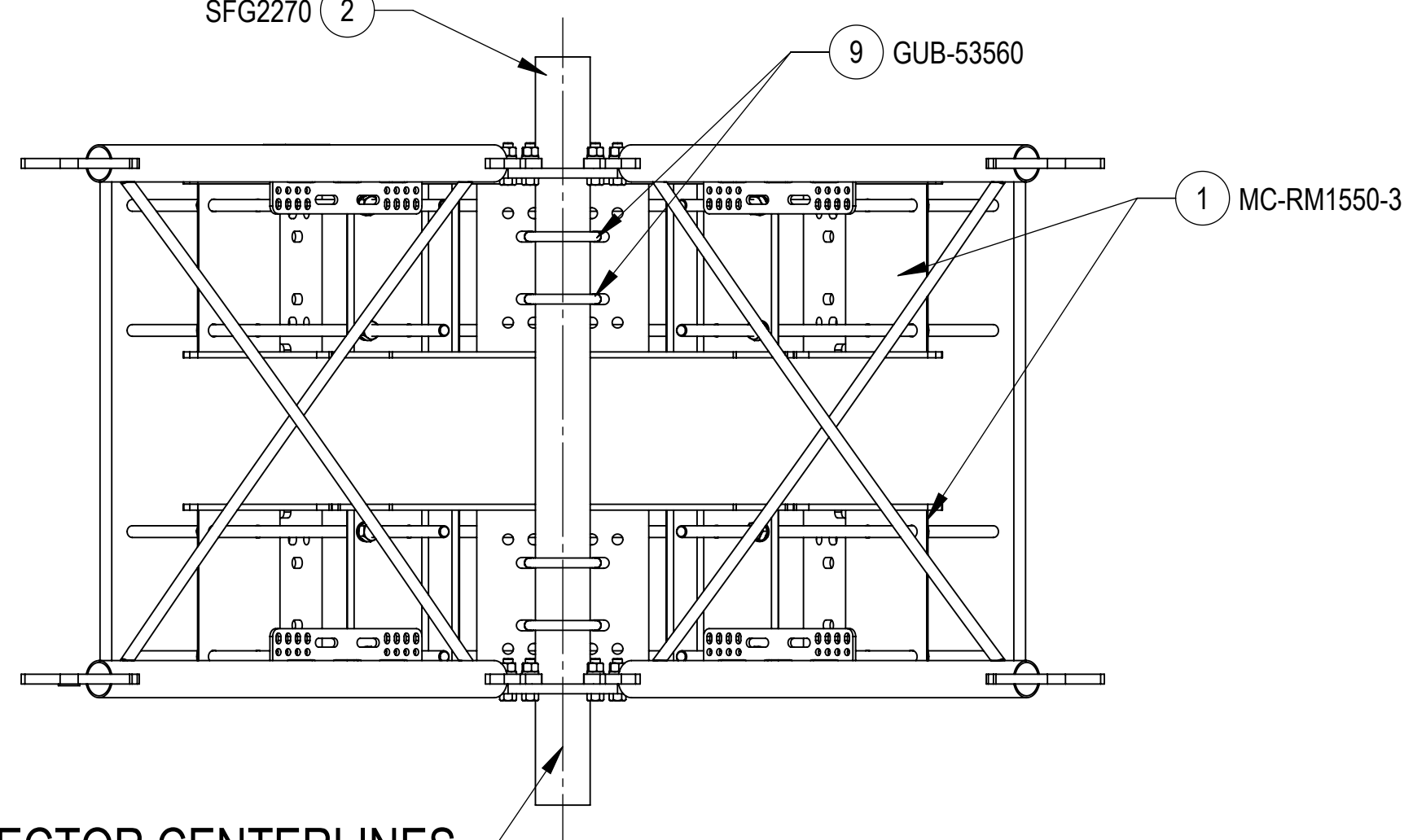
STEP 2: ATTACH BACK VERTICAL ARM MOUNT (SFG2270) TO RINGMOUNT (MC-RM1550-3) USING BOLT KITS (GB-05225), FLAT WASHERS (GWF-05) AND U-BOLTS (GUB-53560).



1 MC-RM1550-3
SEE MC-RM1550-3 DRAWING
FOR ASSEMBLY INSTRUCTIONS
OF RINGMOUNT



SIDE CROP VIEW

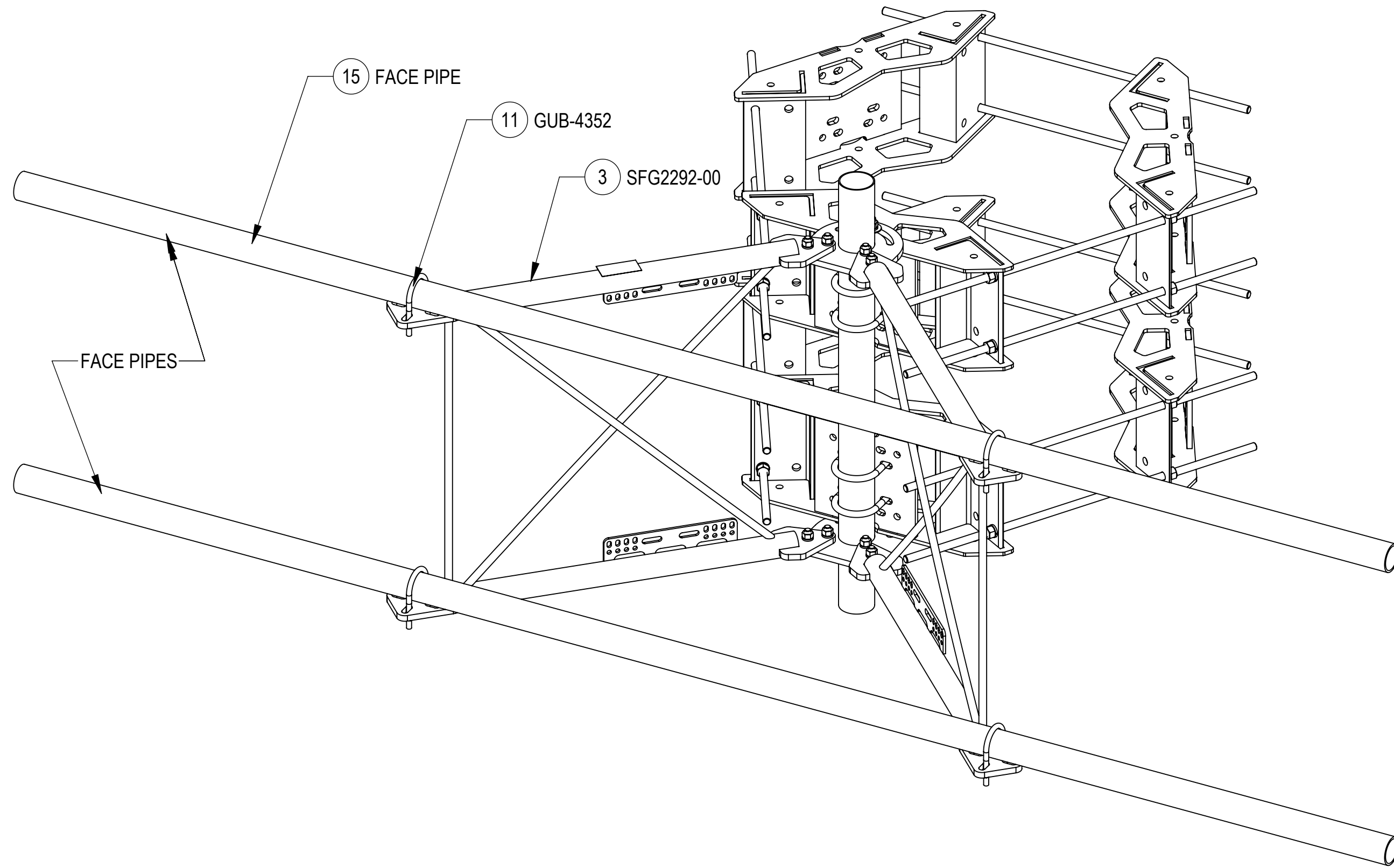


TOP
↓
BOTTOM

RINGMOUNT SECTOR CENTERLINES
MUST VERTICALLY ALIGN TO ALLOW
SECTOR FRAME SPINE PROPER MOUNTING

COMMSCOPE, INC. OF NORTH CAROLINA				
TITLE MCG22HDX SECTOR FRAME SERIES				
SIZE C	SCALE 1:32	DOCUMENT NO. MCG22HDX		
		DRAWING		SHEET
		VERSION	STATUS	REVISION
		11	RE	J
				SHEET 7 OF 9

STEP 3: ATTACH FACE PIPES TO V-ARM (SFG2292-00) USING U-BOLTS (GUB-4352)

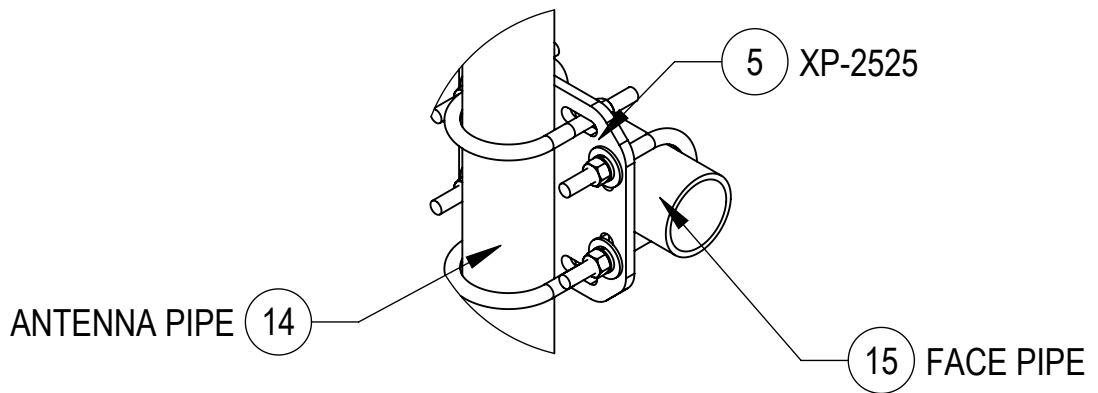
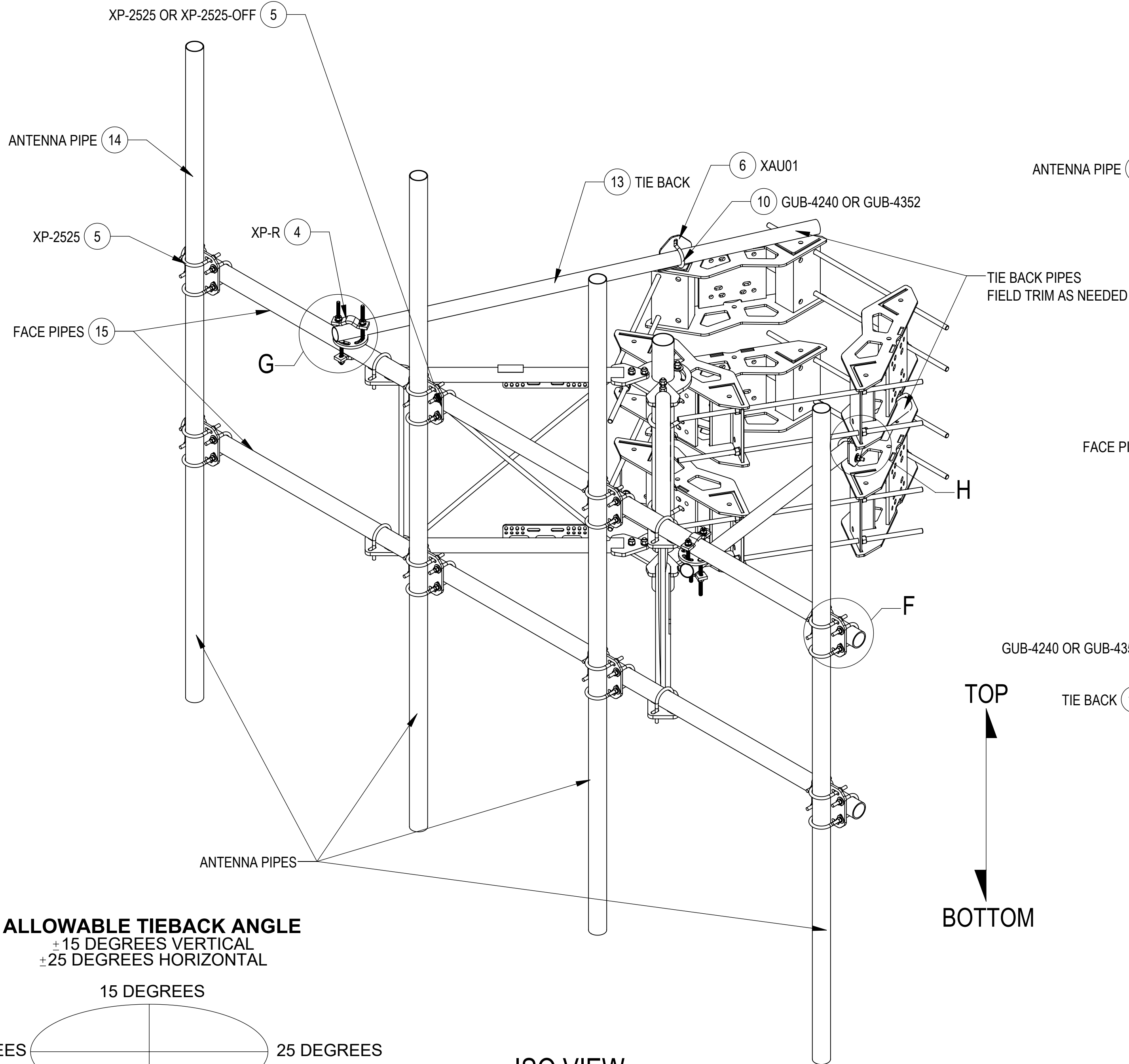


ISO VIEW

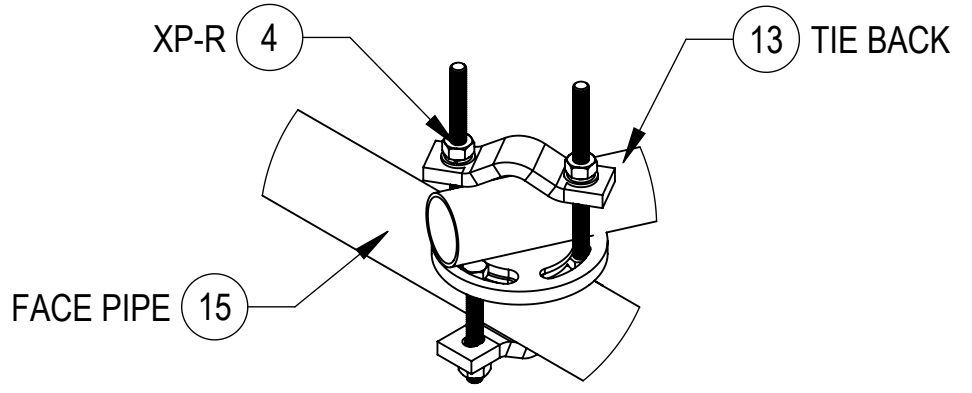
SOME ITEMS OMITTED FOR CLARITY

COMMSCOPE, INC. OF NORTH CAROLINA				
TITLE MCG22HDX SECTOR FRAME SERIES				
SIZE C	SCALE 1:10	DOCUMENT NO. MCG22HDX		
		DRAWING		SHEET
		VERSION 11	STATUS RE	REVISION J
				8 OF 9

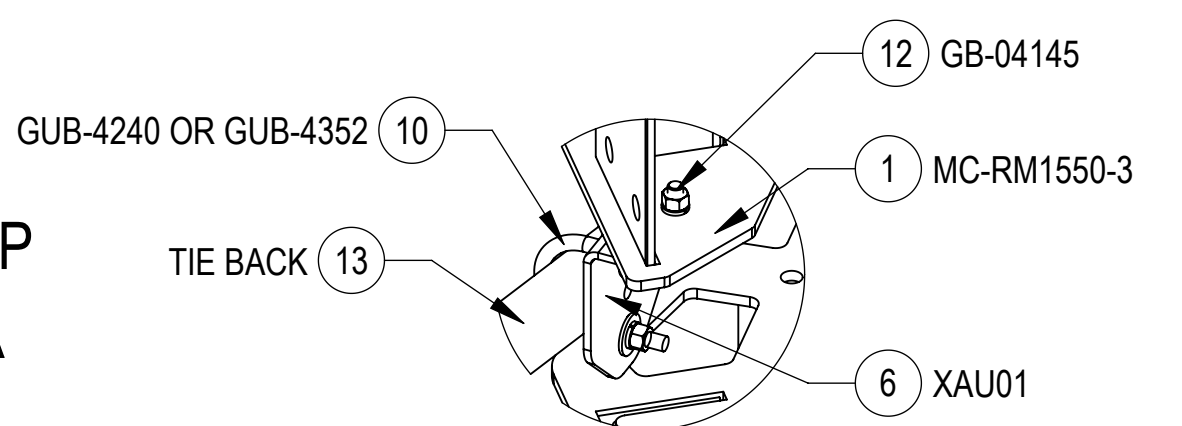
STEP 4: ATTACH ANTENNA PIPES TO FACE PIPES USING CROSSOVER PLATE KITS(XP-2525 OR XP-2525-OFF).
 ATTACH TIE BACK PIPES TO FACE PIPES USING ROUND CROSSOVER PLATE KITS (XP-R).



DETAIL F
SCALE 1 : 6

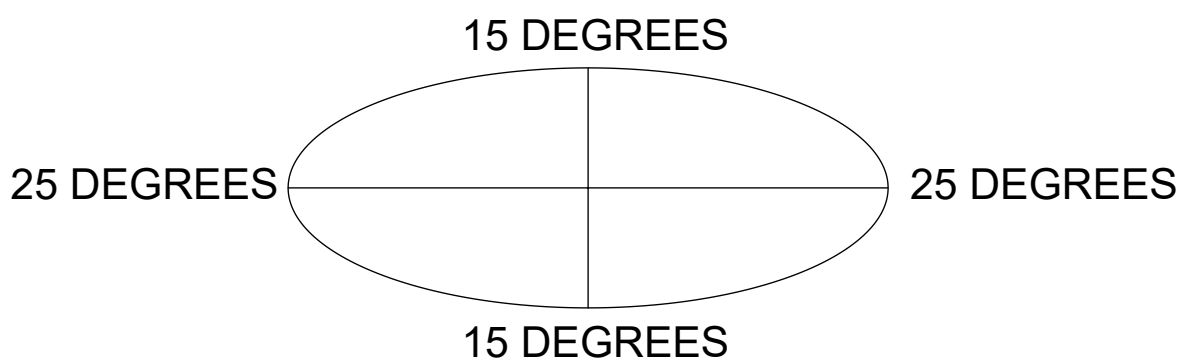


DETAIL G
SCALE 1 : 6



DETAIL H
SCALE 1 : 6

ALLOWABLE TIEBACK ANGLE
 ±15 DEGREES VERTICAL
 ±25 DEGREES HORIZONTAL



ISO VIEW

SOME ITEMS OMITTED FOR CLARITY

COMMSCOPE, INC. OF NORTH CAROLINA				
TITLE MCG22HDX SECTOR FRAME SERIES				
SIZE C	SCALE 1:10	DOCUMENT NO. MCG22HDX		
		DRAWING		SHEET
		VERSION 11	STATUS RE	REVISION J
				9 OF 9