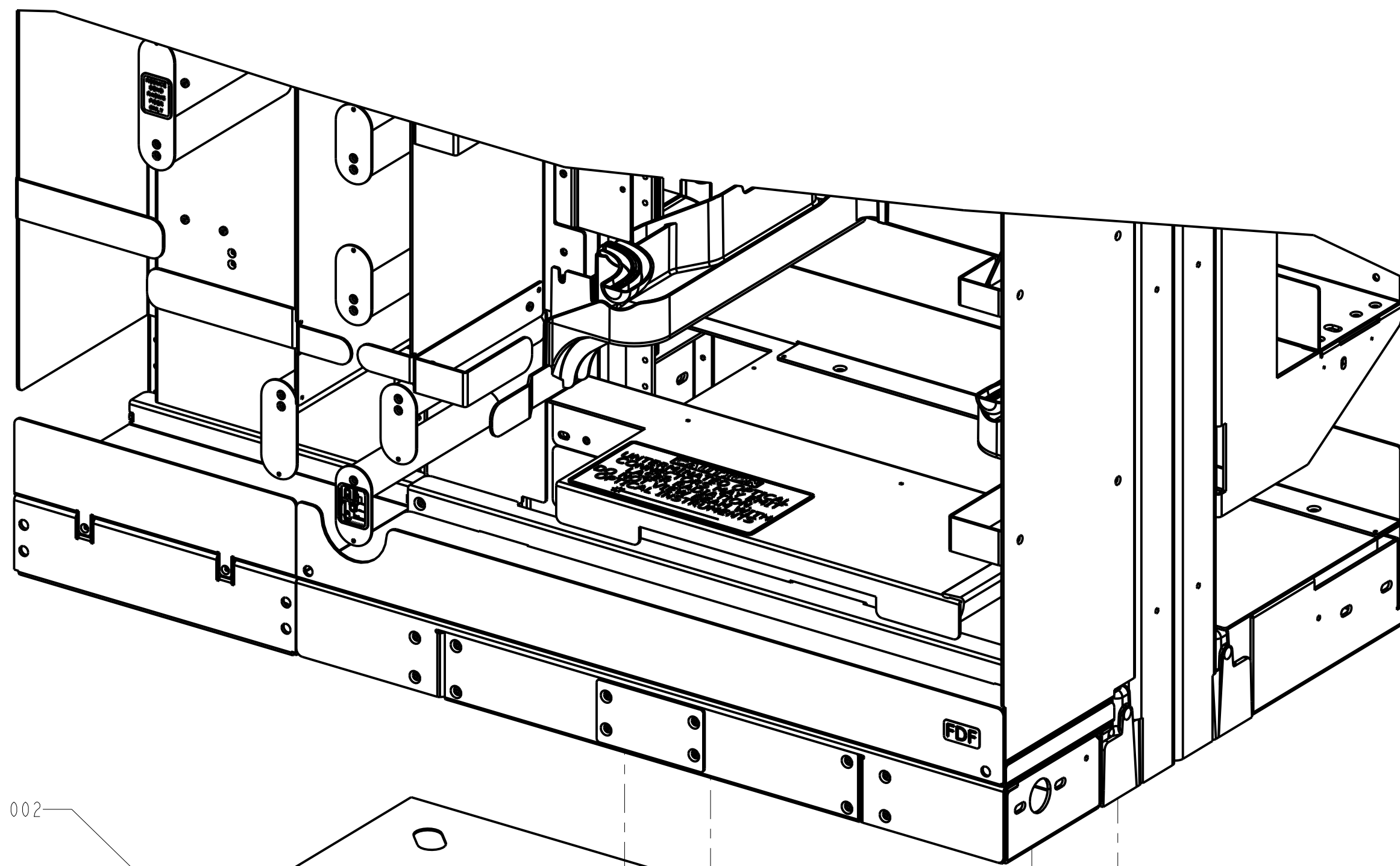
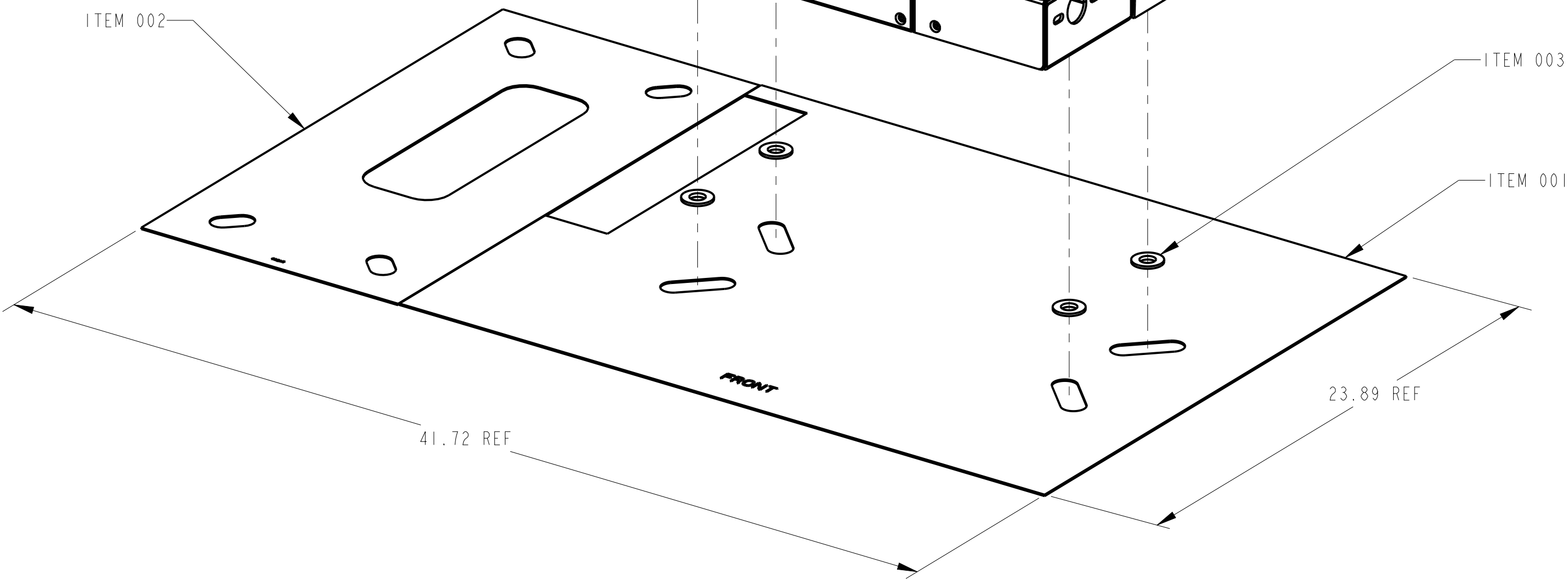


| REV | MCO | DWN | DATE |
|-----|------------|-----|-----------|
| B | 20343211 | JCA | 15-JUL-13 |
| C | 8000019180 | SC | 19-JAN-17 |



| PARTS LIST | | |
|------------|-----------------------|-----|
| ITEM | DESCRIPTION | QTY |
| 001 | NG4 FRAME ISO PAD | 1 |
| 002 | FOTSP ISO PAD | 1 |
| 003 | NYLON SHOULDER WASHER | 4 |



NOTES:

- ISOLATION PAD BE USED AS AN INSTALLATION TEMPLATE ON CONCRETE OR RAISED FLOOR.
- USE SHOULDER WASHER TO ISOLATE INSTALLATION BOLTS FROM FRAME.

COMMSCOPE, INC.

CAT: NG4-ACCISOP1FRM

| | | | |
|--|--|--|-------------|
| <small>© 2016 COMMSCOPE, INC. CONFIDENTIAL NOTICE: THESE DRAWINGS AND SPECIFICATIONS ARE THE PROPRIETARY PROPERTY OF COMMSCOPE, INC. AND MAY BE USED ONLY FOR THE SPECIFIC PURPOSE AUTHORIZED IN WRITING BY COMMSCOPE, INC.</small> | | TITLE INSTALL DRW, ISO PAD KIT FOTSP/NGA FRAME | |
| <small>ALL DIMS AND TOLERANCES ARE INCHES UNLESS OTHERWISE SPECIFIED</small> | | DRAWING NUMBER 300001775934 | C REV |
| DO NOT SCALE DRAWING | | ENGR: JIM SOLHEID DWN: SOUTSADA VONGSENG | SHT. 1 OF 1 |

DIMENSIONS IN INCHES
 THIRD ANGLE PROJECTION