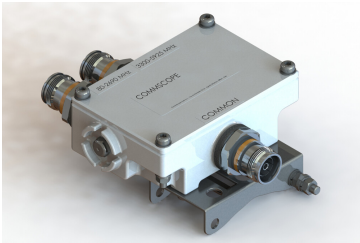


SDX159-DL-43 | E14F06P06



Ultra Compact Single Diplexer 80-2690/3300-5925, DC Low, 4.3-10 connectors

- Ideal for small cell applications
- Compact form factor with reduced size and weight
- Suitable for space limited applications like Metro Cell, Lamp Pole, Concealment Solution and Macro Site
- New 4.3-10 connectors for improved PIM performance and size reduction
- Single configuration
- dc/AISG pass-through on low frequency ports

Product Classification

Product Type Diplexer

General Specifications

Color Gray

Modularity 1-Single

Mounting Pole | Wall

Mounting Pipe Hardware Band clamps (2)

RF Connector Interface 4.3-10 Female

Dimensions

Height 71 mm | 2.795 in

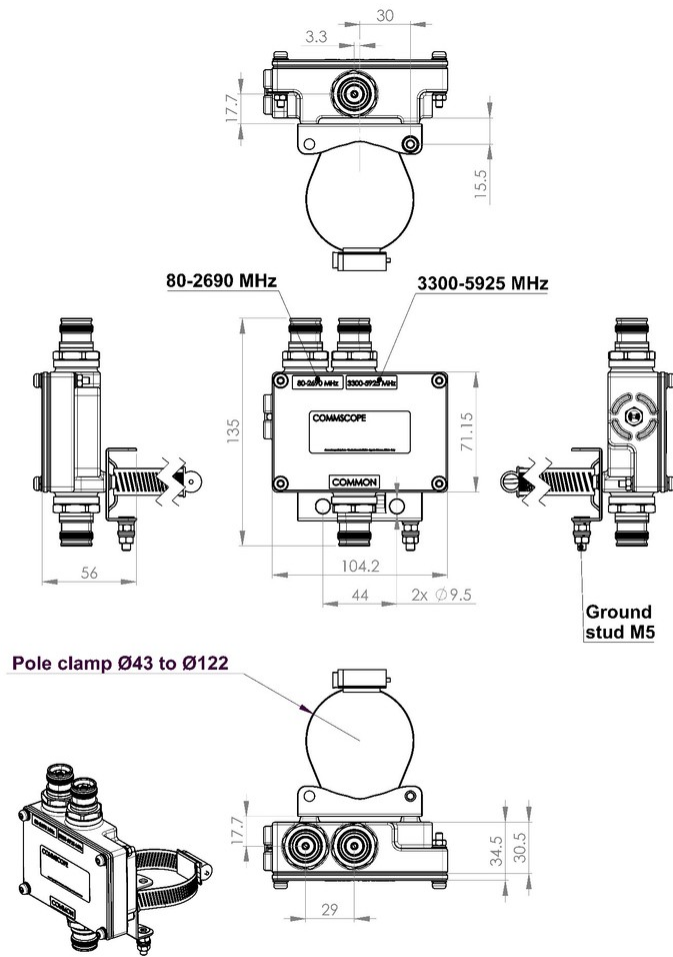
Width 104 mm | 4.094 in

Depth 34.5 mm | 1.358 in

Mounting Pipe Diameter Range 42.6–122 mm

Outline Drawing

SDX159-DL-43 | E14F06P06



Electrical Specifications

Impedance	50 ohm
License Band, Band Pass	APT 700 AWS 1700 AWS 2000 CEL 850 CEL 900 DCS 1800 IMT 2100 IMT 2600 LAA 5000 LMR 750 LMR 800 NMT 450 PCS 1900 SDL 1400 TDD 2300 TDD 2600 TDD 3500 TDD 5000 USA 600 USA 700 USA 750 WCS 2300

Electrical Specifications, dc Power/Alarm

dc/AISG Pass-through, combiner	Branch 1
dc/AISG Pass-through, demultiplexer	Branch 1
Lightning Surge Current	5 kA
Lightning Surge Current Waveform	8/20 waveform

SDX159-DL-43 | E14F06P06

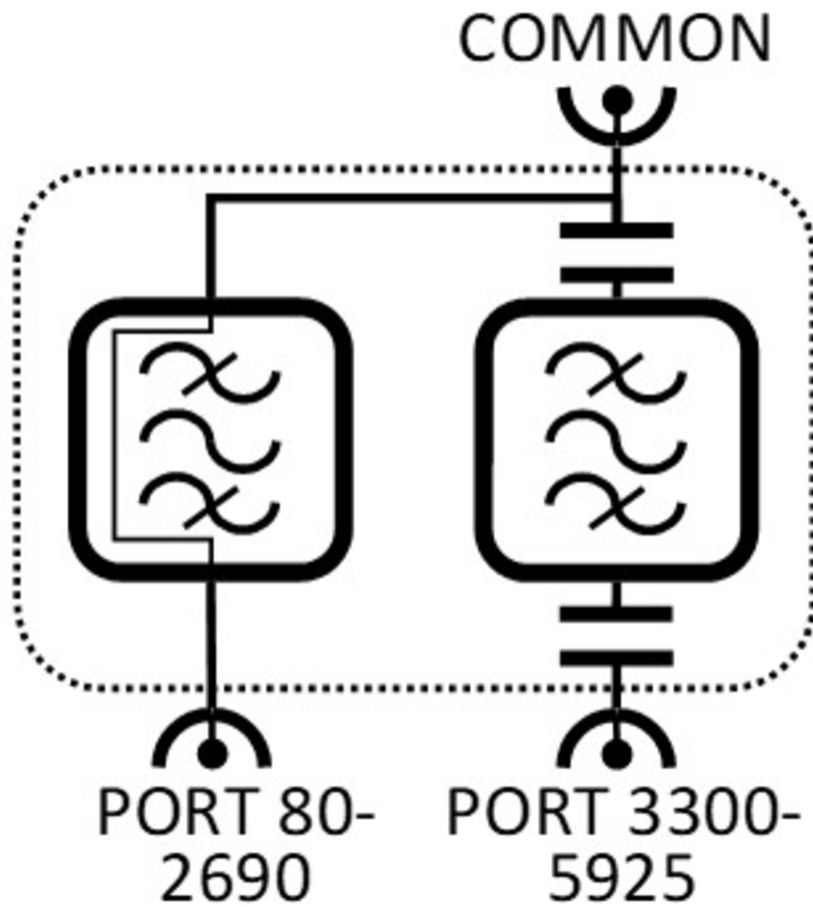
Electrical Specifications

Sub-module	1 2	1 2
Branch	1	2
Port Designation	PORT 1 80-2690	PORT 2 3300-5925

Electrical Specifications, Band Pass

Frequency Range, MHz	80–2690	3300–5925
Insertion Loss, typical, dB	0.2	0.2
Return Loss, typical, dB	20	20
Isolation, typical, dB	52	52
Input Power, RMS, maximum, W	100	100
Input Power, PEP, maximum, W	1000	1000
3rd Order PIM, typical, dBc	-161	-161
3rd Order PIM Test Method	Two +43 dBm carriers	Two +43 dBm carriers

Block Diagram



Environmental Specifications

Operating Temperature	-40 °C to +65 °C (-40 °F to +149 °F)
Corrosion Test Method	IEC 60068-2-11, 30 days
Environmental Test Method	ETSI EN 300 019-1-4
Ingress Protection Test Method	IEC 60529:2001, IP67

Packaging and Weights

Included	Mounting hardware
Volume	0.26 L
Weight, with mounting hardware	0.85 kg 1.874 lb
Weight, without mounting hardware	0.75 kg 1.653 lb