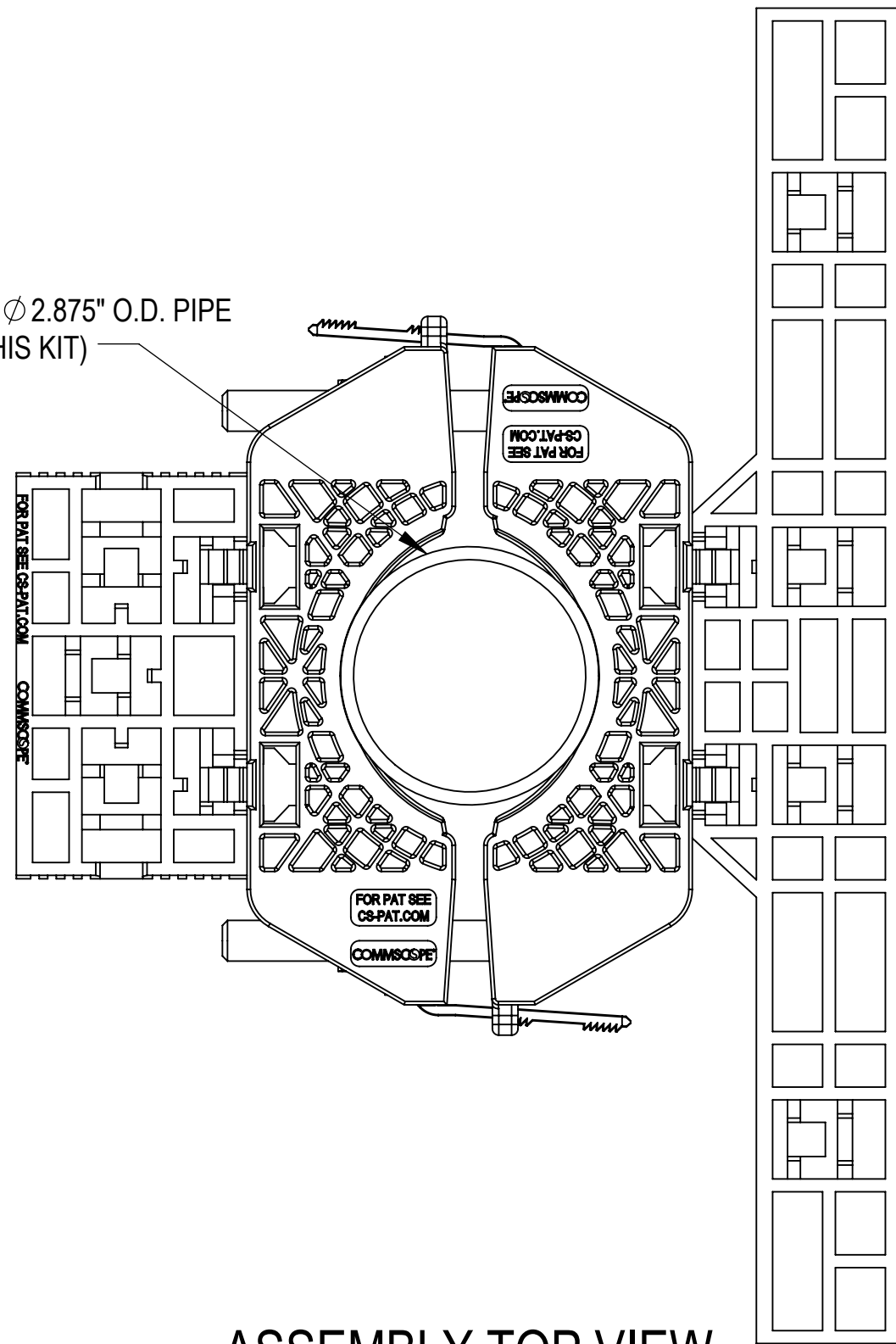


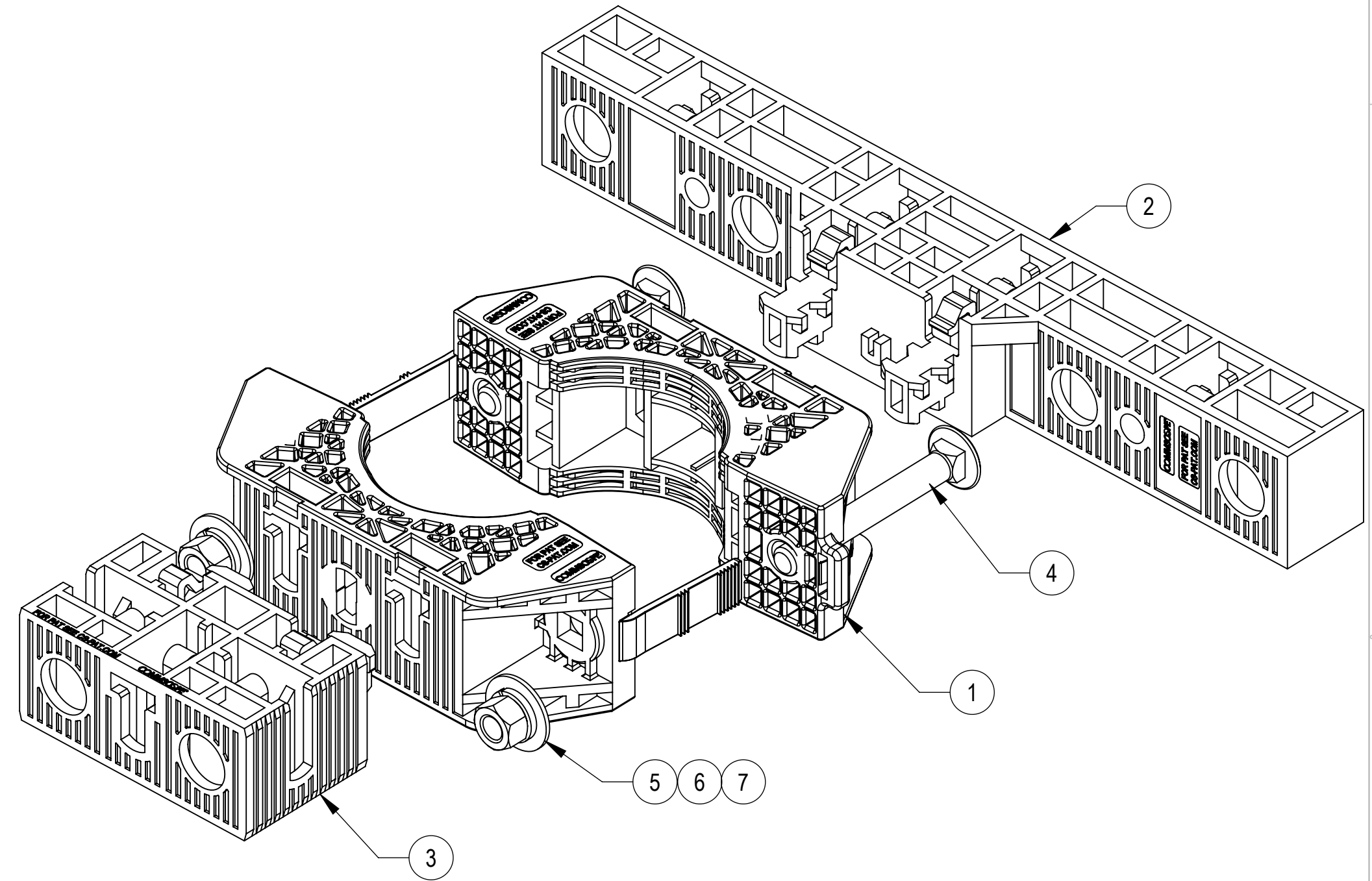
- 1.0 GENERAL NOTES
 1.1 ALL METRIC DIMENSIONS ARE IN BRACKETS [X.X]
 1.2 FEATURES CRITICAL TO QUALITY ARE INDICATED IN ROUNDED BOX (X.X)
 2.0 DESIGN NOTES
 3.0 MANUFACTURING/SPECIAL REQUIREMENTS
 3.1 TIGHTEN ALL BOLTS SECURING FLAT PLATES BY THE TURN-OF-NUT METHOD.
 4.0 TEST
 5.0 PACKAGING
 5.1 PACKAGING MUST BE AGREED TO IN WRITING BY COMMSCOPE PRIOR TO MASS-PRODUCTION APPROVAL.
 5.2 PARTS ARE TO BE PACKAGING IN A MANNER TO PREVENT DAMAGE DURING SHIPMENT & STORAGE.
 5.3 PACKAGING TO ADHERE TO ALL COMMSCOPE, LOCAL & FOREIGN (WHERE APPLICABLE) SHIPPING REQUIREMENTS.
 5.4 PACKAGING & PARTS TO BE FREE OF ALL CONTAMINANTS INCLUDING PAPER FROM BOX, DIRT, DUST, OILS, MOLD RELEASE, DETERGENT AND ALL OTHER FOREIGN MATERIALS.

REVISIONS			
REV.	DESCRIPTION	DATE	APPROVED
C	UPDATED VIEWS FOR PGCS-1000(ITEM 1) CHANGES	JL1183 20MAY24	JX1030 40196037CMO
D	UPDATED PIPE FIT NOTE	JL1183 17JUN24	JX1030 40198252CMO
E	PGCS-7000 (ITEM 2) WAS PGCS-3000; PGCS-6000 (ITEM 3) WAS PGCS-4000	YX1027 10OCT24	JX1030 40206388CMO

FIT ϕ 2.375" O.D. OR ϕ 2.875" O.D. PIPE
 (NOT INCLUDED IN THIS KIT)



ASSEMBLY TOP VIEW



INSTALLATION ASSEMBLY

COMPONENT PART NUMBERS PROVIDED FOR ASSEMBLY PURPOSES;
 INDIVIDUAL COMPONENTS MAY BE SHIPPED AS PARTS WITHIN AN INCLUDED KIT.

ITEM NO.	PART NUMBER	DESCRIPTION	QTY.	WEIGHT
1	PGCS-1000	CLAMP,FRONT-REAR, POLYMER 4CP	2	0.32 LBS
2	PGCS-7000	PANEL, POLYMER, 8CP	1	0.33 LBS
3	PGCS-6000	ADAPTER, POLYMER, 2CP	1	0.09 LBS
4	9615-15	BOLT,CARRIAGE,3/8-16,3,STL GALV	2	0.12 LBS
5	GWF-03	3/8" GALV FLAT WASHER	2	0.01 LBS
6	GWL-03	3/8" GALV LOCK WASHER	2	0.01 LBS
7	GN-03	3/8" GALV HEX NUT	2	0.00 LBS

DENSITY		lbs/in ³
MASS	1.43	lbs
VOLUME	34.02	in ³
SURFACE AREA	559.97	in ²
HEIGHT	4.25"	
LENGTH	19.25"	
WIDTH	6.25"	

COMMSCOPE, INC. OF NORTH CAROLINA									
TOLERANCES					SAP MATERIAL MASTER				
1 PLACE .X[X] ± 0.2[6.3]		3 PLACE .XXX[X] ± 0.060[1.5]			PGP-CS08				
2 PLACE .XX[X] ± 0.12[3.0]		ANGLES ± 2°							
FINISH					MATERIAL				
UNLESS OTHERWISE SPECIFIED DIMENSIONS ARE IN INCHES INTERPRET PER ANSI Y 14.5M-1994	NAME	DATE	TITLE						
	CE JL1183	19DEC22	PG PREMIUM,CBL-SUPPORT,8-HOLE						
	RW YX1027	10/14/2024							
	AD JX1030	10/15/2024							
	RE YMENG	10/15/2024							
ECN	40206388CMO		SCALE	DOCUMENT NO.					
			1:5	PGP-CS08					
SIZE	Auth Group	INSL	MODEL			DRAWING			
C			VERSION	STATUS	REVISION	VERSION	STATUS	REVISION	SHEET
			03	RE	D	04	RE	E	1 OF 1