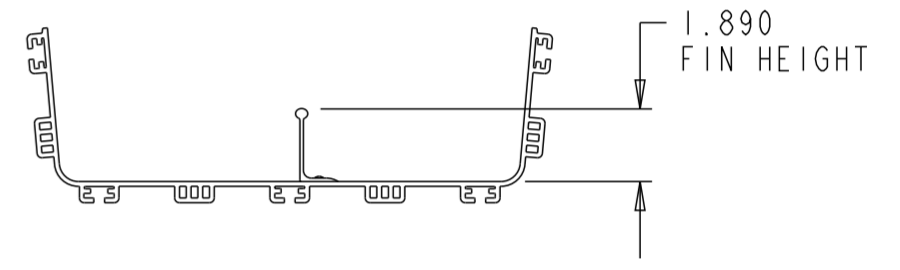
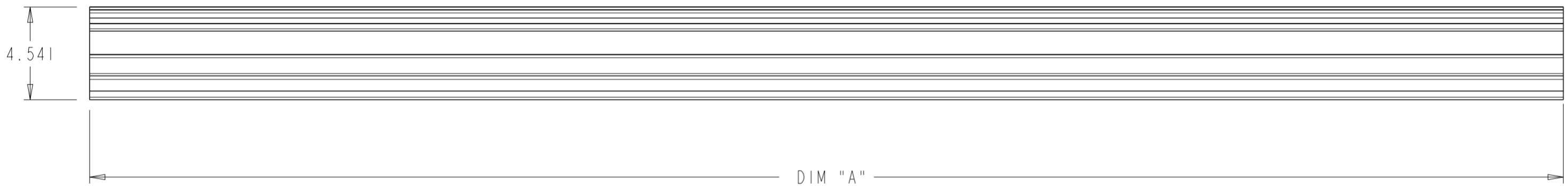
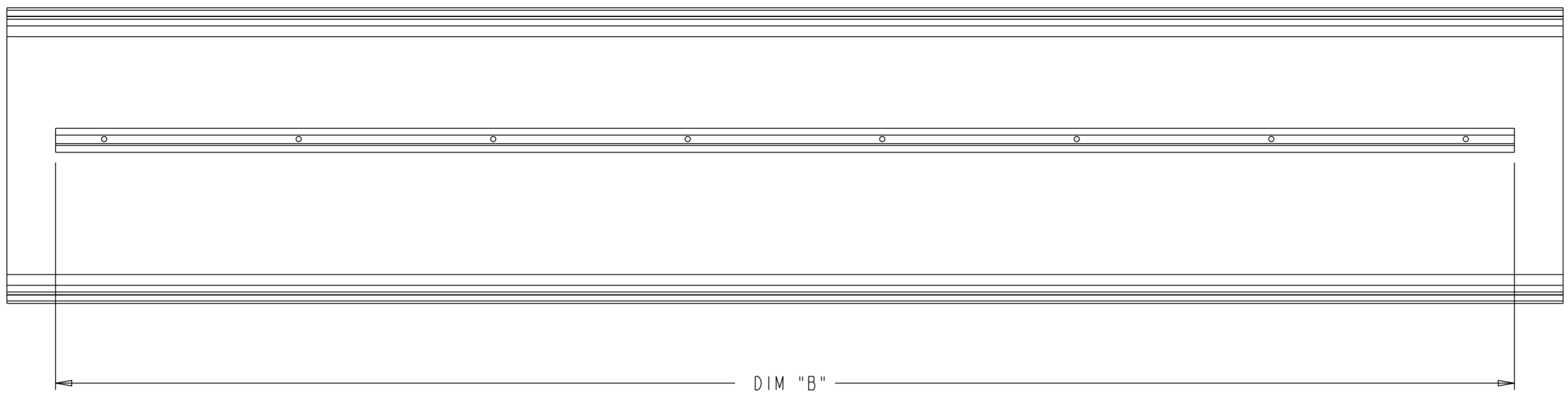
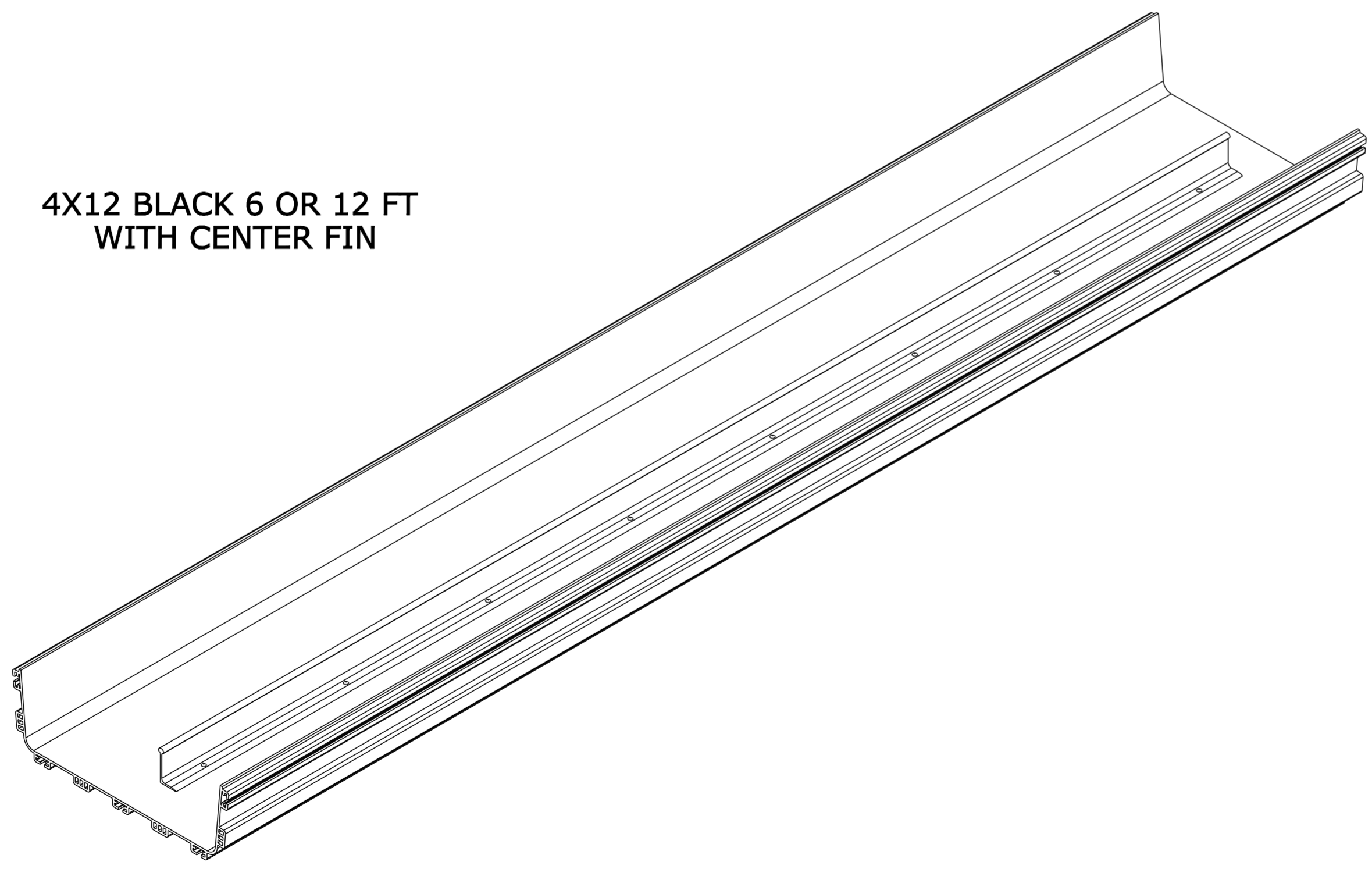


REVISIONS			
REV	CMO	DATE	APPROVED
A	40121475CMO	15-DEC-2020	RAT
B	40141276CMO	20-JAN-2022	RAT



**4X12 BLACK 6 OR 12 FT  
WITH CENTER FIN**



<b>FGSB-MSHS-F-CF12</b>	144.0"	139.5"
<b>FGSB-MSHS-F-CF</b>	72.00"	67.5"
<b>CATALOG NUMBER</b>	<b>DIM "A"</b>	<b>DIM "B"</b>

COMMSCOPE, INC.			
DRAFTER RUBEN ARVILLA	TITLE 4x12 BLACK W/CENTER FIN, FGS, INSTALL DWG		
ENGINEER RUBEN ARVILLA	SIZE A2	SCALE 0.077	DOCUMENT NO. 660105066
CUSTOMER DRAWING			REVISION B
			SHEET 1 OF 1