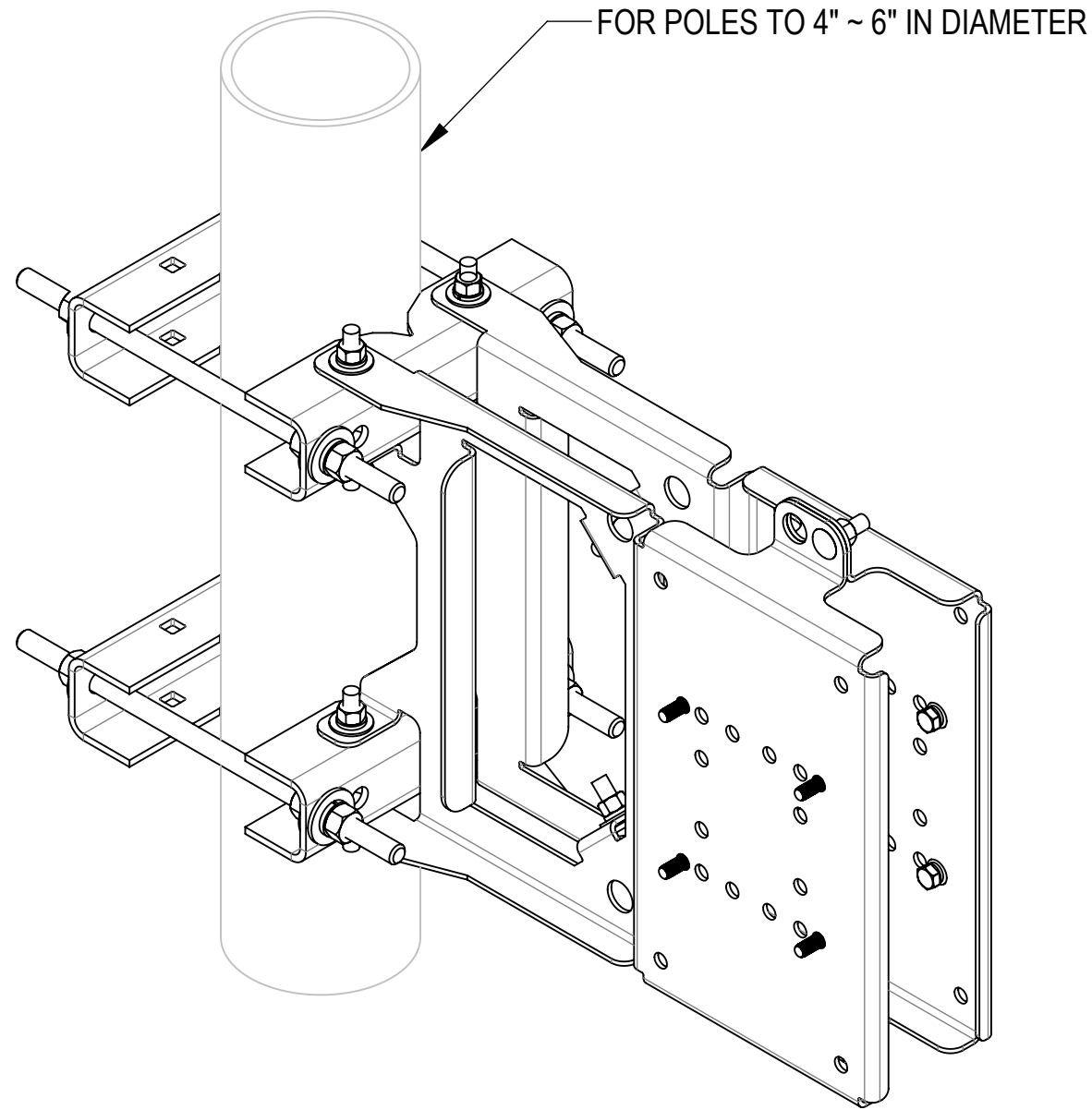


4

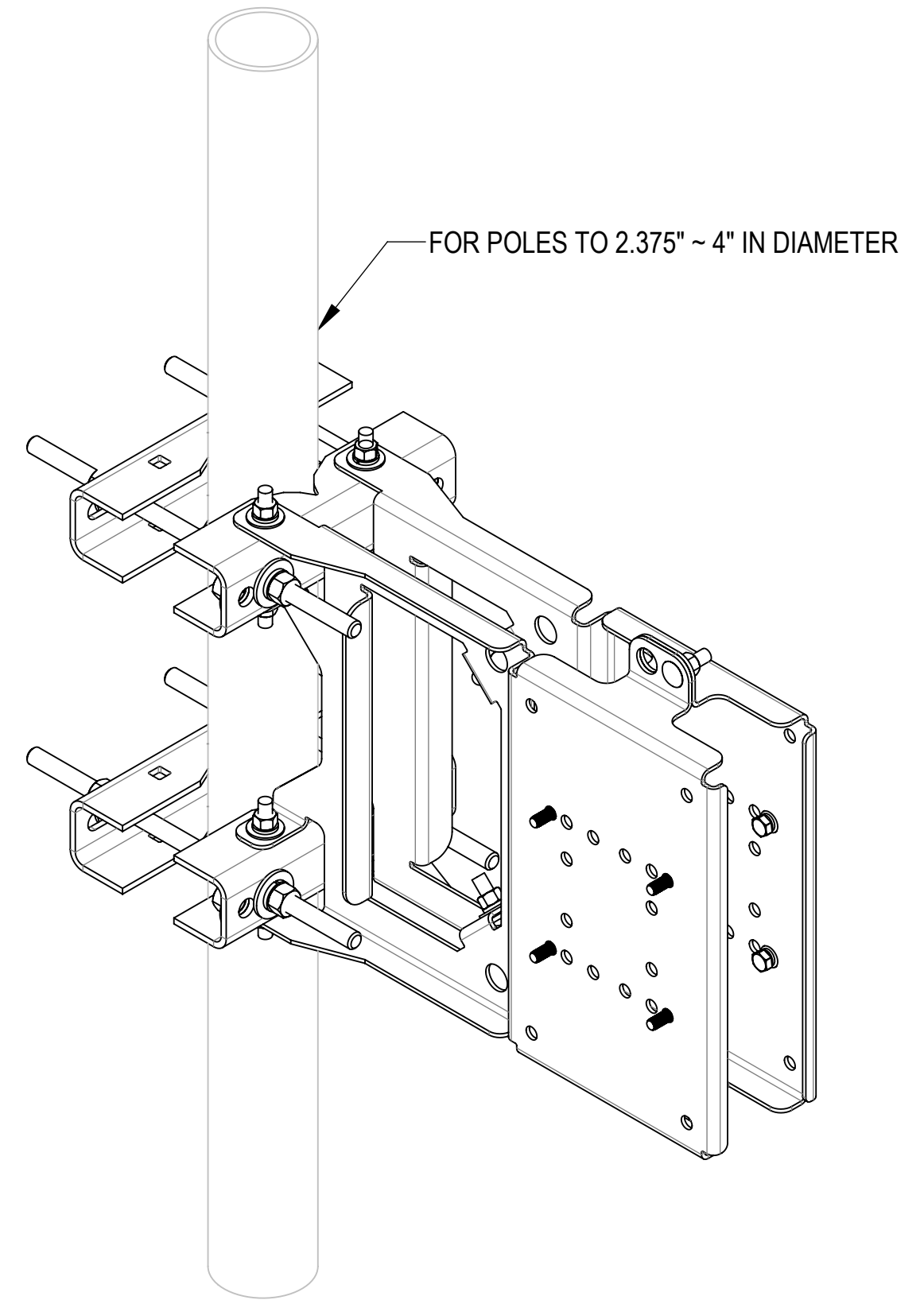
3

2


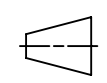
1



APPLICABLE PIPE DIAMETER FOR EXTERNAL HOLES



APPLICABLE PIPE DIAMETER FOR INNER HOLE

COMMSCOPE, INC. OF NORTH CAROLINA				
TITLE NEW B2B FAST ACCESS RRU MOUNT				
SIZE C	SCALE 1:4	DOCUMENT NO. RR-FA4		
 		DRAWING		SHEET
		VERSION 05	STATUS RE	REVISION F

4

3

2

1

D

D

C

C

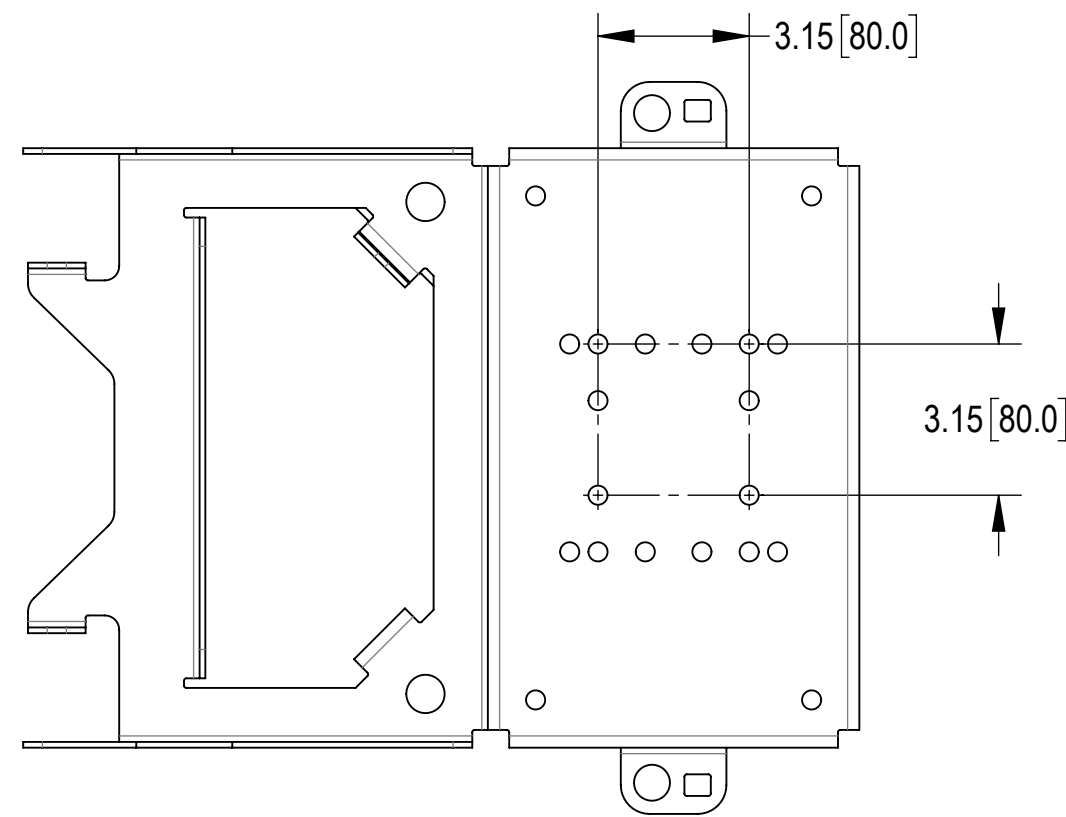
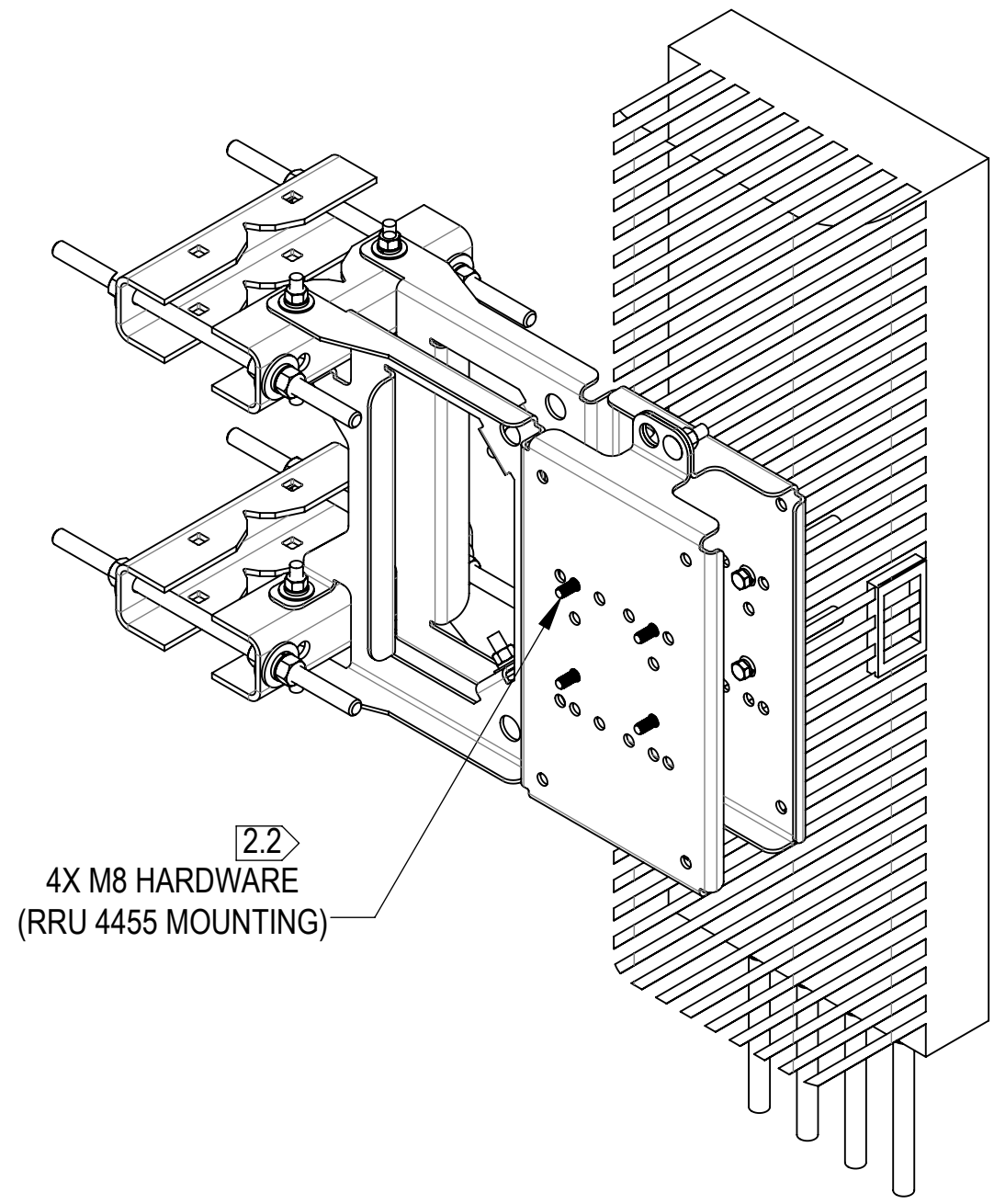
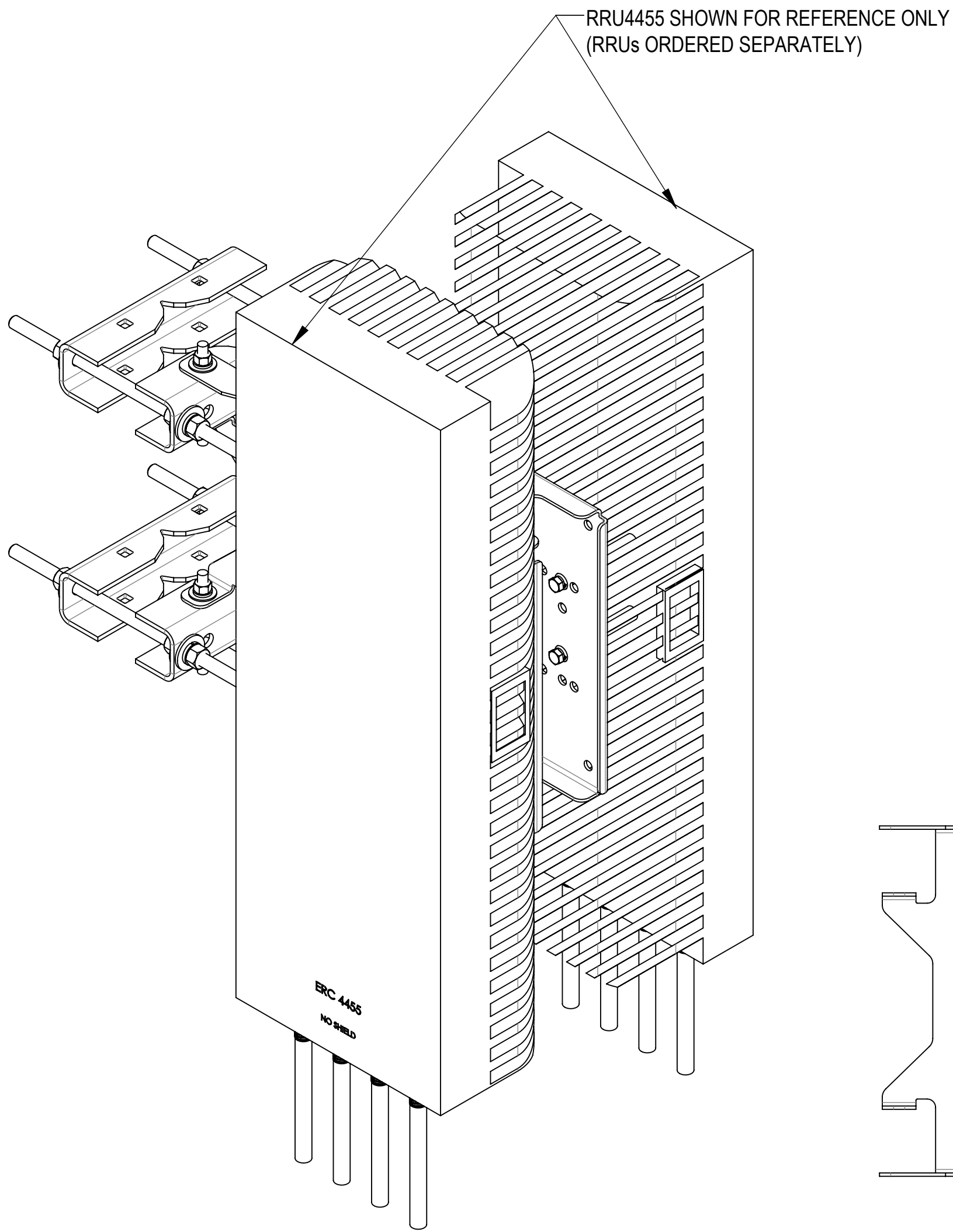
B

B

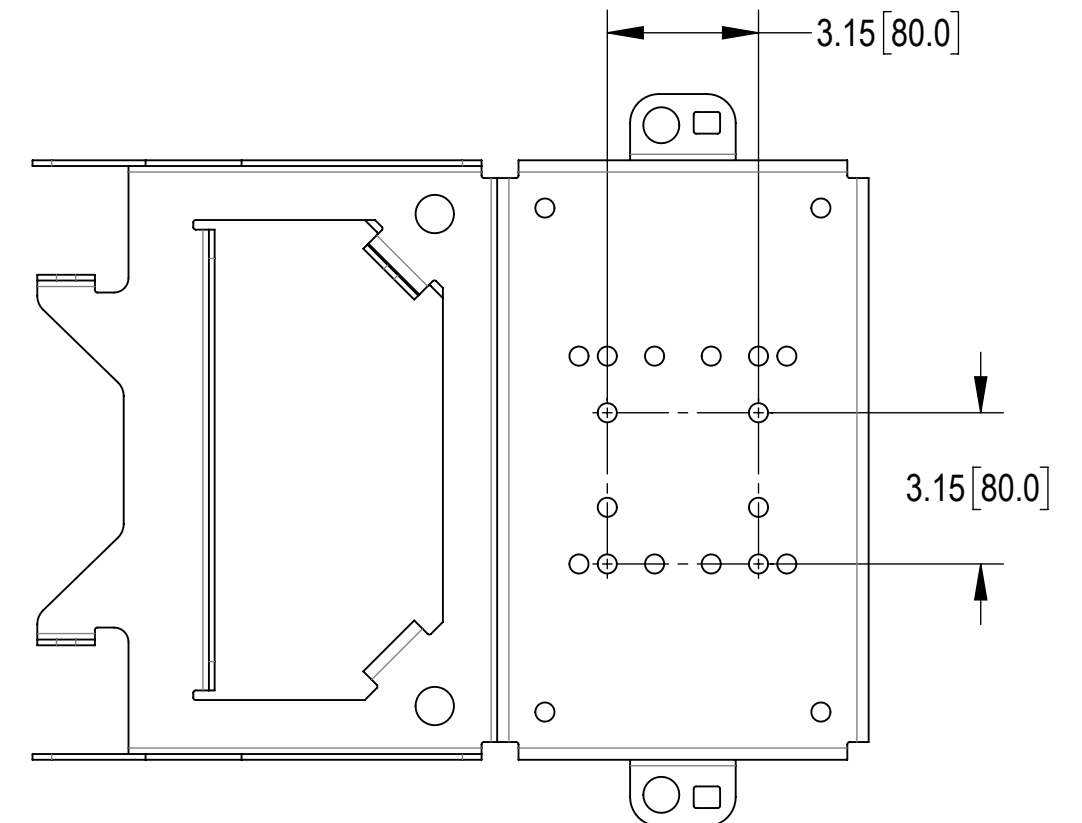
A

A

BRACKET COMPATIBLE WITH 4455 RADIO/AIR MOUNTING ON RR-FA4



OPTION 1



OPTION 2

MOUNTING HOLES POSITION

COMMSCOPE, INC. OF NORTH CAROLINA				
TITLE NEW B2B FAST ACCESS RRU MOUNT				
SIZE C	SCALE 1:4	DOCUMENT NO. RR-FA4		
		DRAWING		SHEET
		VERSION	STATUS	REVISION
		05	RE	F
				SHEET 3 OF 6

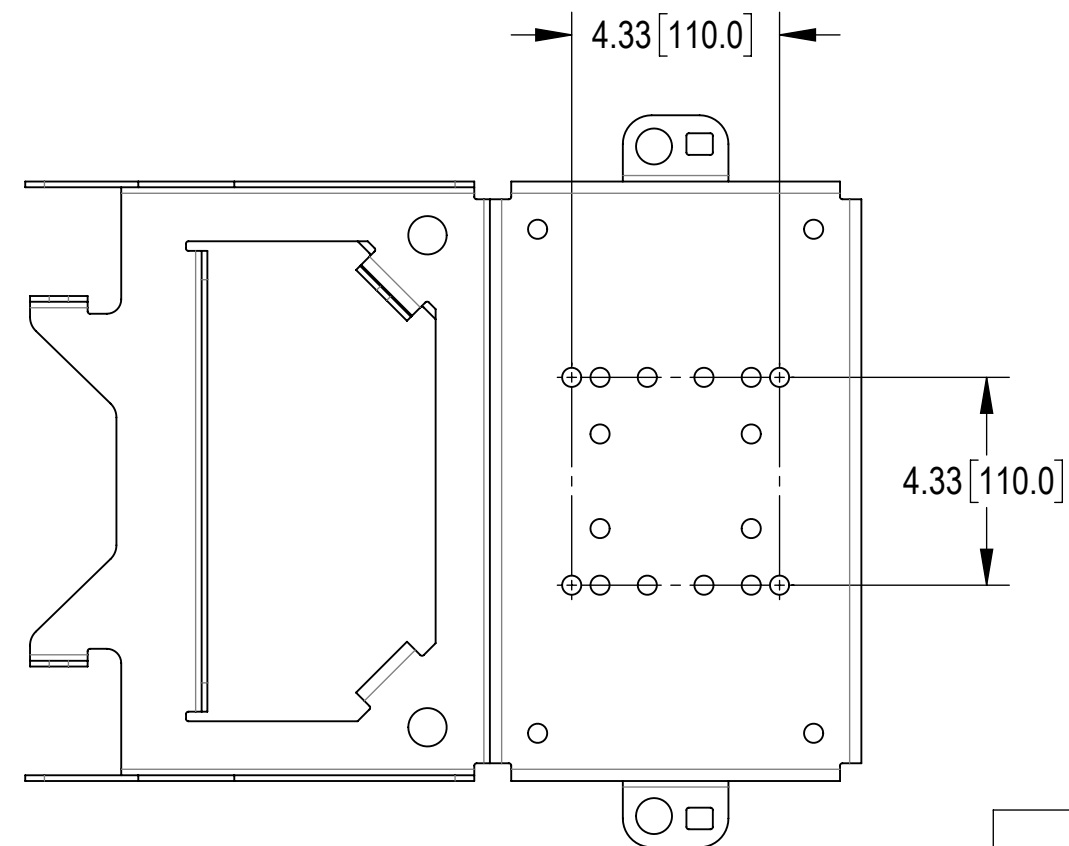
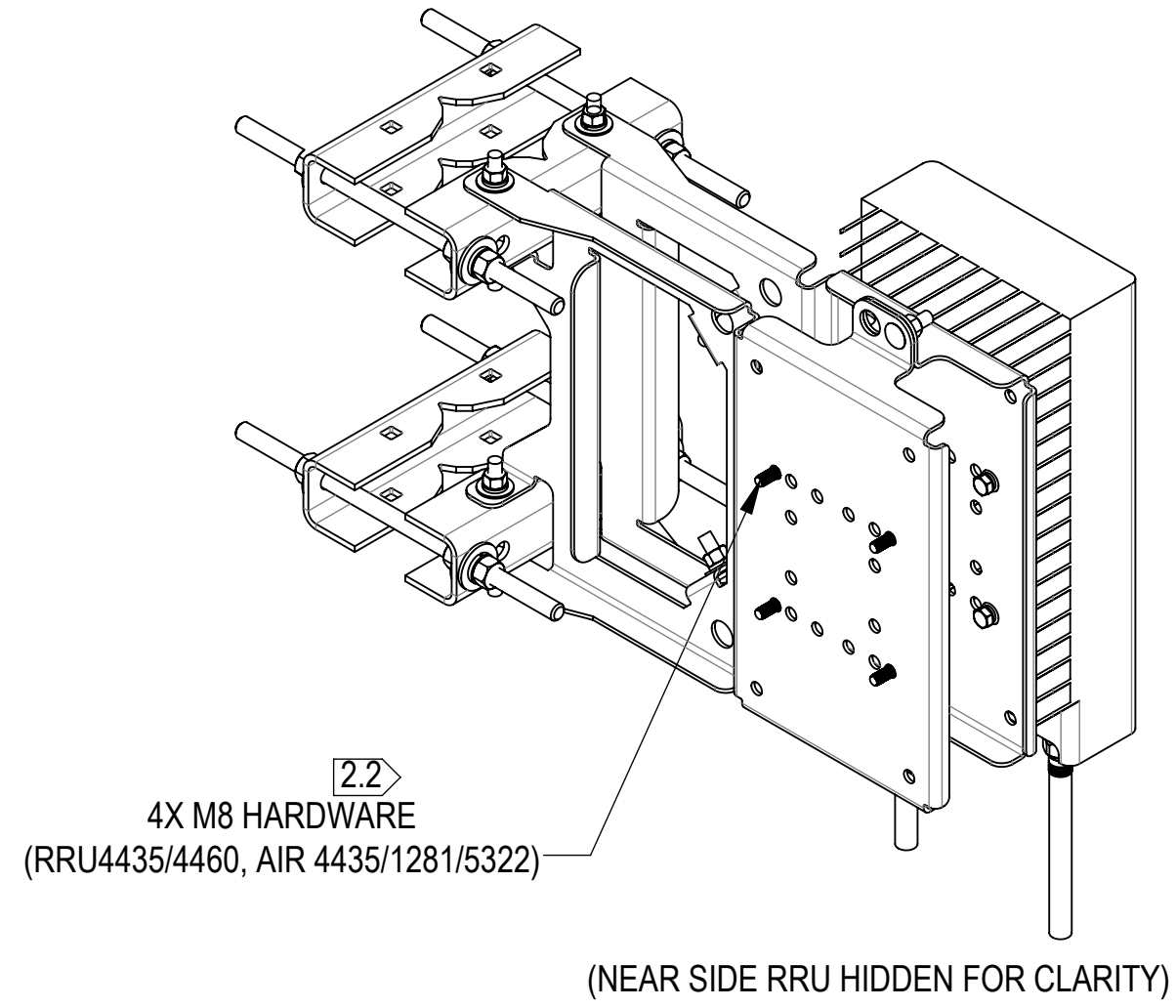
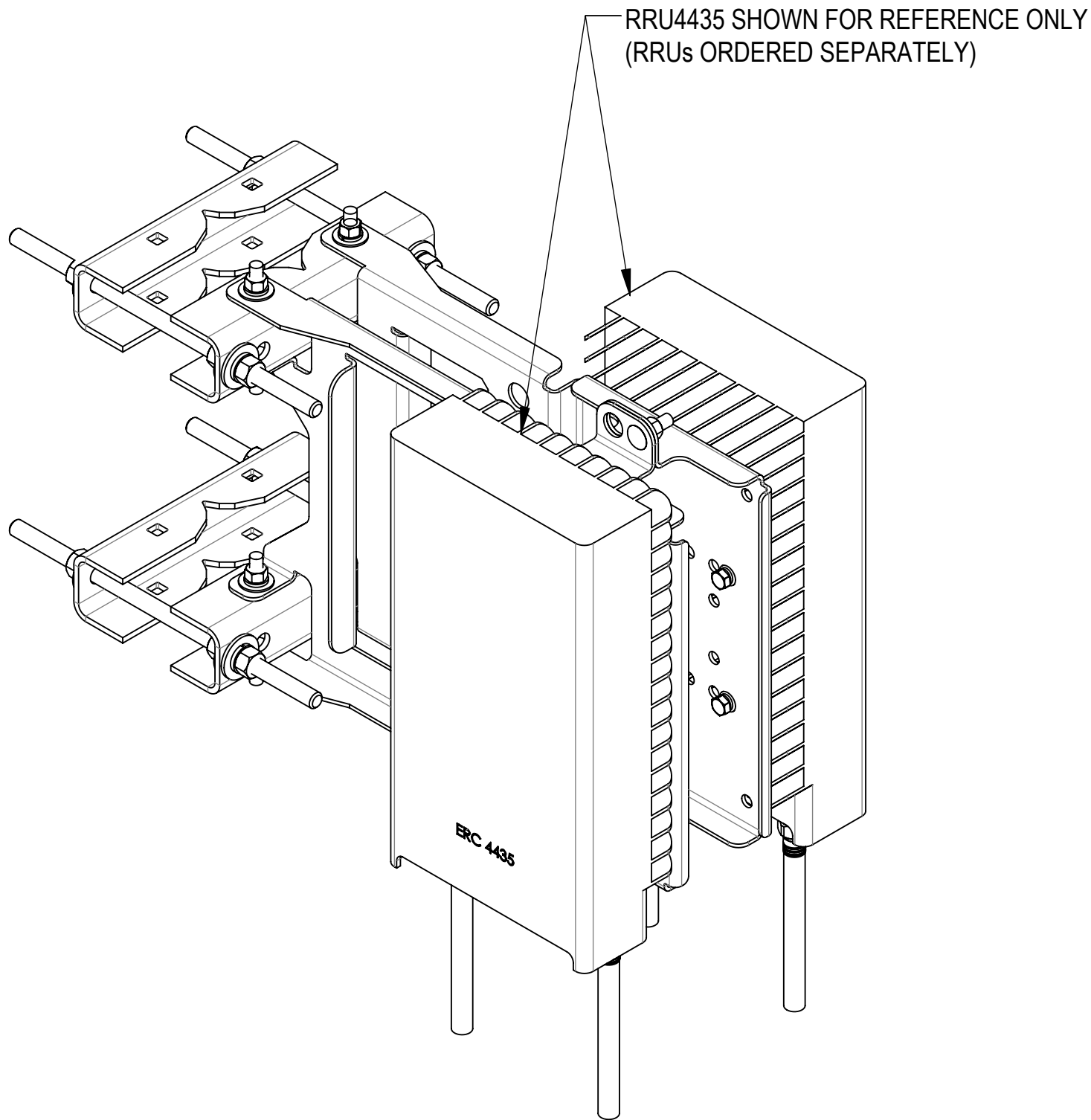
4

3

2

1

BRACKET COMPATIBLE WITH 4435/4460 RADIO, 4435/1281/5322 AIR MOUNTING ON RR-FA4



MOUNTING HOLES POSITION

COMMSCOPE, INC. OF NORTH CAROLINA				
TITLE NEW B2B FAST ACCESS RRU MOUNT				
SIZE C	SCALE 1:4	DOCUMENT NO. RR-FA4		
		DRAWING		SHEET
		VERSION	STATUS	REVISION
		05	RE	F
				4 OF 6

4

3

2

1

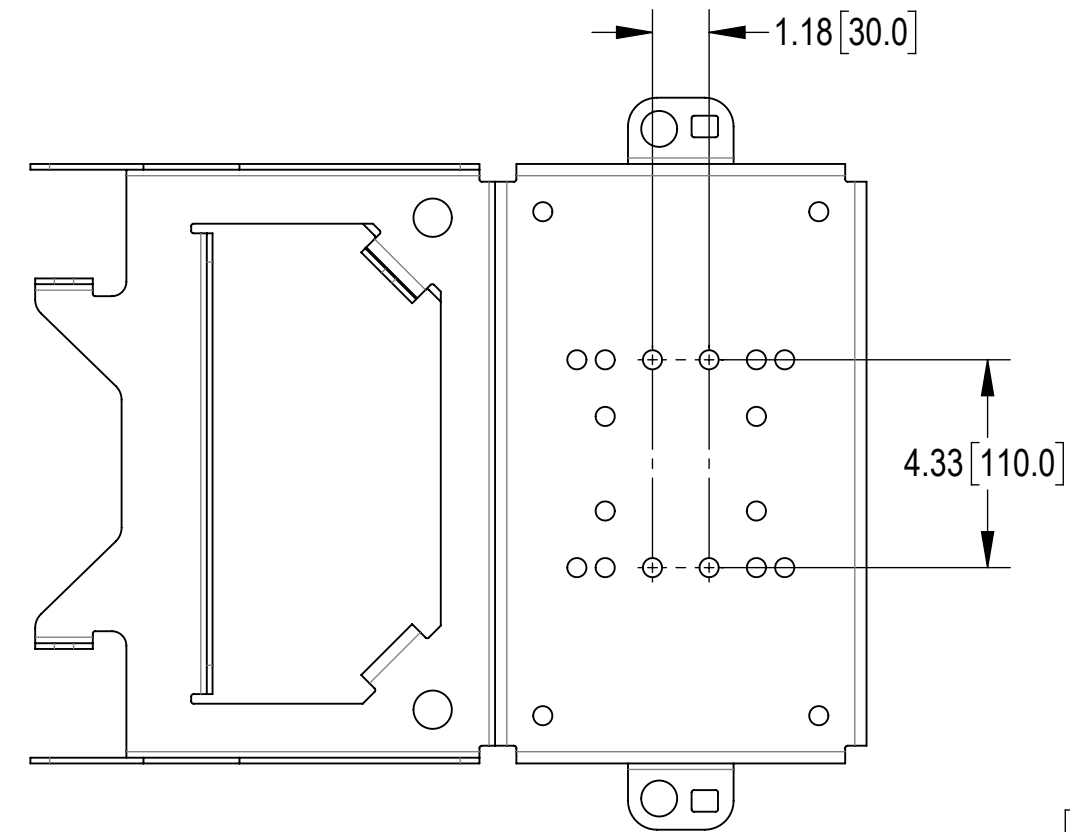
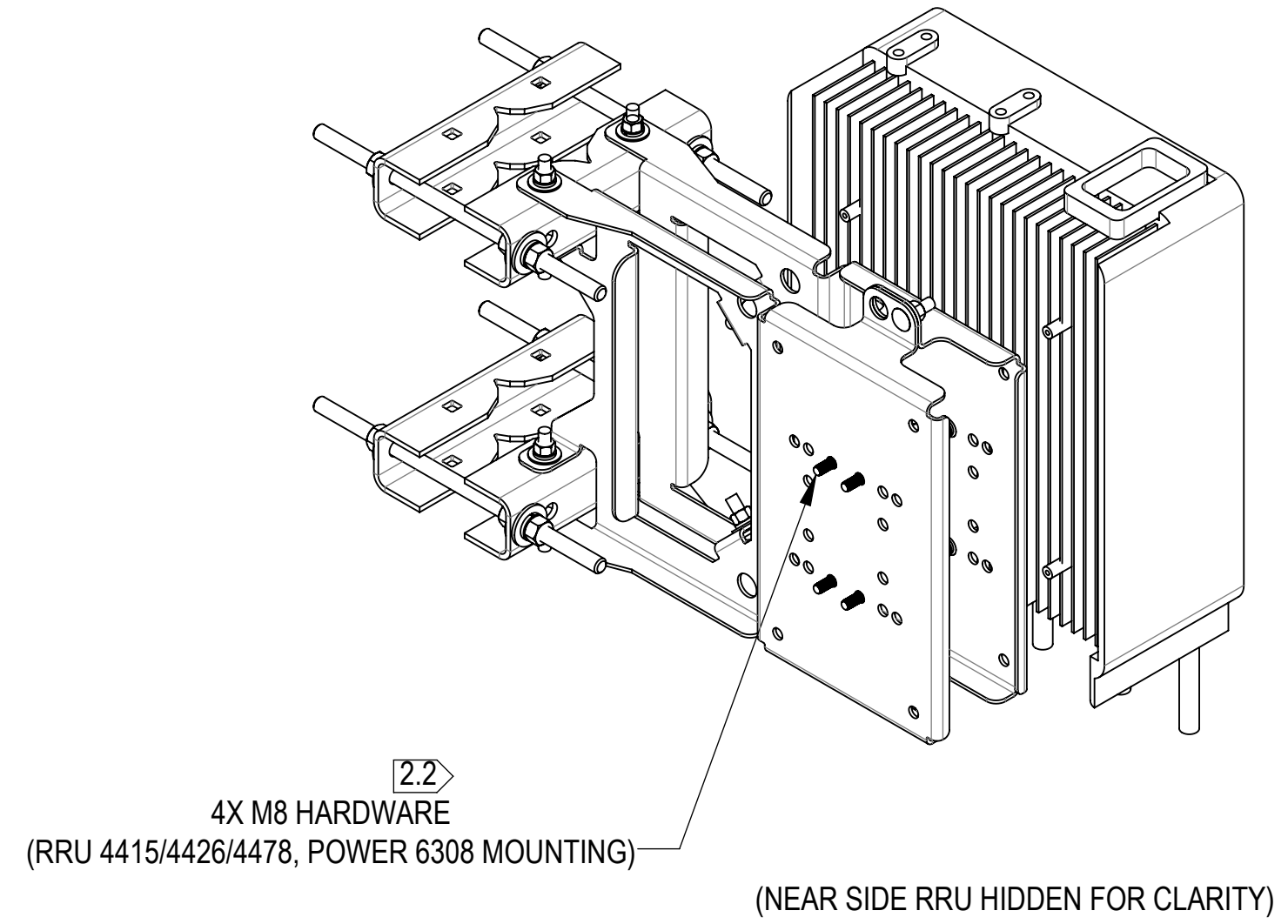
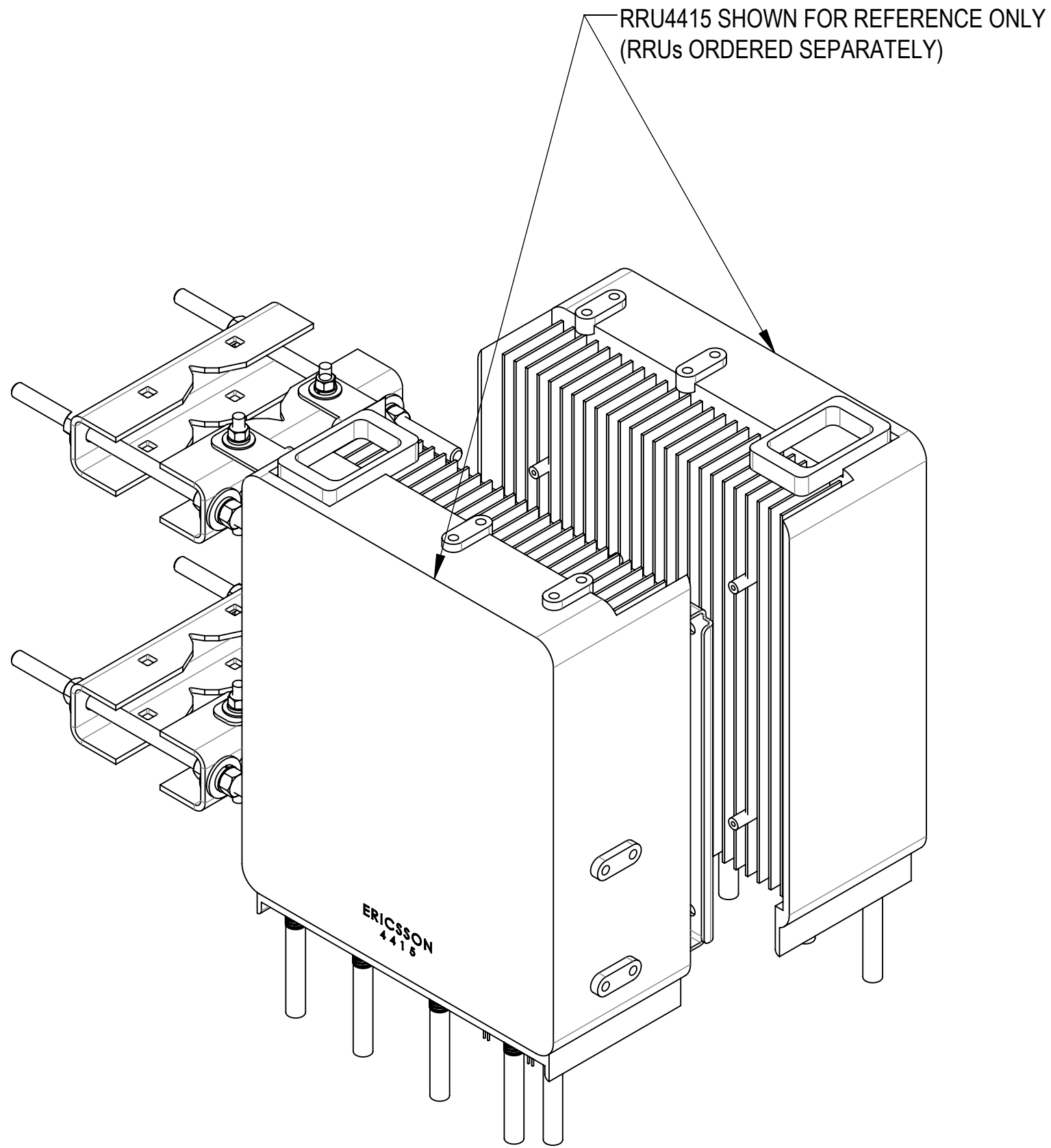
4

3

2

1

BRACKET COMPATIBLE WITH 4415/4426/4478 RADIO, 6308 POWER MOUNTING ON RR-FA4



MOUNTING HOLES POSITION

COMMSCOPE, INC. OF NORTH CAROLINA					
TITLE NEW B2B FAST ACCESS RRU MOUNT					
SIZE C	SCALE 1:4	DOCUMENT NO. RR-FA4			
		DRAWING			SHEET 5 OF 6
		VERSION 05	STATUS RE	REVISION F	

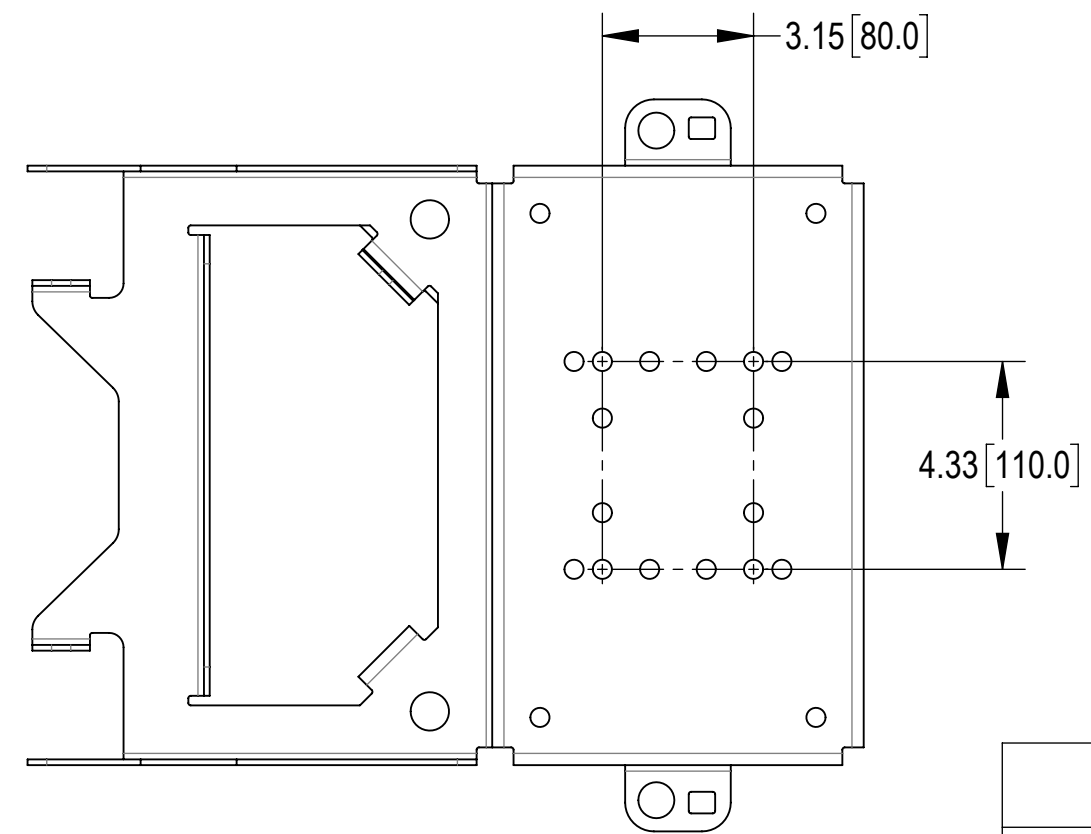
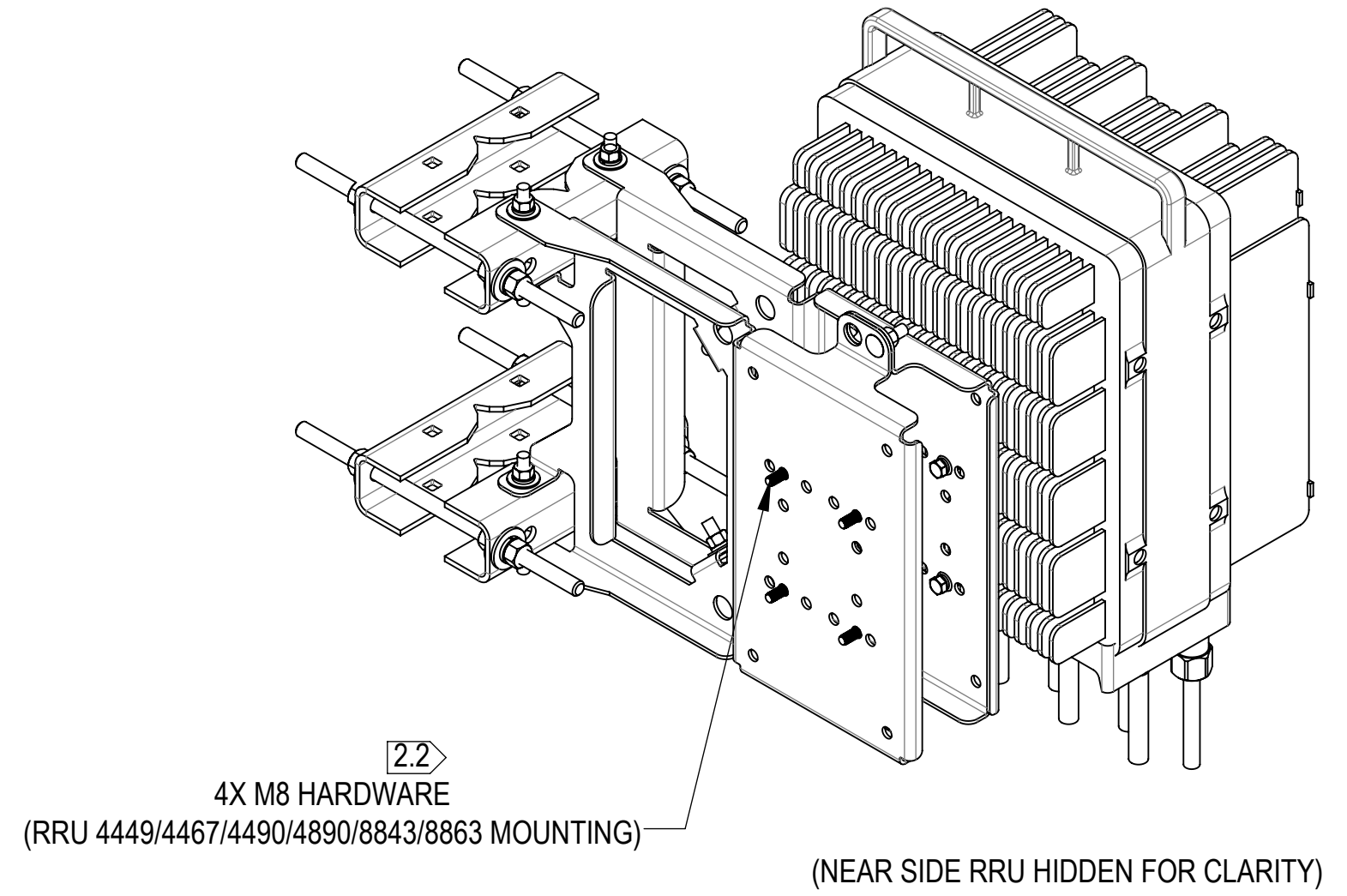
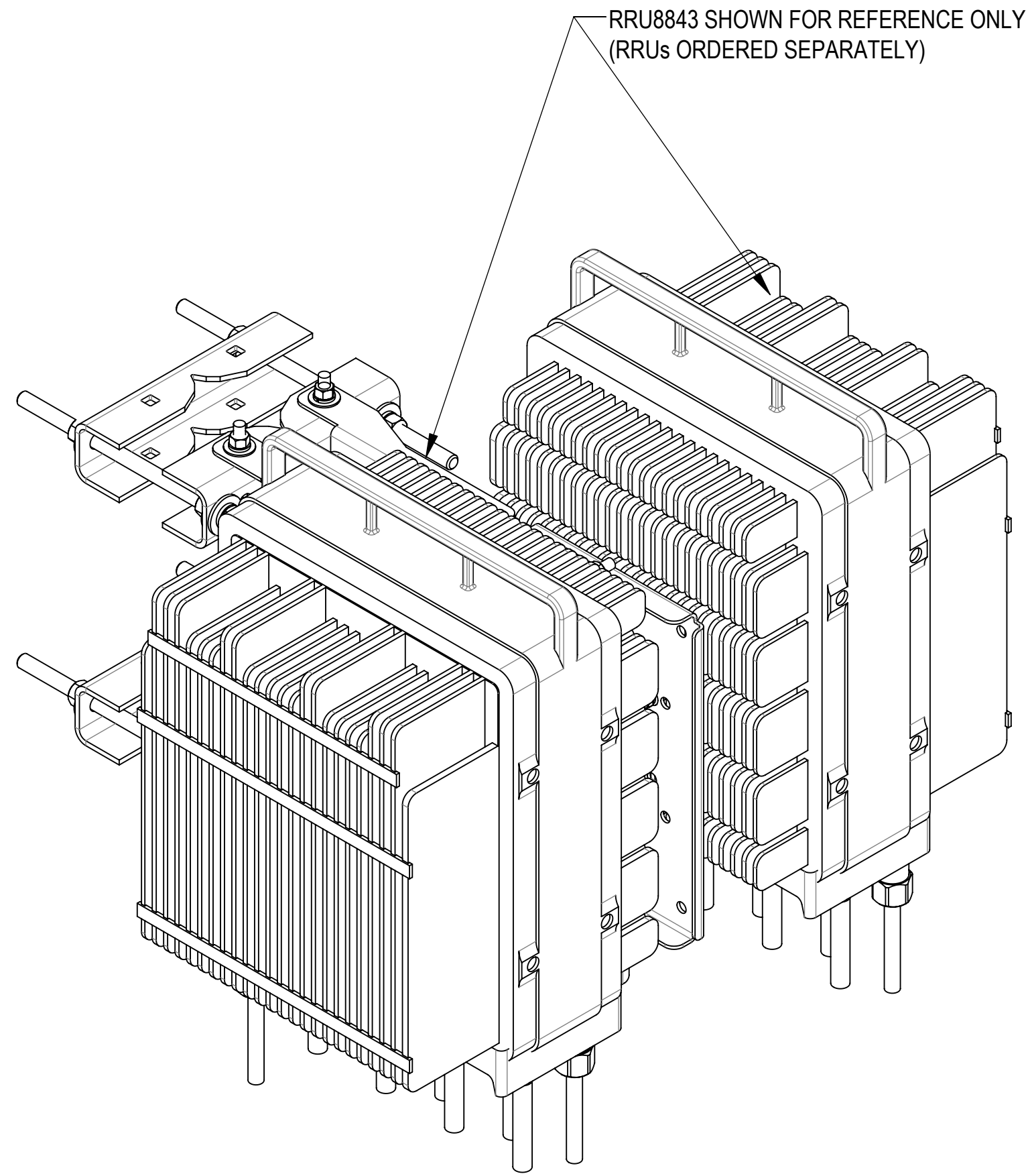
4

3

2

1

BRACKET COMPATIBLE WITH 4449/4467/4490/4890/8843/8863 RADIO MOUNTING ON RR-FA4



MOUNTING HOLES POSITION

COMMSCOPE, INC. OF NORTH CAROLINA				
TITLE				
NEW B2B FAST ACCESS RRU MOUNT				
SIZE	SCALE	DOCUMENT NO.		
C	1:8	RR-FA4		
		DRAWING		SHEET
		VERSION	STATUS	REVISION
		05	RE	F
				6 OF 6