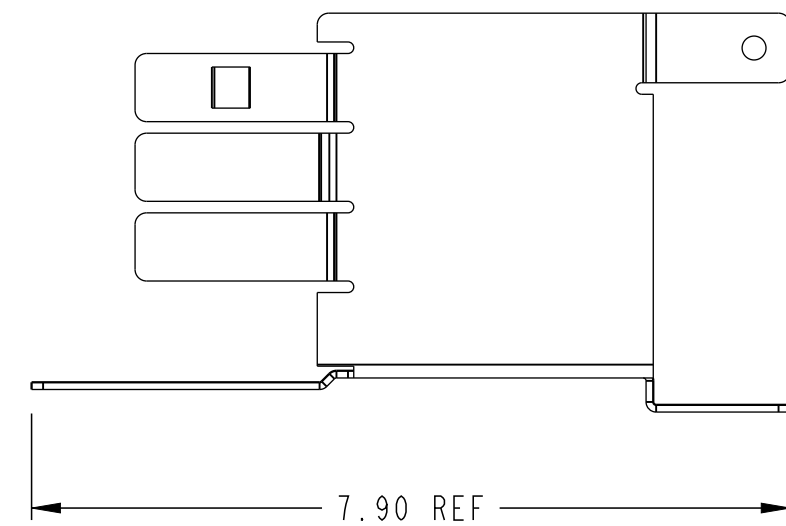
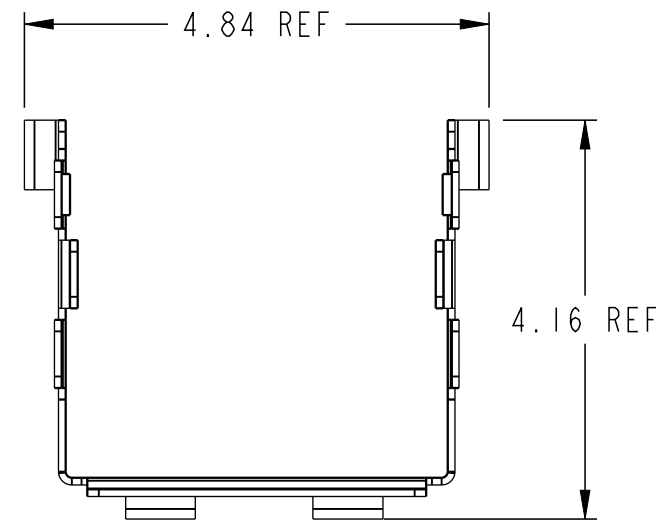
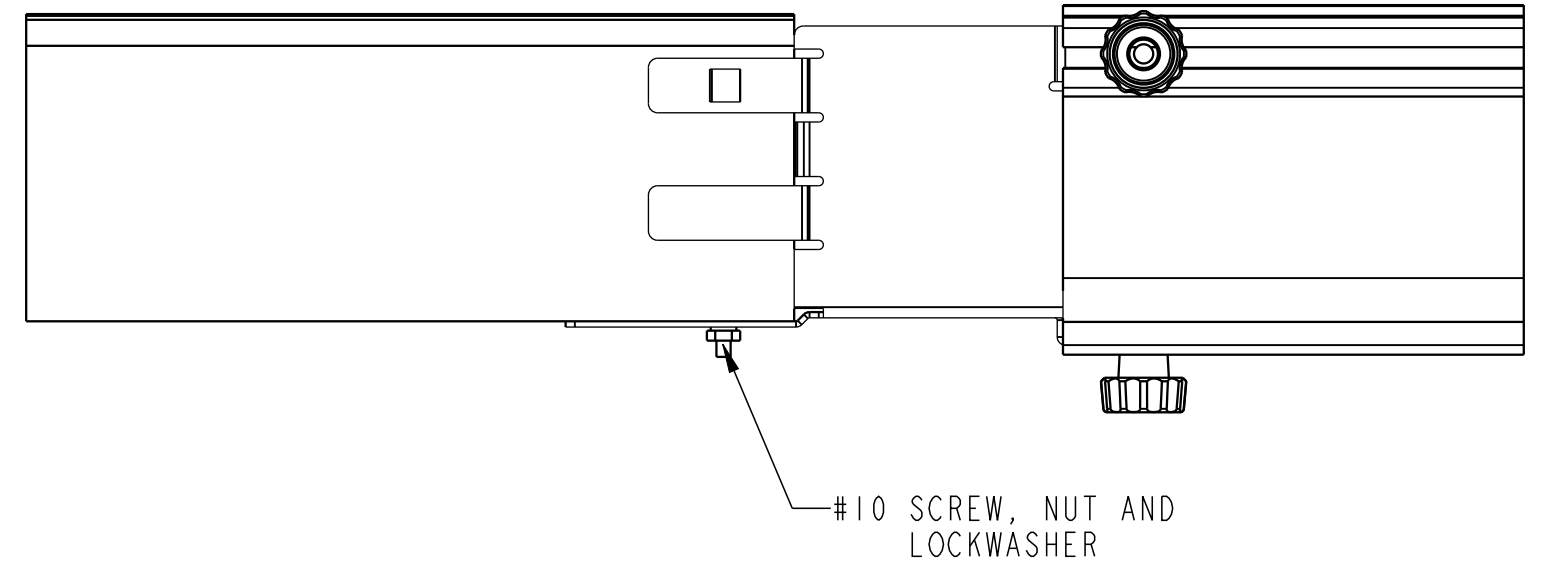
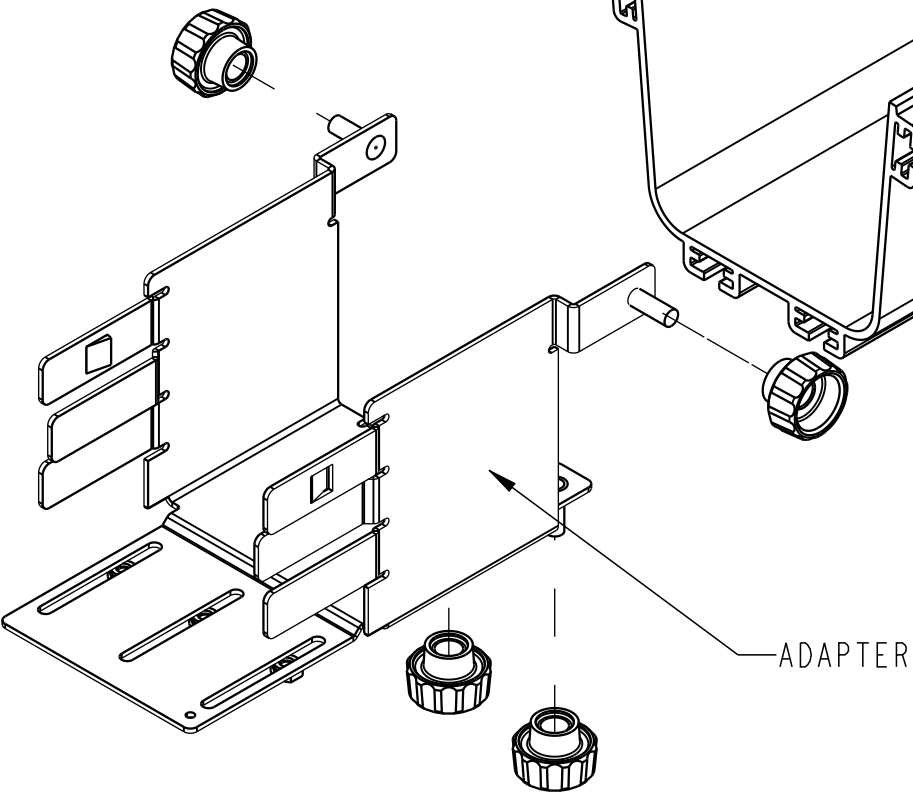
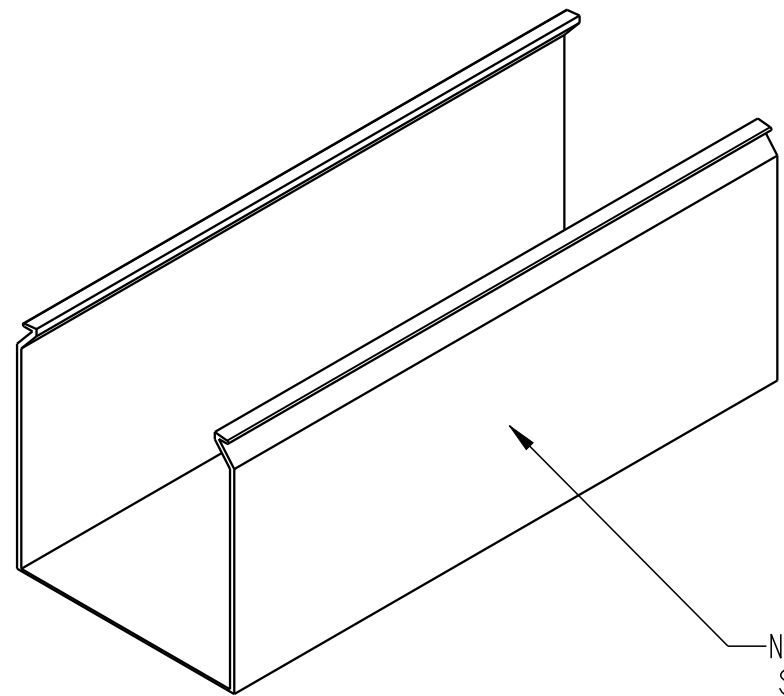
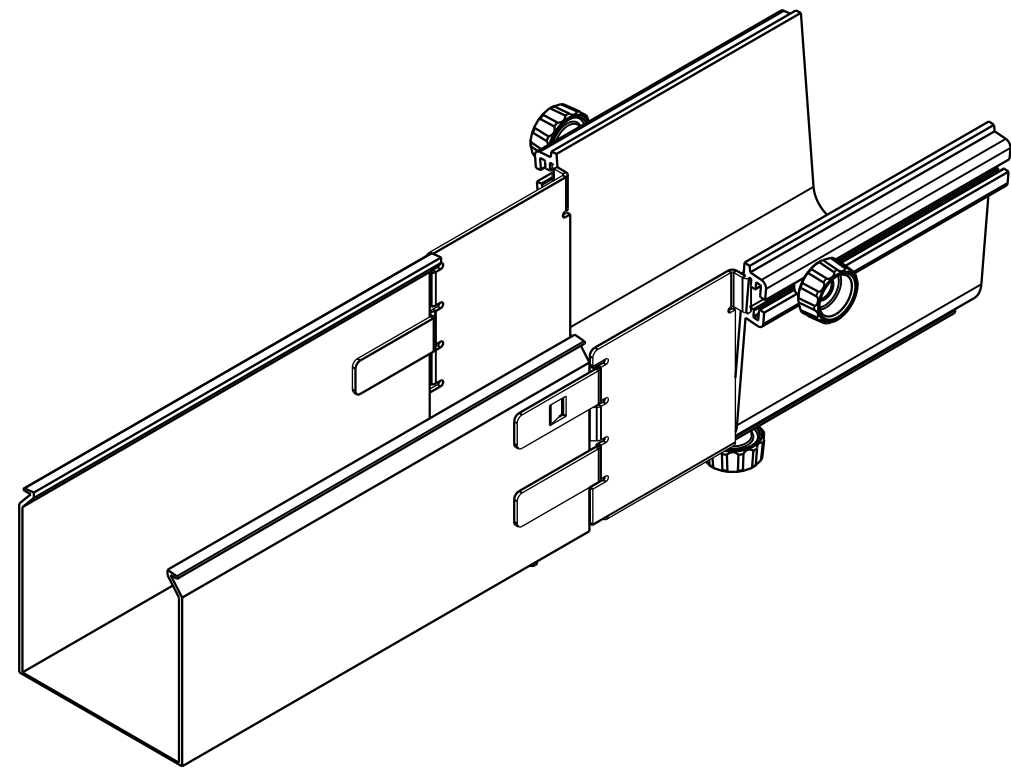


REV	MCO	DWN	DATE
B	40018527MCO	CA	19-FEB-15
C	8000019210	LASR	18-JAN-17



NOTES:

- KIT INCLUDES THE FOLLOWING:
 (1) ADAPTER 4 X 4
 (3) SCREW 10-32
 (3) WASHER #10 LOCK
 (3) NUT 10-32
 (4) KNOB PLASTIC
- MATE THE ADAPTER TO THE NEWTON COMPONENT AS SHOW.
 SIDES OF THE ADAPTER WILL NEED TO BE SQUEEZED INWARD SLIGHTLY.
- MATE THE OPPOSITE OF ADAPTER TO THE ADC GUIDE WITH KNOBS AS SHOW.

COMMSCOPE, INC.

FGS-ACC529
CATALOG NUMBER

<small>© 2016 COMMSCOPE, INC. CONFIDENTIAL NOTICE: THESE DRAWINGS AND SPECIFICATIONS ARE THE PROPRIETARY PROPERTY OF COMMSCOPE, INC. AND MAY BE USED ONLY FOR THE SPECIFIC PURPOSE AUTHORIZED IN WRITING BY COMMSCOPE, INC.</small>		TITLE KIT, 4" NEWTON ADAPTER INST DRW	
<small>ALL DIMS AND TOLERANCES ARE INCHES UNLESS OTHERWISE SPECIFIED</small>	<small>.XX:±N/A .XXX:±N/A ANGULAR:±N/A</small>	C SIZE DRAWING NUMBER 1314950_ADC	C REV
DO NOT SCALE DRAWING		ENGR: C. ARROYO DWN: J. GABRIEL NERI	SHT. 1 OF 1

DIMENSIONS IN INCHES
 THIRD ANGLE PROJECTION