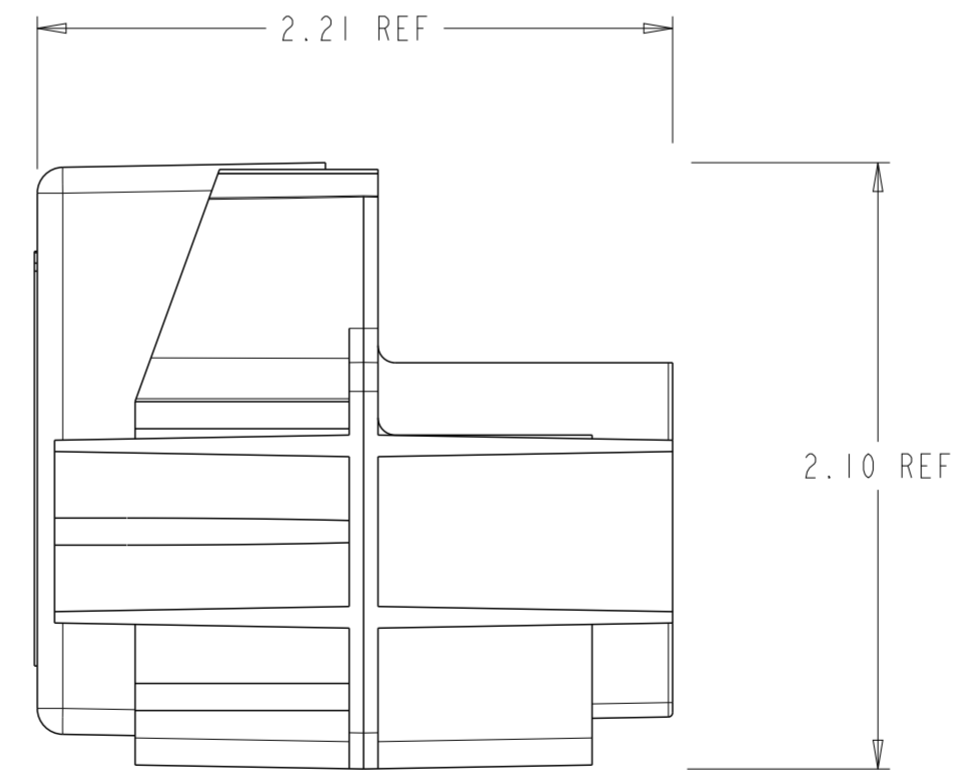
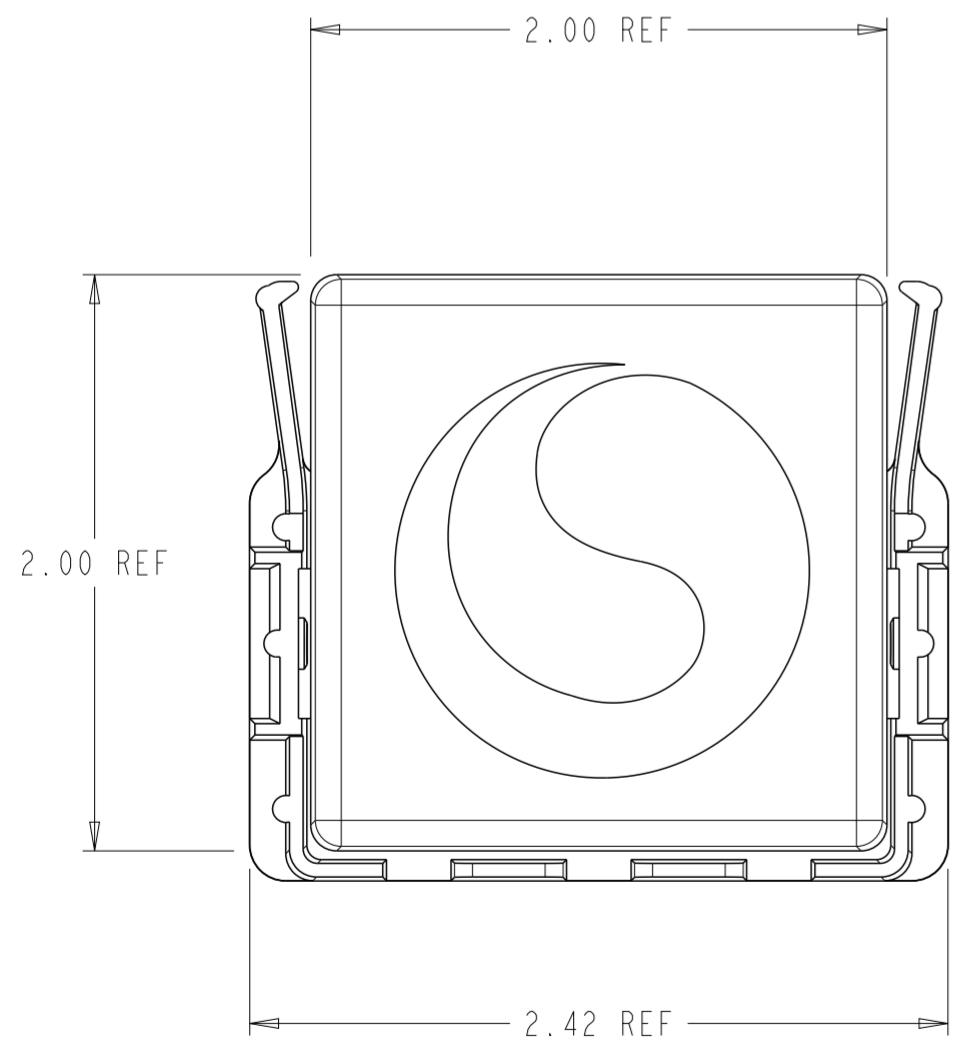
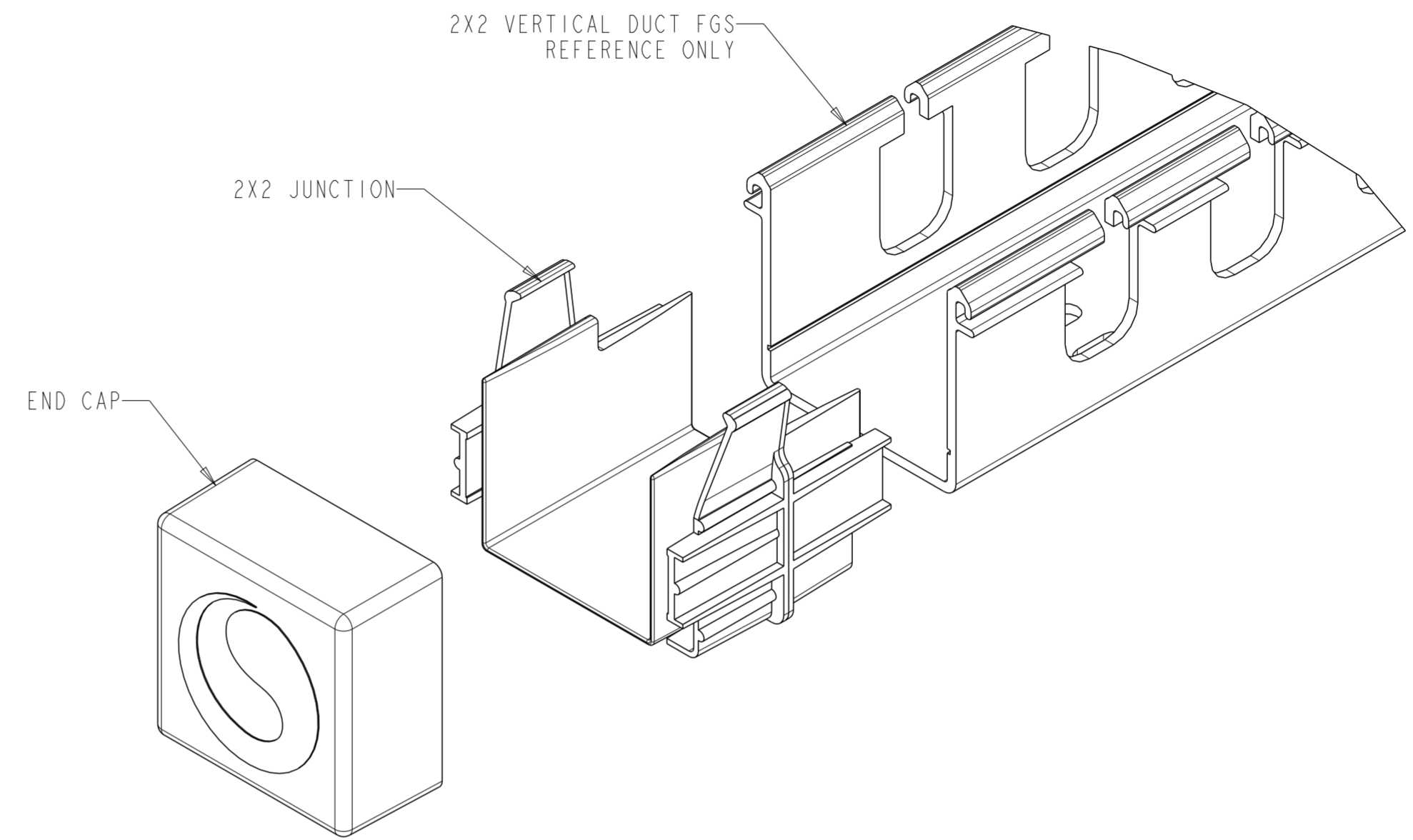
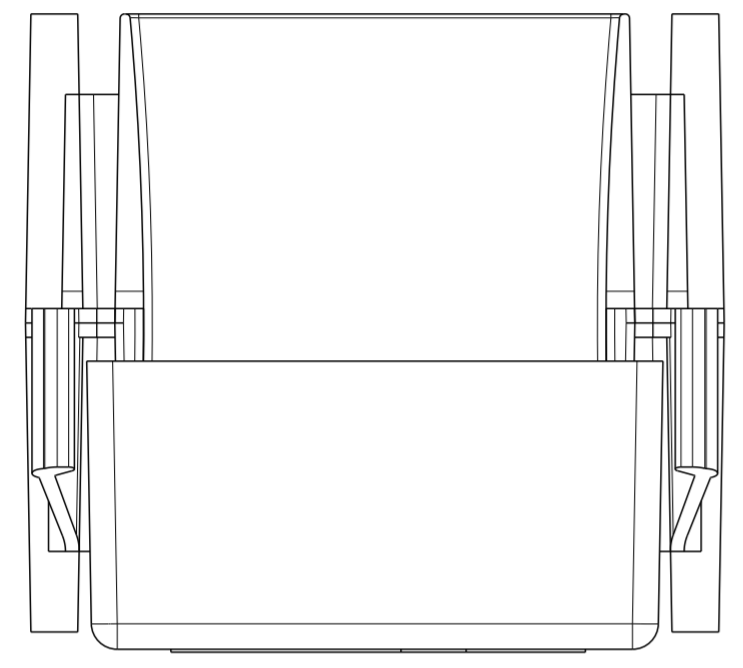


REVISIONS			
REV	DESCRIPTION	DATE	APPROVED
B	40033141MCO	05-SEP-2016	VFV
C	40141862CMO	07-MAY-2015	JDG



FGS-HMEC-CA	YELLOW	A
CATALOG NUMBER	COLOR	REV

COMMSCOPE, INC.														
TOLERANCES					SAP MATERIAL MASTER									
.XX:±REF														
.XXX:±REF														
ANGULAR:±REF														
FINISH					MATERIAL									
SEE BOM					N/A									
UNLESS OTHERWISE SPECIFIED DIMENSIONS ARE IN INCHES	DRAFTER			TITLE										
	JAVIER DIAZ			END CAP, FGS HINGED COVER INST DRW										
	CHECKER			SIZE			SCALE			DOCUMENT NO.				
	MIGUEL MUÑOZ			A2			0.083			300001755824				
ENGINEER			CMO											
RUBEN ARVILLA			40141862CMO											
ALL SURFACES			AUTH GRP: ***			MODEL			DRAWING			SHEET		
✓			[Symbol]			VERSION			STATUS	REVISION	VERSION	STATUS	REVISION	1 OF 1
						***			[Symbol]	[Symbol]	01	RE	C	

© 2022 CommScope, Inc. Confidential
 NOTICE: These drawings and specifications are the proprietary property of COMMSCOPE, INC. and may be used only for the specific purpose authorized in writing by COMMSCOPE, INC.