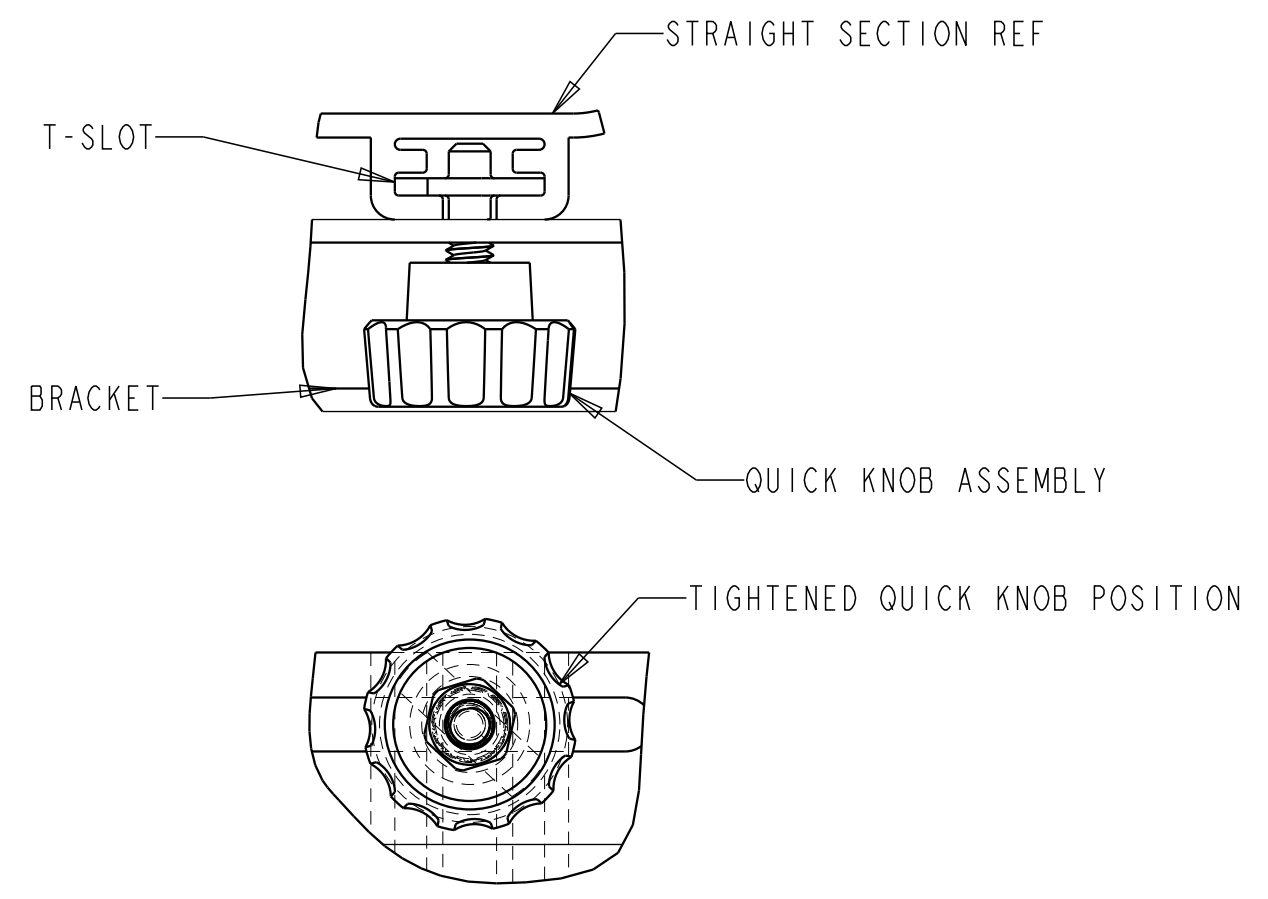
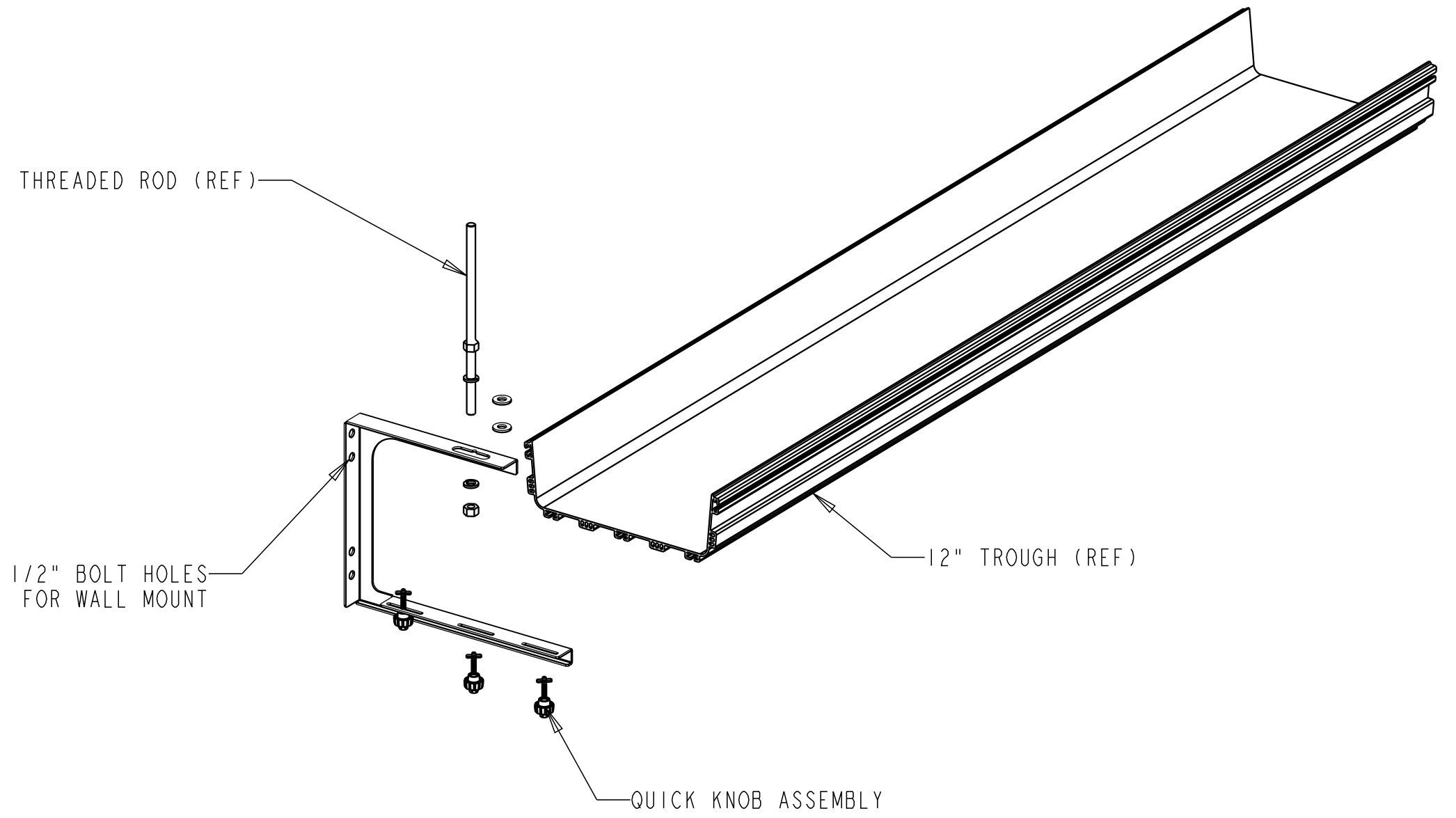
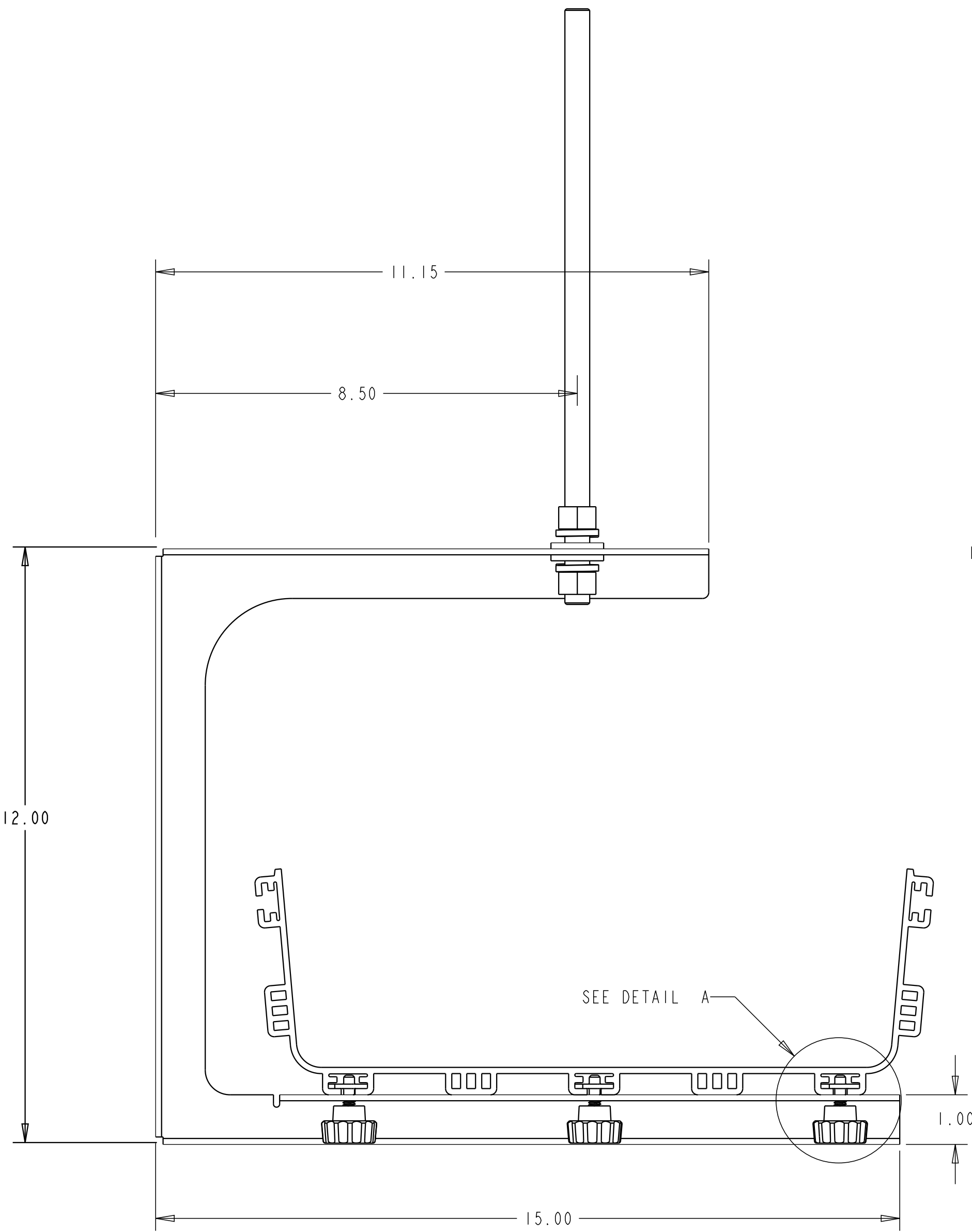


REV.	MCO	DWN	DATE
A	20087406	CNC	18-APR-01
B	40030119MCO	VFV	20-MAY-16



DETAIL A  
SCALE 1.000

NOTES:

1. KIT INCLUDES THE FOLLOWING:

- (1) MOUNTING BRACKET
- (2) HEX NUT
- (2) SPLIT LOCK WASHER
- (3) QUICK KNOB
- (3) THREAD-FORMING BOSS SCREW

2 THE KIT INCLUDES FLAT WASHER QUANTITY 2

	FGS-HNTS-F-16MM-LP	TOP MOUNT FIBER GUIDE KIT 16MM ROD
	FGS-HNTS-F-14MM-LP	TOP MOUNT FIBER GUIDE KIT 14MM ROD
2	FGS-HNTS-F-12MM-LP	TOP MOUNT FIBER GUIDE KIT 12MM ROD
	FGS-HNTS-F-5/8-LP	TOP MOUNT FIBER GUIDE KIT 5/8" ROD
2	FGS-HNTS-F-1/2-LP	TOP MOUNT FIBER GUIDE KIT 1/2" ROD
	CATALOG NUMBER	DESCRIPTION

COMMSCOPE, INC.

© 2016 COMMSCOPE, INC. CONFIDENTIAL NOTICE: THESE DRAWINGS AND SPECIFICATIONS ARE THE PROPRIETARY PROPERTY OF COMMSCOPE, INC. AND MAY BE USED ONLY FOR THE SPECIFIC PURPOSE AUTHORIZED IN WRITING BY COMMSCOPE, INC.		TITLE TOP MOUNT 12" FGS INSTALLATION DRAWING	
ALL DIMS AND TOLERANCES ARE INCHES UNLESS OTHERWISE SPECIFIED	.XX:±.02 .XXX:±.010 ANGULAR:±2°	C SIZE	DRAWING NUMBER 1168716_ADC
DO NOT SCALE DRAWING	ENGR: DEREK DERKS DWN: CRAIG ZELASKO	B REV	SHT. 1 OF 1

DIMENSIONS IN INCHES  
THIRD ANGLE PROJECTION