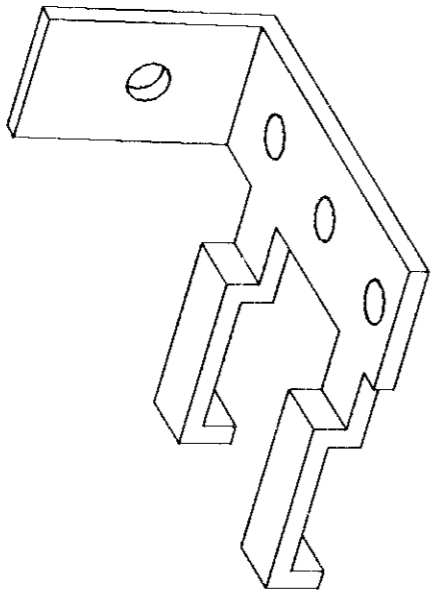
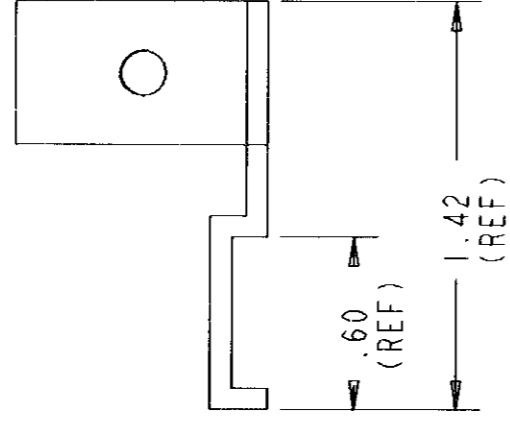
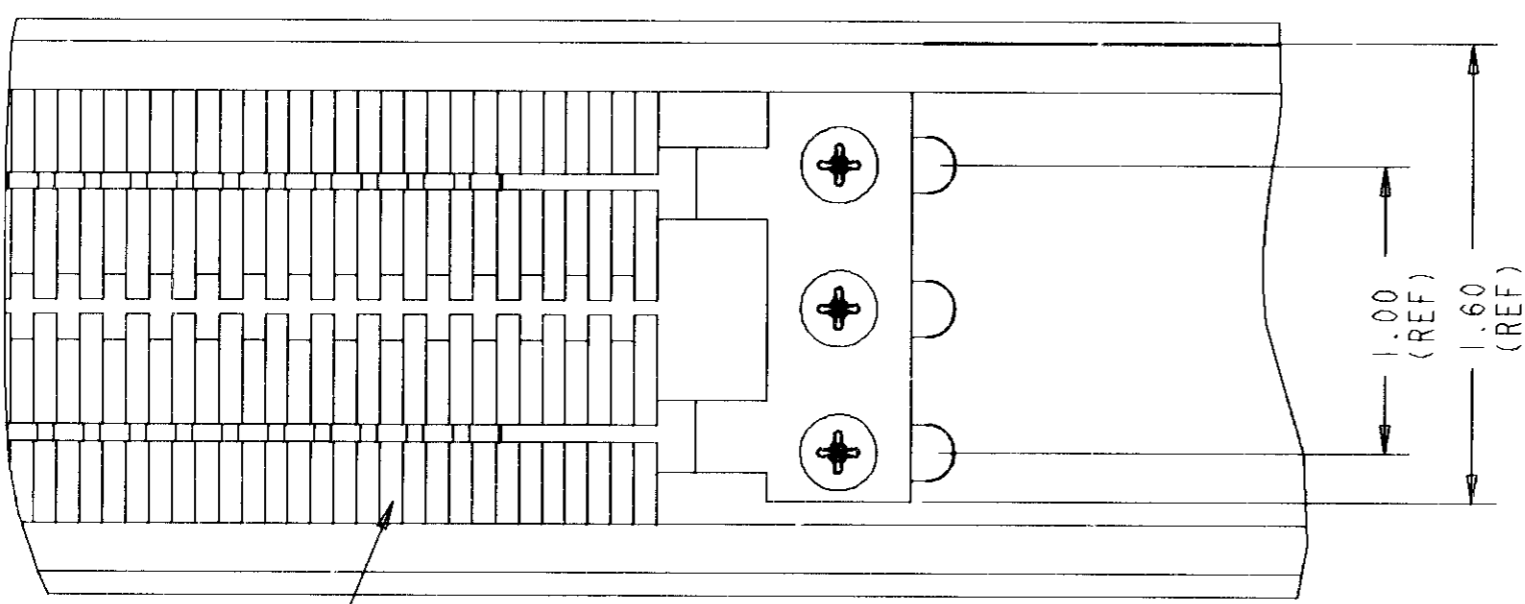


REV	ECO	DWN	DATE
A	95866A	PJT	02-12-92
-	-----	---	-----

7/8" FLEX TUBING
(REF)

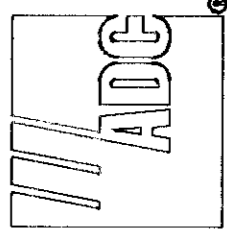


PARTS LIST	
QTY	DESCRIPTION
10	7/8" HOSE END CLAMP
30	#6-32 X .375 SCREW
30	STAR LOCK WASHER
30	#6-32 HEX NUT

NOTES:

- ASSEMBLE KIT AS SHOWN INTO 2' FIBERGUIDE WITH 7/8" FLEX TUBING. FIBERGUIDE AND FLEX TUBING NOT INCLUDED WITH KIT.

CATALOG # FGS-HSHC-10



INFORMATION ON THIS DOCUMENT IS PROPRIETARY TO ADC AND SHALL NOT BE USED, COPIED, REPRODUCED OR DISCLOSED IN WHOLE OR IN PART WITHOUT WRITTEN CONSENT OF ADC.

TOLERANCE UNLESS OTHERWISE SPECIFIED: .XX: ±.02
ANGULAR: N/A

DRAWING NUMBER: 4-29000-2223
REV: A

ENGR: PAT THOMPSON
DWN: PAT THOMPSON

DO NOT SCALE DRAWING

SHT. 1 OF 1

A

B

C

D