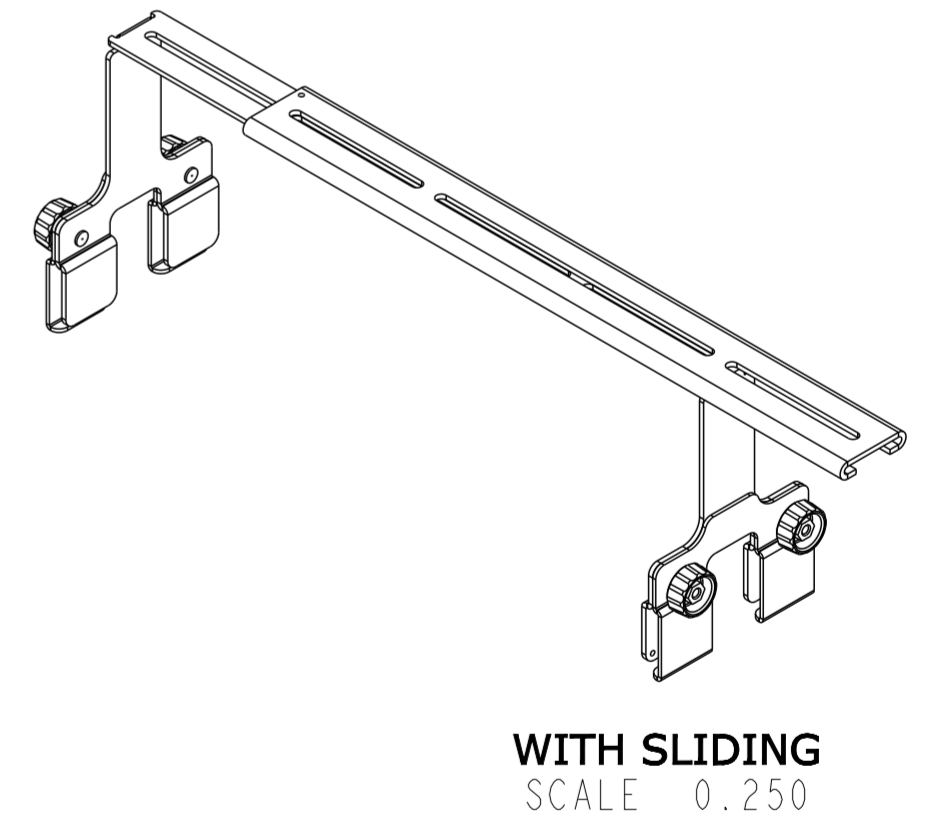
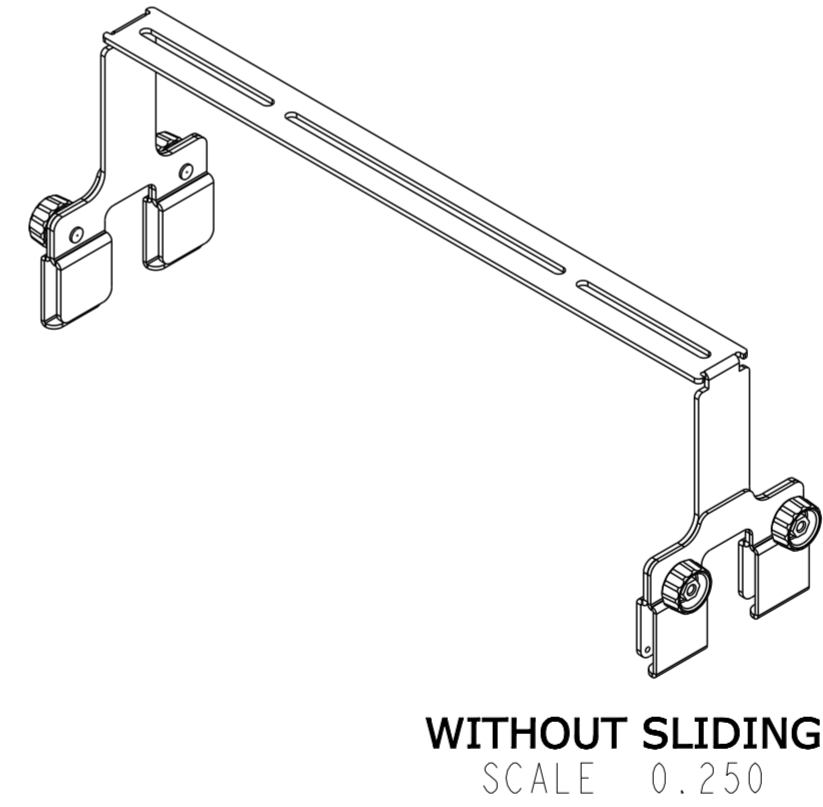
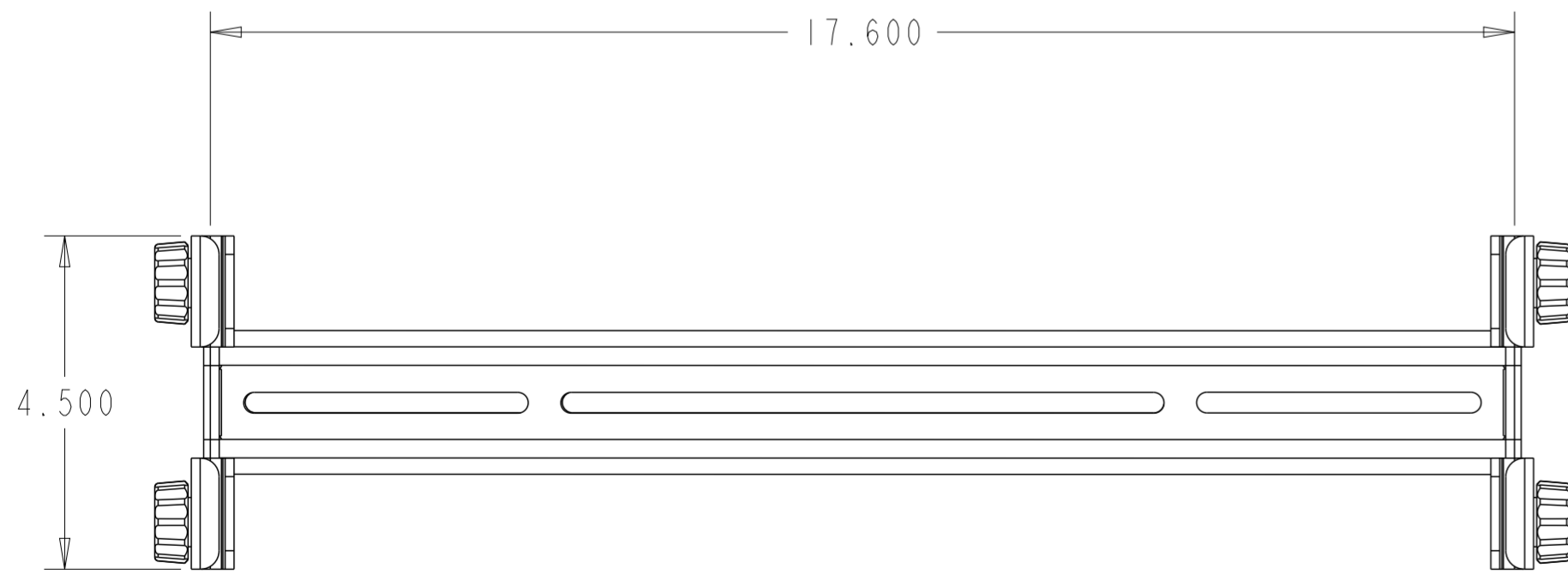
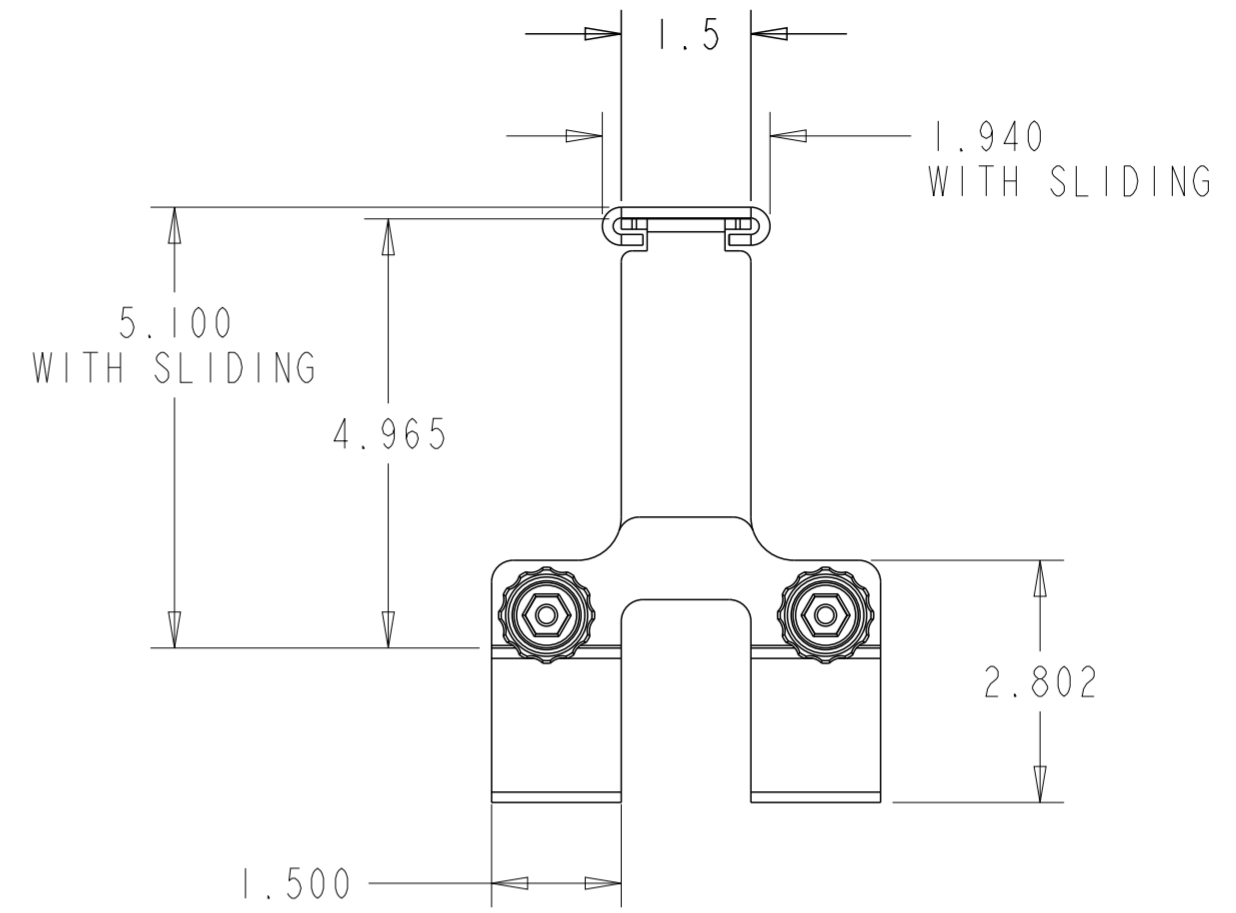
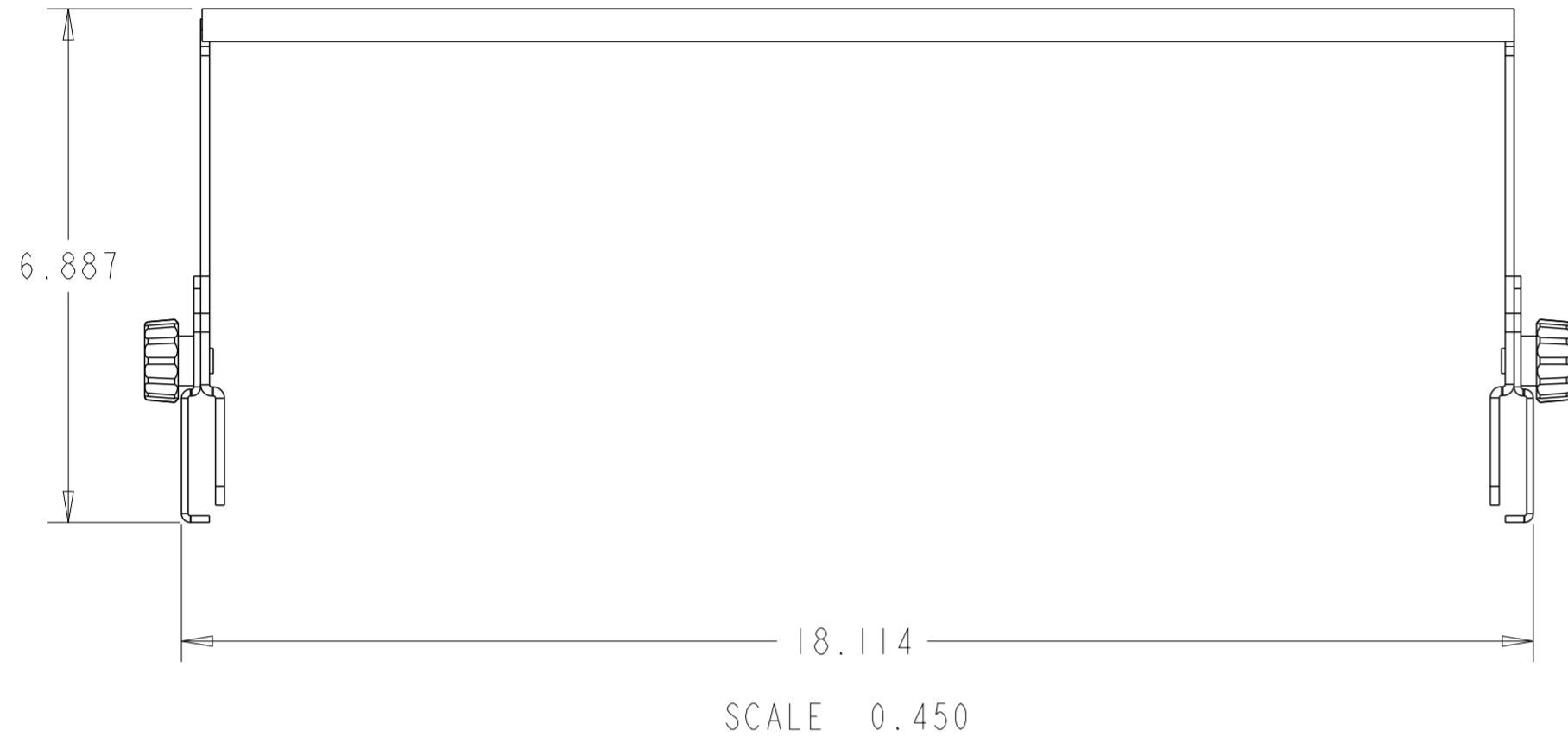


REVISIONS			
REV	CMO	DATE	APPROVED
A	40104184CMO	23-JAN-2020	MAM
B	40108348CMO	21-MAY-2020	RAT

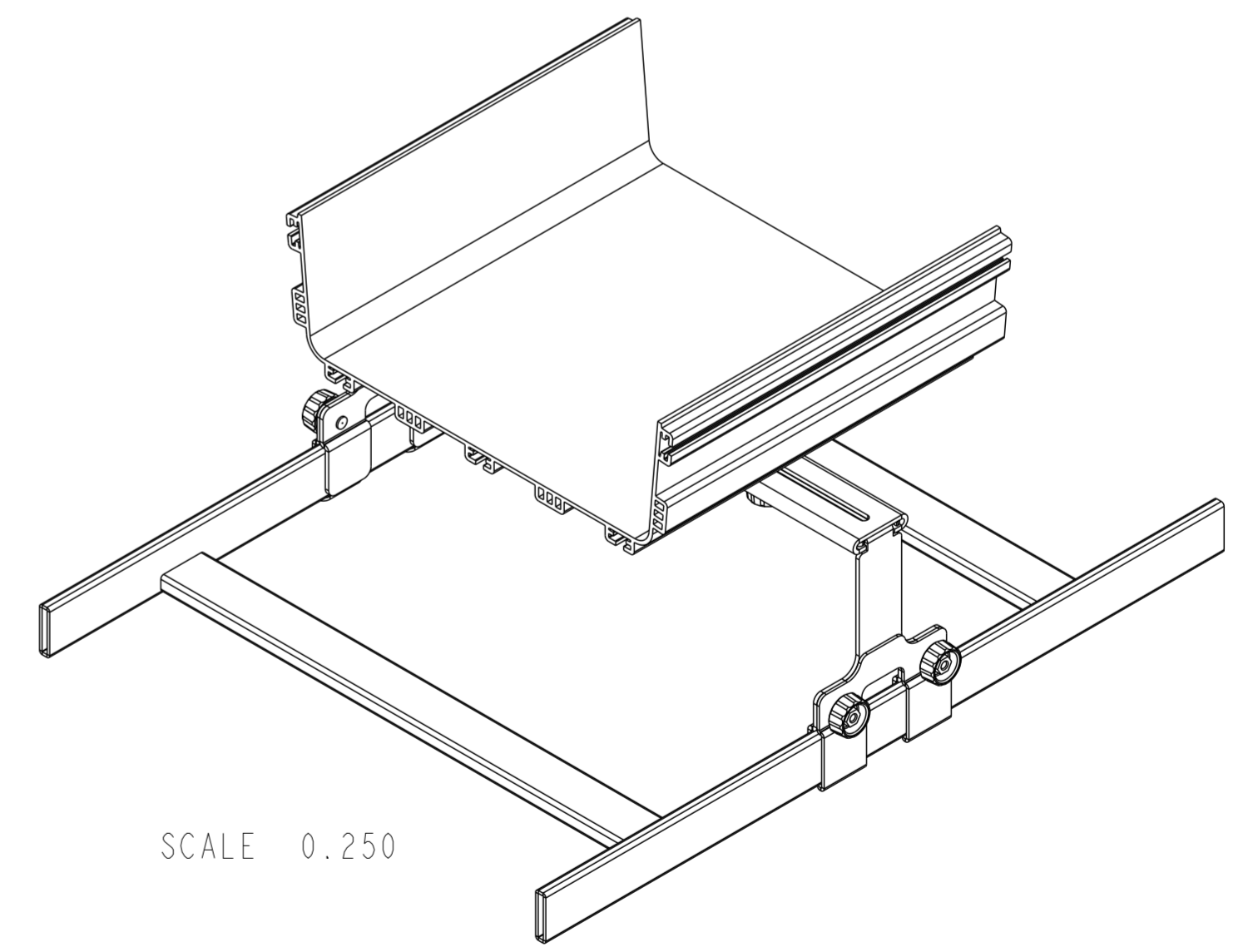
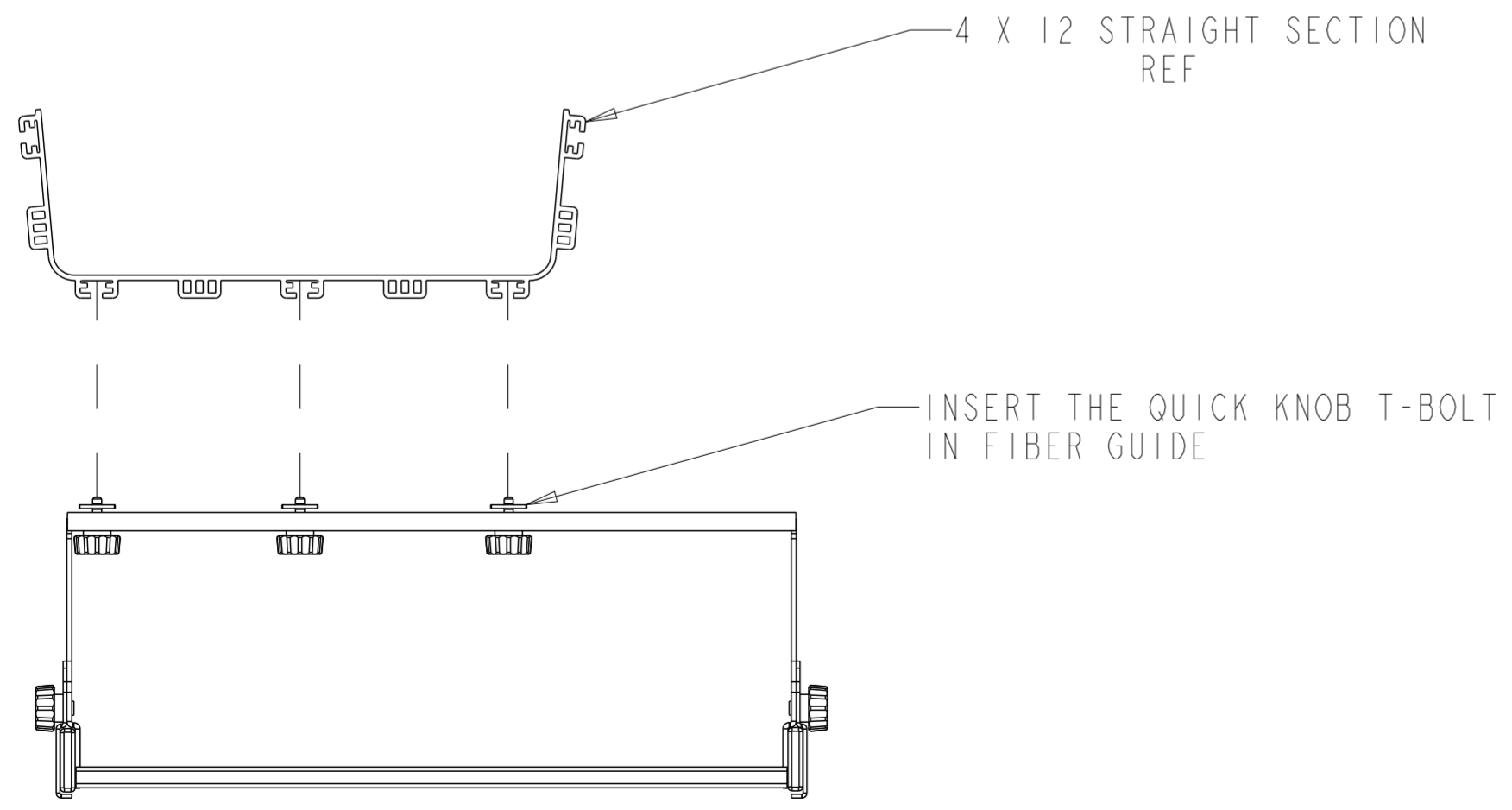
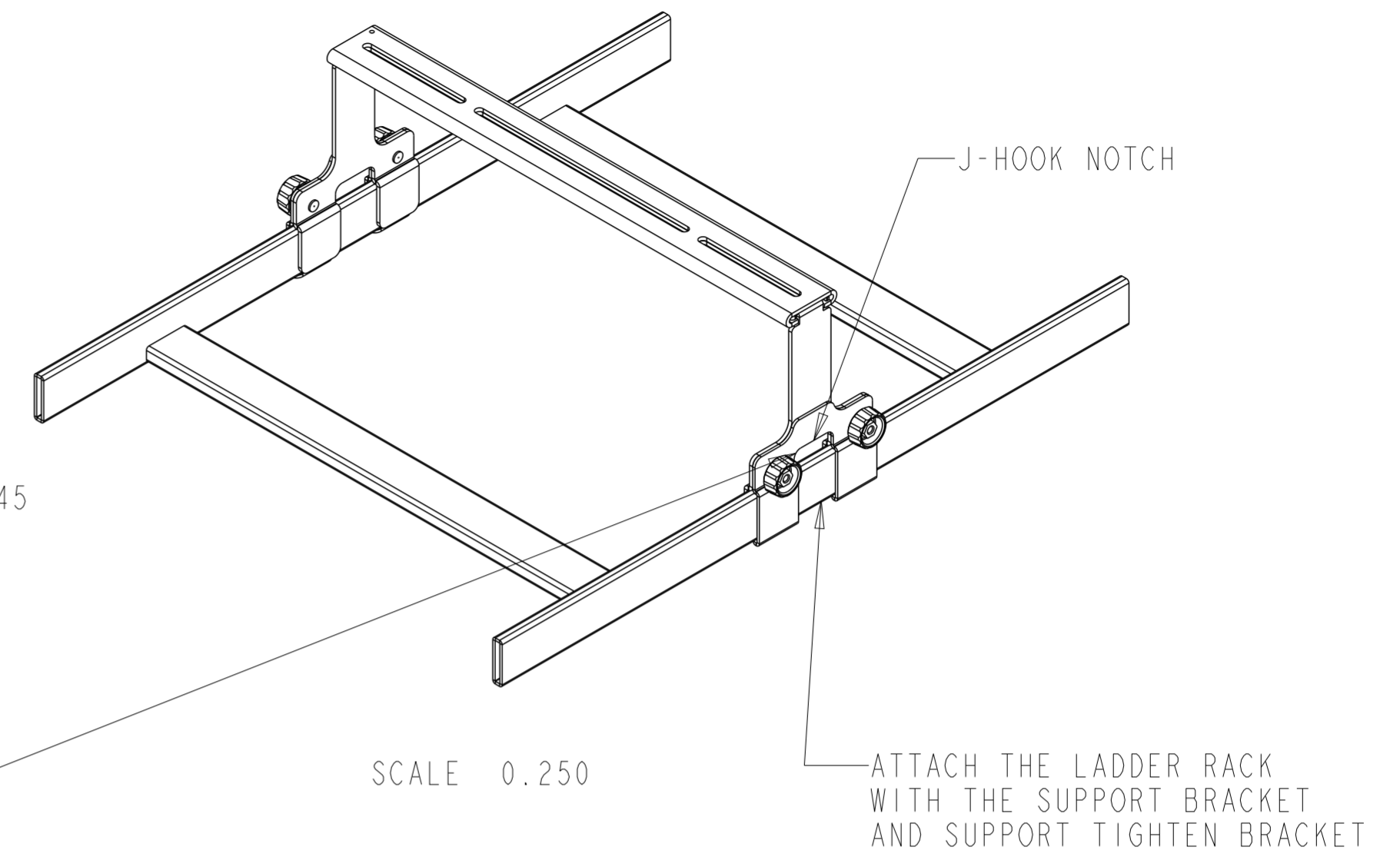
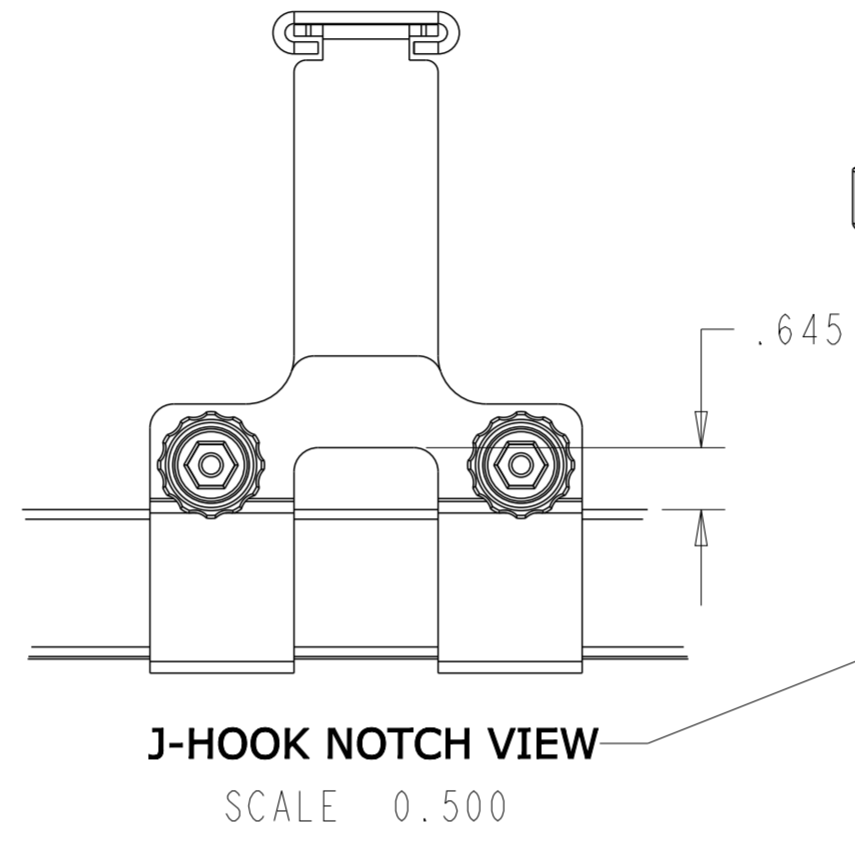
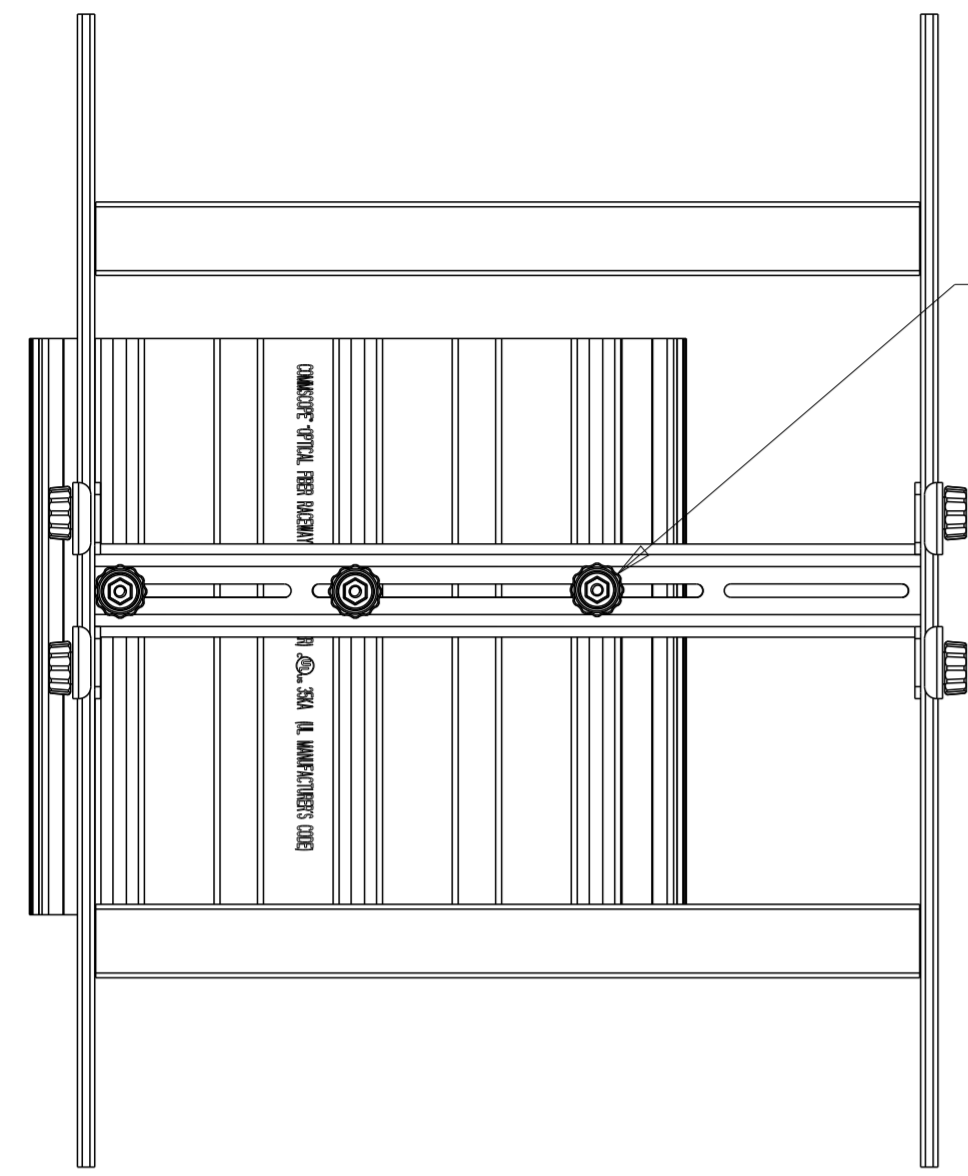
TOOL-LESS FGS SUPPORT BRACKET 18"



FGS-HTBK-18-5	NON-SLIDING
FGS-HTBK-S-18-5	SLIDING
CATALOG NUMBER	SLIDING

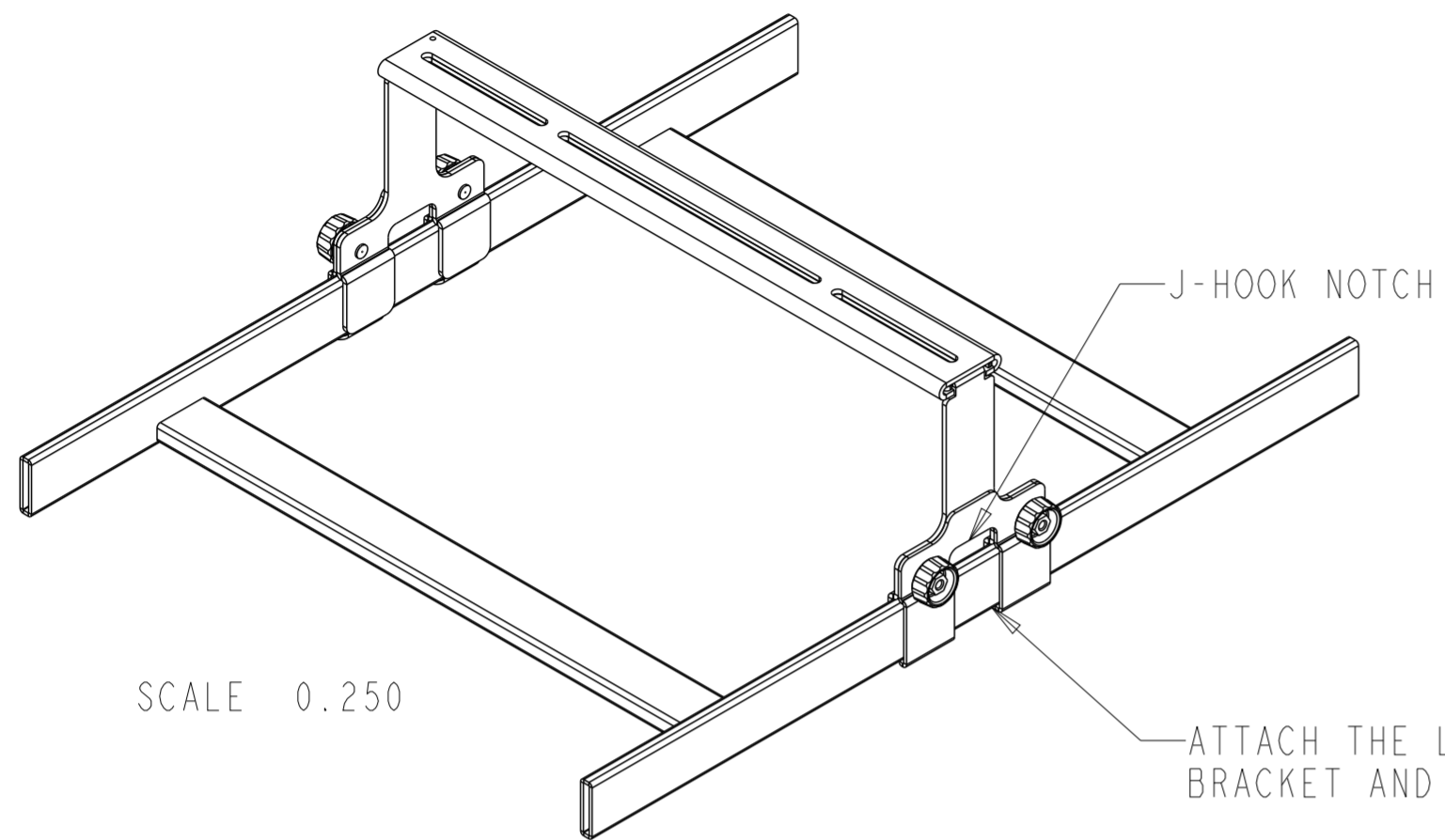
COMMSCOPE, INC.			
DRAFTER RUBEN ARVILLA	TITLE FGS, TOOL-LESS 18" SUPPORT BRACKET W/WO SLIDING INSTLL DWG		
ENGINEER RUBEN ARVILLA	SIZE A2	SCALE 0.040	DOCUMENT NO. 660004274
CUSTOMER DRAWING			REVISION B
			SHEET 1 OF 3

4 X 12 STRAIGHT SECTION REF ASSEMBLY

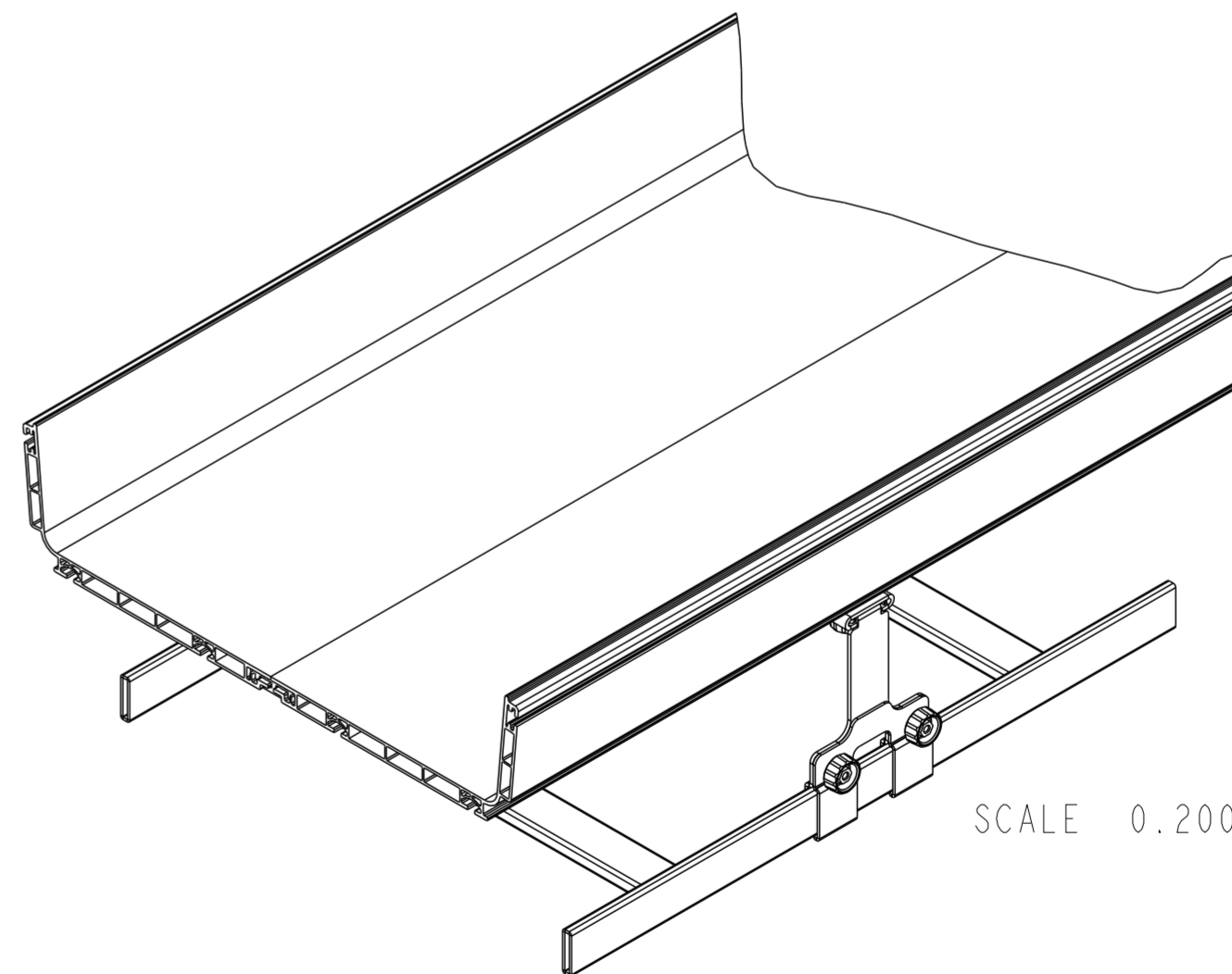
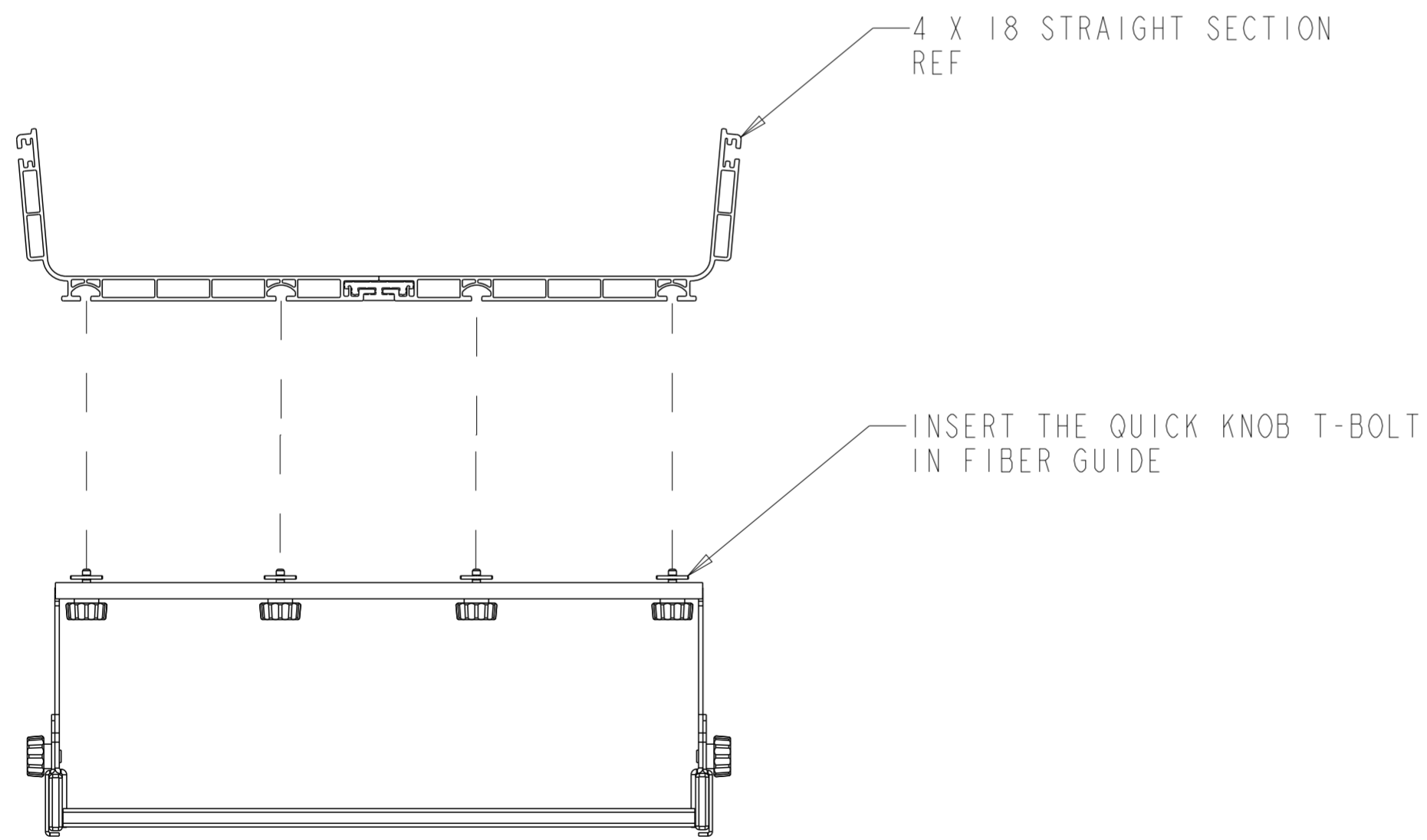
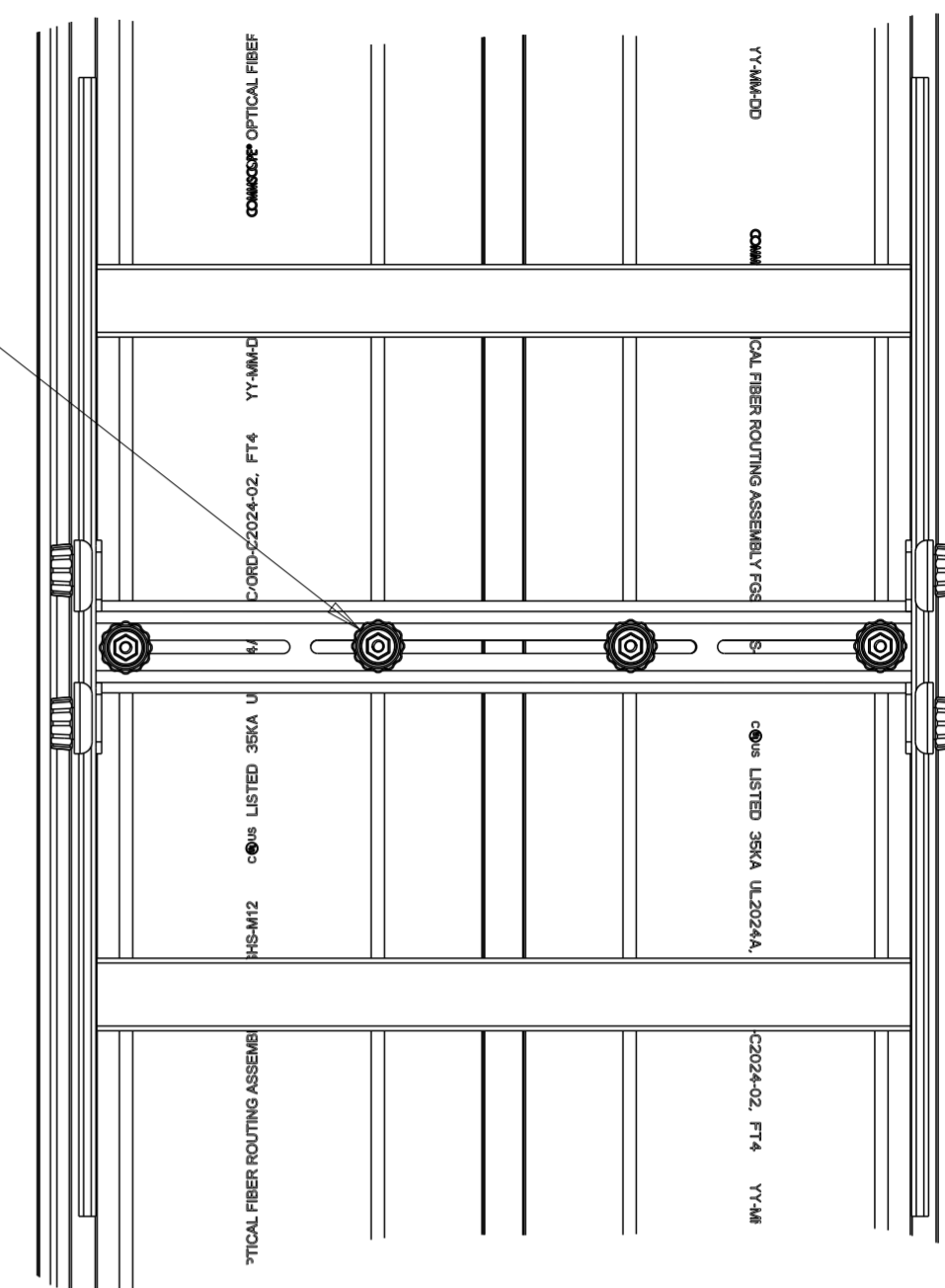


COMMSCOPE, INC.			
DRAFTER RUBEN ARVILLA	TITLE FGS, TOOL-LESS 18" SUPPORT BRACKET W/WO SLIDING INSTLL DWG		
ENGINEER RUBEN ARVILLA	SIZE A2	SCALE 0.040	DOCUMENT NO. 660004274
CUSTOMER DRAWING			REVISION B
			SHEET 2 OF 3

4 X 18 STRAIGHT SECTION REF ASSEMBLY



ATTACH QUICK KNOB WITH T-BOLT WITH THE FIBER GUIDE



COMMSCOPE, INC.			
DRAFTER RUBEN ARVILLA	TITLE FGS, TOOL-LESS 18" SUPPORT BRACKET W/WO SLIDING INSTLL DWG		
ENGINEER RUBEN ARVILLA	SIZE A2	SCALE 0.040	DOCUMENT NO. 660004274
CUSTOMER DRAWING			REVISION B
			SHEET 3 OF 3