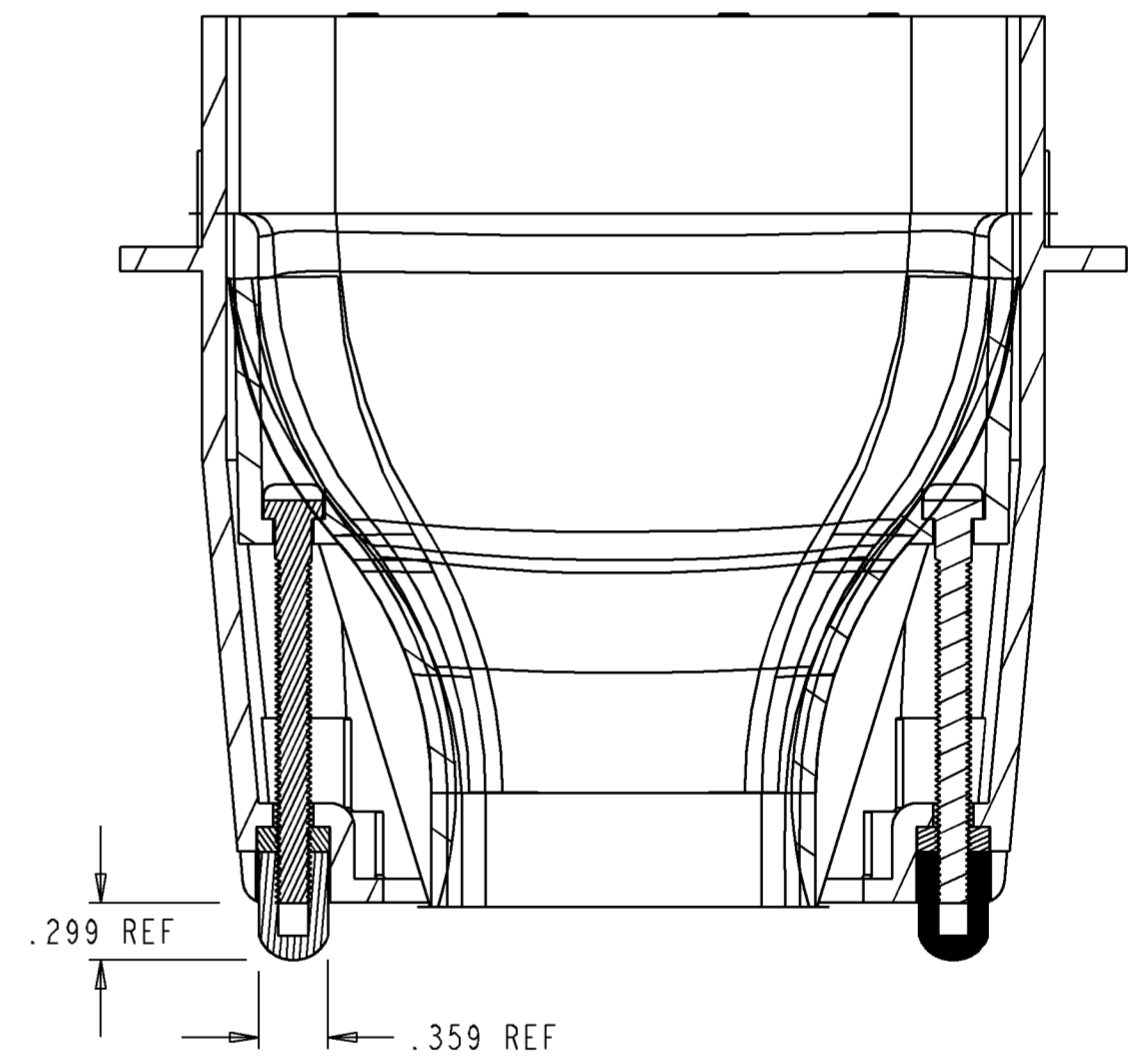
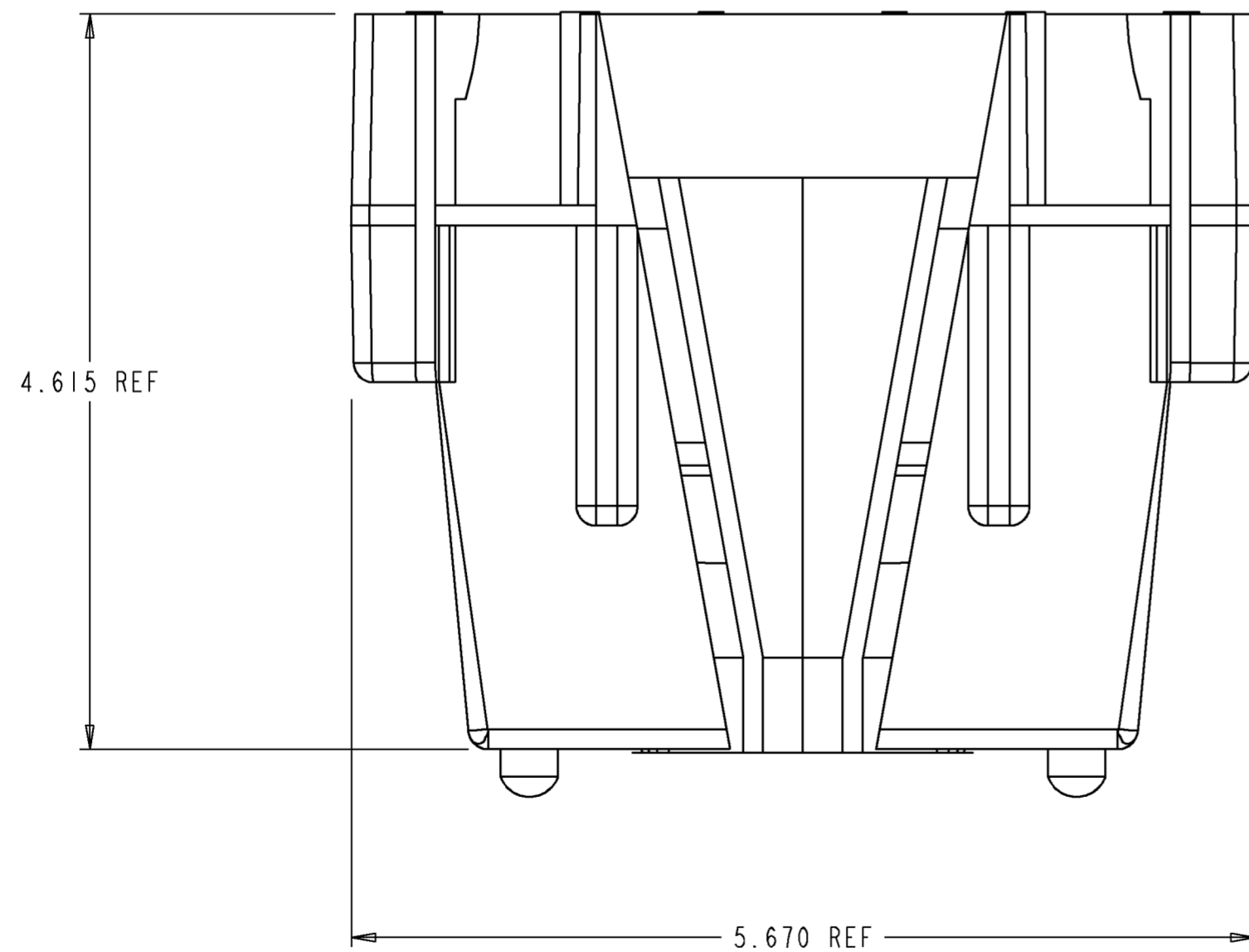
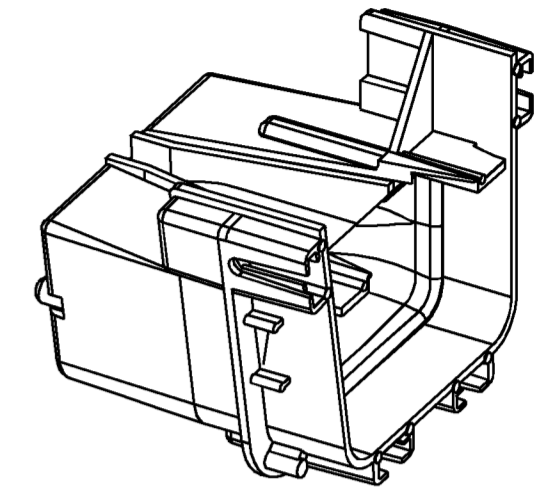
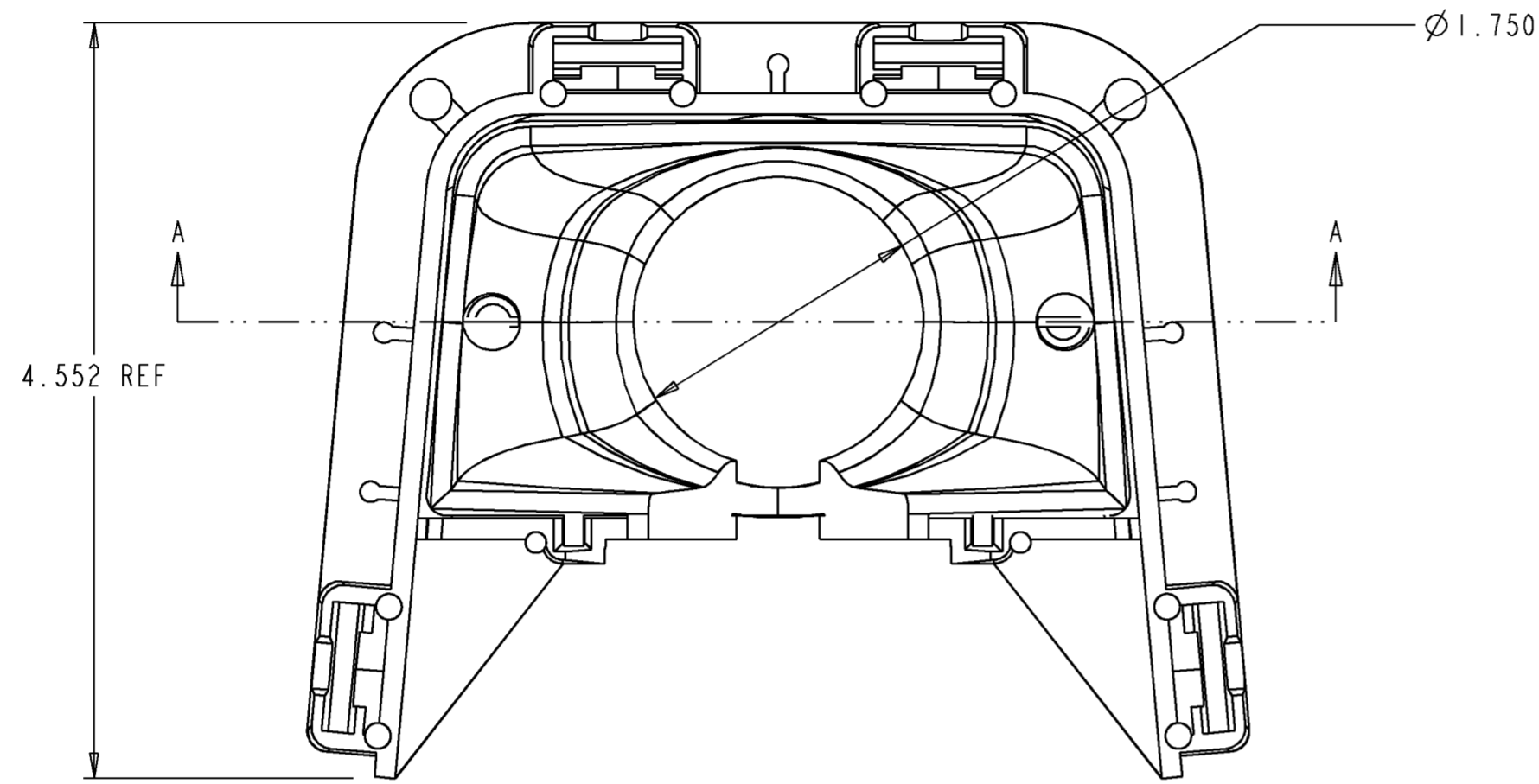


REV	MCO	DWN	DATE
A	96430	MV	3-4-92
B	20269009	JSL	14-JUL-09



SECTION A-A
SCALE 1.000

FGSB-MSRA-A	BLACK
FGSO-MSRA-A	ORANGE
FGS-MSRA-A	YELLOW
CATALOG	COLOR

NOTES:

- ALL NON-METALIC COMPONENTS OF THIS ASSEMBLY ARE SELF EXTINGUISHING WITH AL UL 94 RATYING OF V-0.



INFORMATION ON THIS DOCUMENT IS PROPRIETARY TO ADC AND SHALL NOT BE USED, COPIED, REPRODUCED OR DISCLOSED IN WHOLE OR IN PART WITHOUT WRITTEN CONSENT OF ADC.

ALL DIMS AND TOLERANCES ARE INCHES UNLESS OTHERWISE SPECIFIED

DO NOT SCALE DRAWING

TITLE FIBERGUIDES ROUND TO SQUARE ADAPTER INSTALLATION DRAWING

DRAWING NUMBER 4-29000-2068

SHT. 1 OF 1

ENGR: B. HENNEBERGER

DWN: D. CARPENTER

**DIMENSIONS IN INCHES
THIRD ANGLE PROJECTION**