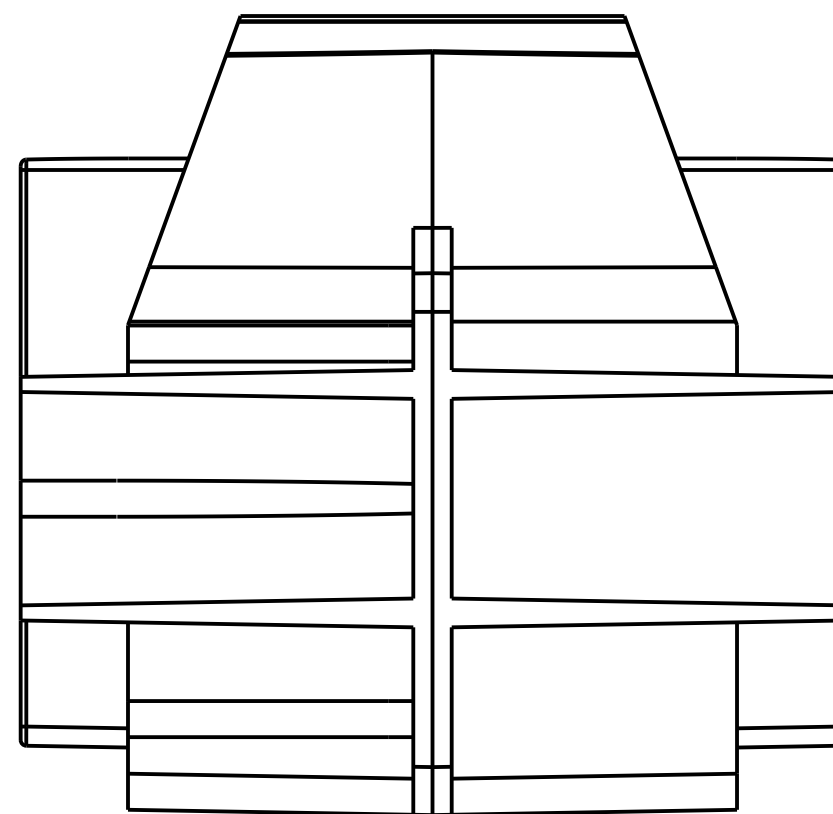
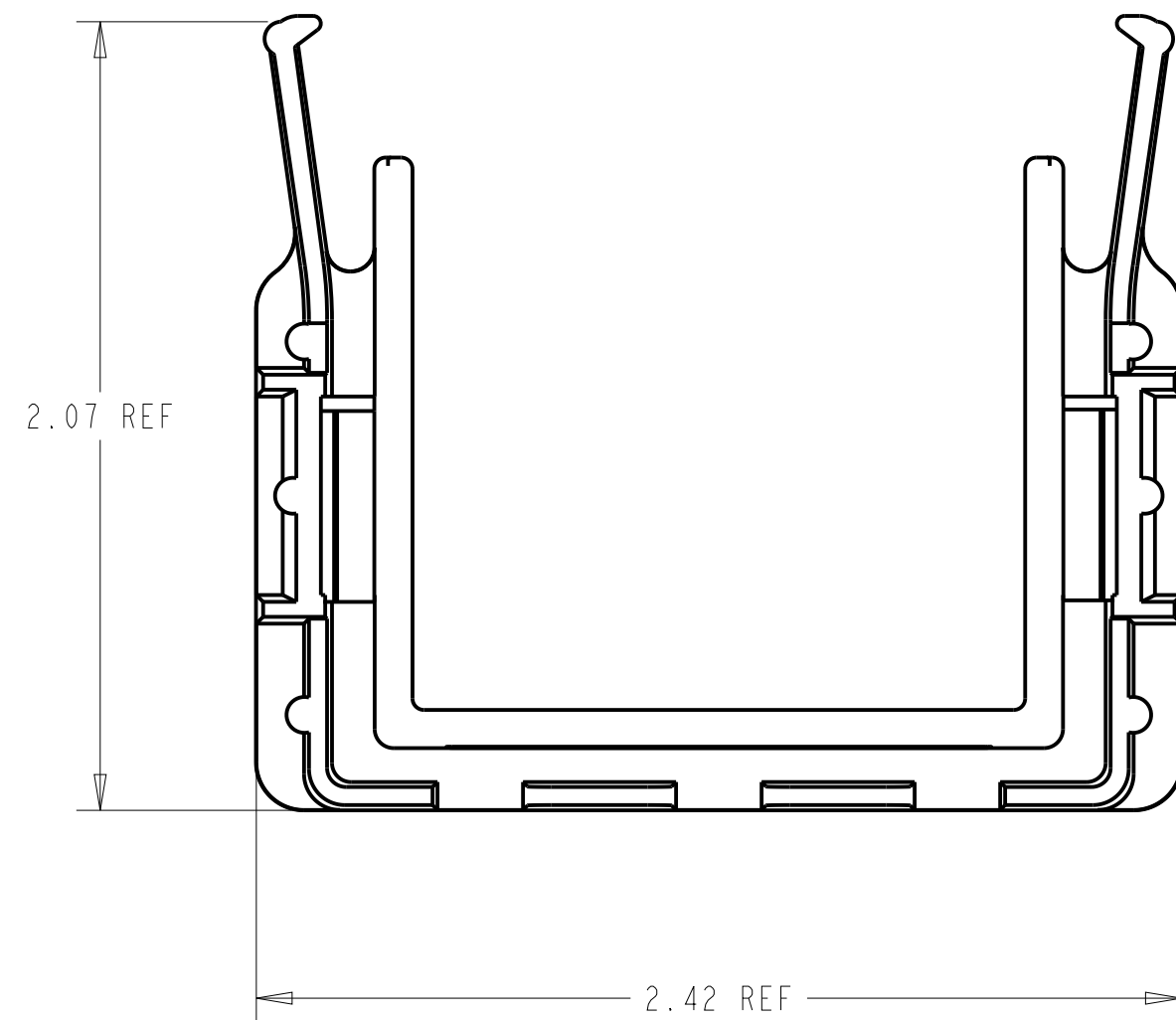
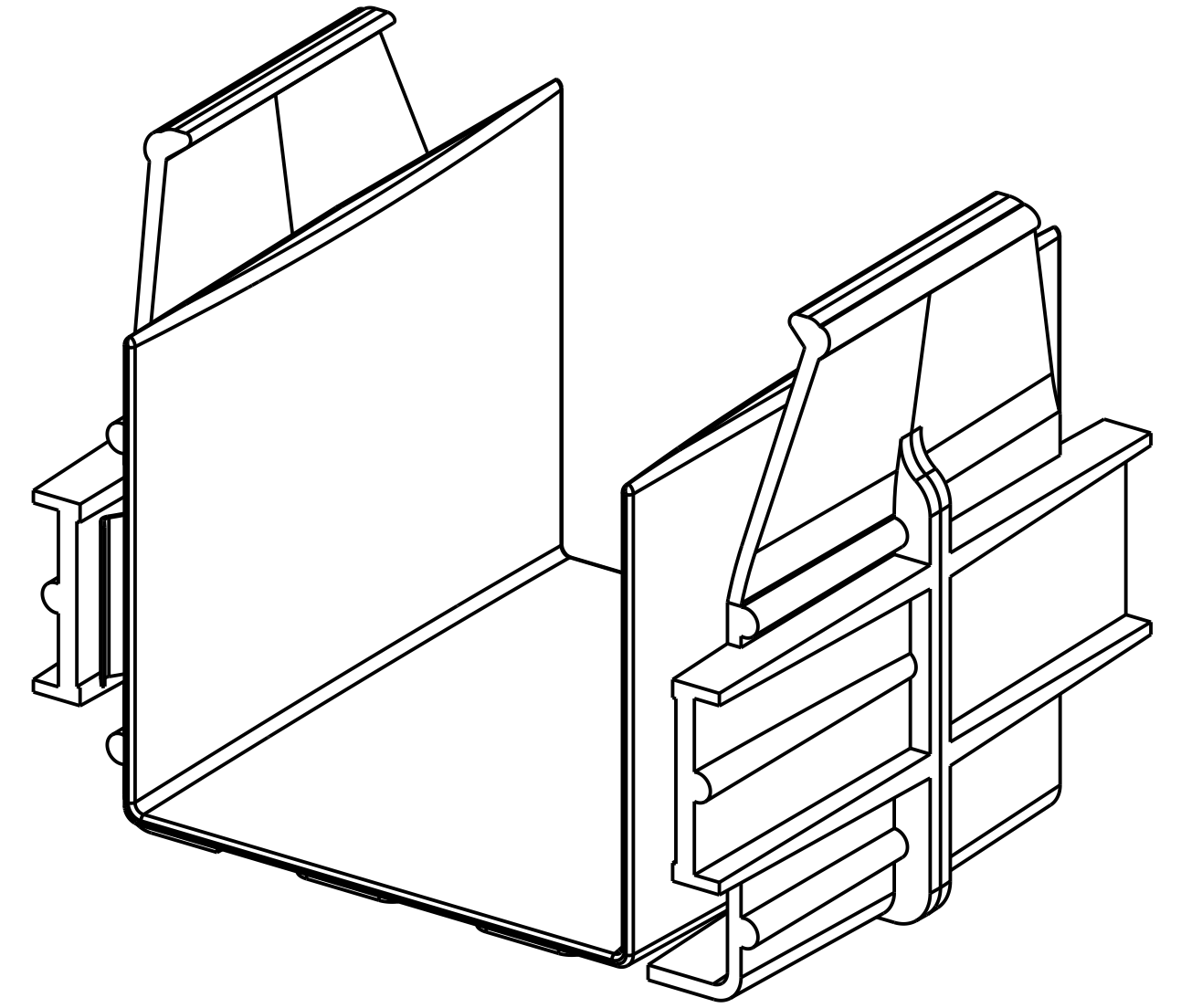
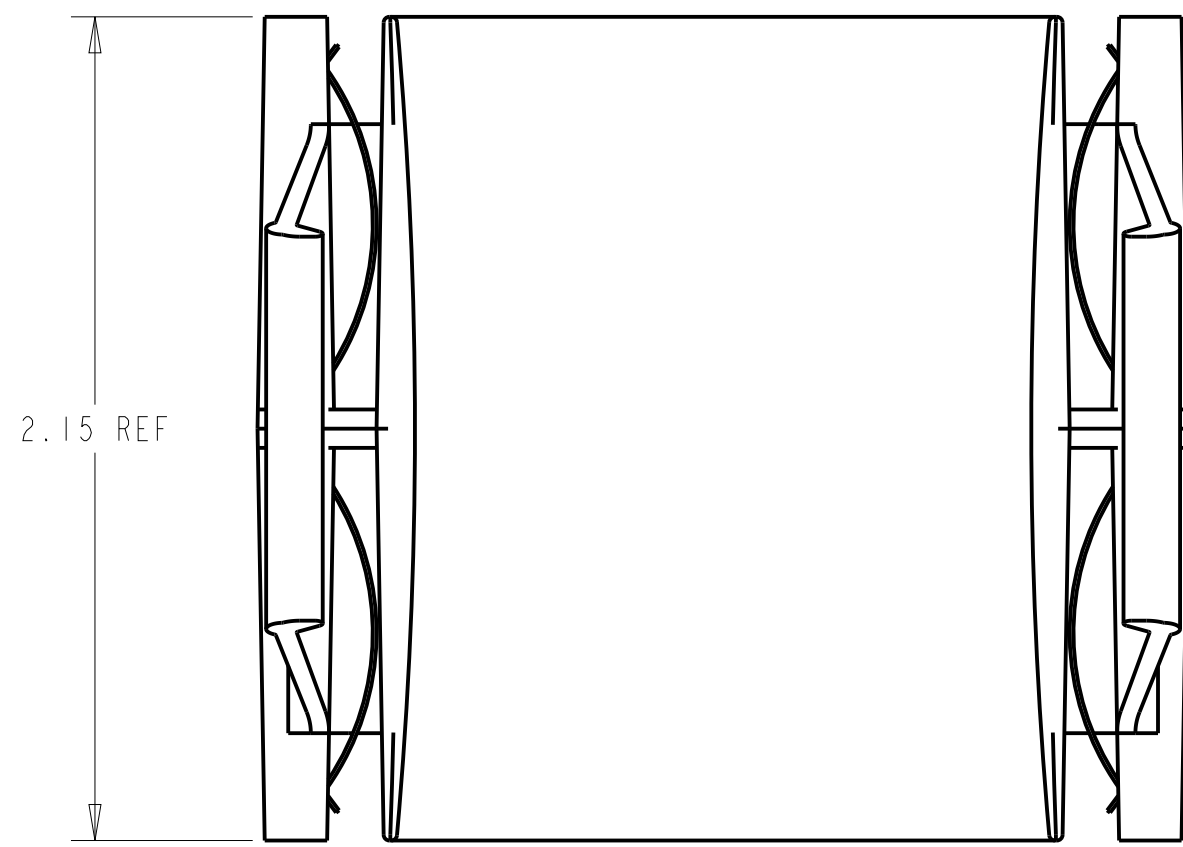


REV	MCO	DWN	DATE
C	20240874	AED	27-MAY-08
D	8000018757	TH	05-JAN-17



NOTES:

1. MATERIAL IS SELF EXTINGUISHING WITH A UL 94 RATING OF V-0.

COMMSCOPE, INC.

FGSB-MJWR-C	BLACK	1
FGS-MJWR-C	YELLOW	1
CATALOG NUMBER/MID	COLOR	JUNCTION QTY

<small>© 2016 COMMSCOPE, INC. CONFIDENTIAL NOTICE: THESE DRAWINGS AND SPECIFICATIONS ARE THE PROPRIETARY PROPERTY OF COMMSCOPE, INC. AND MAY BE USED ONLY FOR THE SPECIFIC PURPOSE AUTHORIZED IN WRITING BY COMMSCOPE, INC.</small>		TITLE FGS 2X2 JUNCTION INSTALLATION DRAWING	
<small>ALL DIMS AND TOLERANCES ARE INCHES UNLESS OTHERWISE SPECIFIED</small>	<small>.XX:±N/A .XXX:±N/A ANGULAR:±N/A</small>	C SIZE DRAWING NUMBER 1143339_ADC	D REV
DO NOT SCALE DRAWING	ENGR: M. FERRIS DWN: J. ANDERSON	SHT. 1 OF 2	

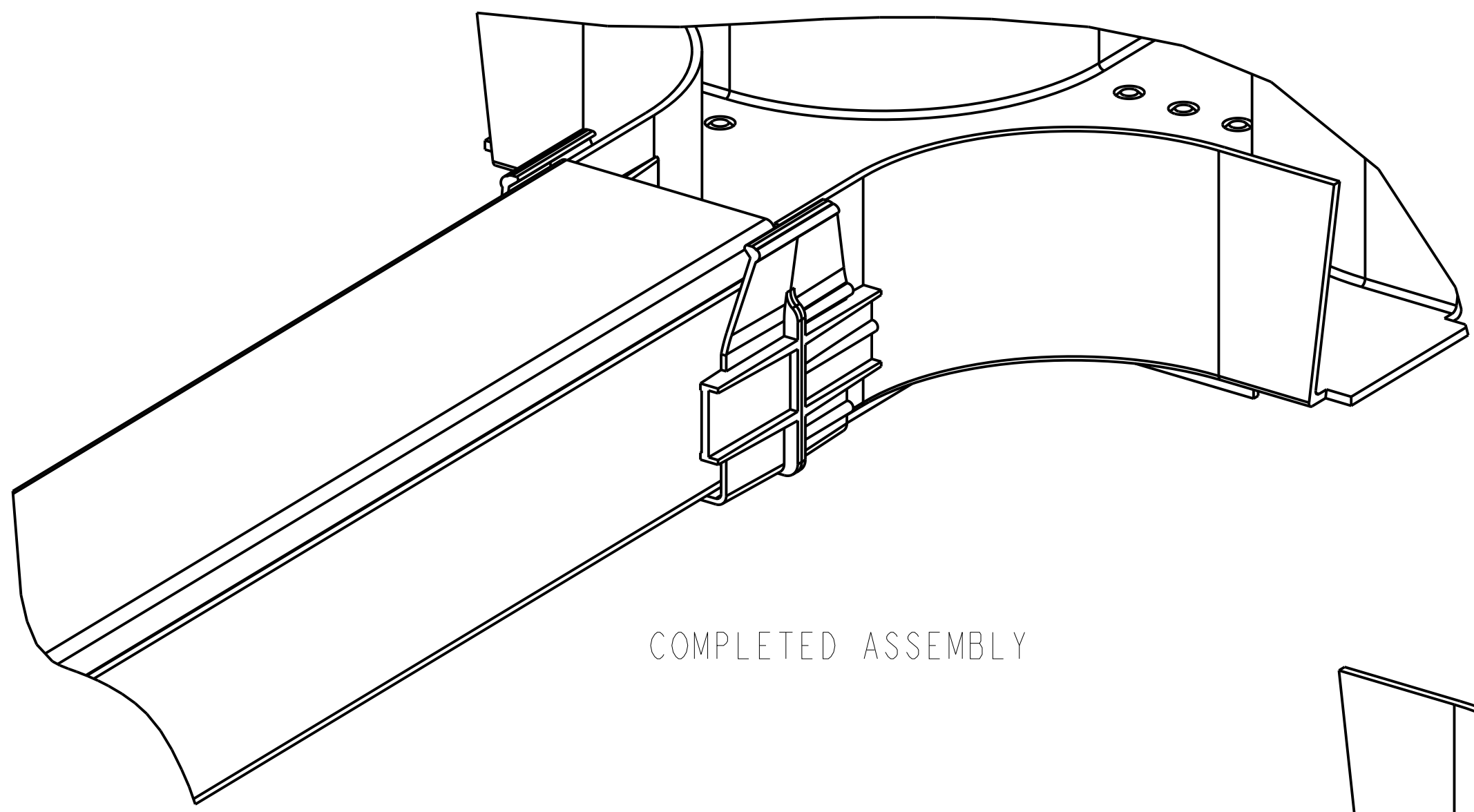
DIMENSIONS IN INCHES
 THIRD ANGLE PROJECTION

A

B

C

D



COMPLETED ASSEMBLY

FGS 2X2 JUNCTION

FGS 2X2 MOLDED FITTING REF.
(CROSS IS SHOWN)

FGS 2X2 STRAIGHT SECTION W/COVER REF.

FIGURE 1

INSTALLATION INSTRUCTIONS:

- 1. SLIDE FGS FITTING OR STRAIGHT SECTION UNTIL FIRMLY SEATED AGAINST THE CENTER RIB.

© 2016 COMMSCOPE, INC. CONFIDENTIAL
 NOTICE: THESE DRAWINGS AND SPECIFICATIONS
 ARE THE PROPRIETARY PROPERTY OF
 COMMSCOPE, INC. AND MAY BE USED ONLY FOR THE
 SPECIFIC PURPOSE AUTHORIZED IN WRITING BY
 COMMSCOPE, INC.

TITLE FGS 2X2 JUNCTION
 INSTALLATION DRAWING

ALL DIMS AND TOLERANCES .XX:±N/A
 ARE INCHES UNLESS .XXX:±N/A
 OTHERWISE SPECIFIED ANGULAR:±N/A

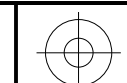
C SIZE DRAWING NUMBER D
 1143339_ADC REV

COMMSCOPE, INC.

DO NOT SCALE DRAWING

ENGR: M. FERRIS
 DWN: J. ANDERSON

SHT. 2 OF 2



DIMENSIONS IN INCHES
THIRD ANGLE PROJECTION

A

B

C

1

2

3

4

1

2

3

4