

# PM-SL4-96

---



Universal Taper Pipe Mount Slider Bracket, 4-1/2 in OD x 96 in pipe

## Product Classification

**Product Type** Pipe mount

## General Specifications

**Mounting** Saddle mounts

**Note** One 96 in x 8 in panel antenna per pipe mount

**Pipe, quantity** 1

**Tower Taper** Tapered

## Dimensions

**Height** 2,438.4 mm | 96 in

**Width** 152.4 mm | 6 in

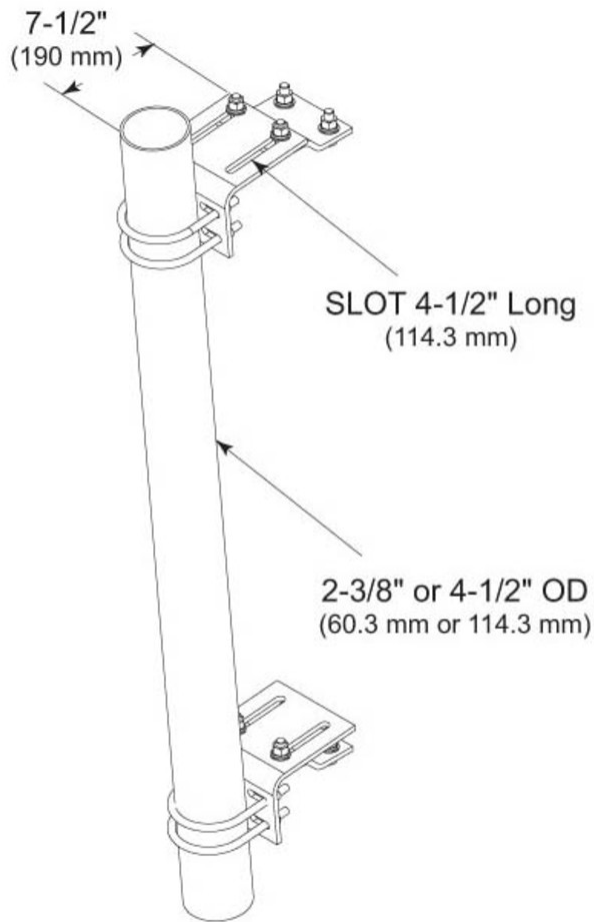
**Length** 304.8 mm | 12 in

**Pipe Length** 2,438.4 mm | 96 in

**Pipe Outer Diameter** 114.3 mm | 4.5 in

# PM-SL4-96

## Outline Drawing



## Material Specifications

**Material Type** Hot dip galvanized steel

## Mechanical Specifications

**Wind Rating** 120 mph (BWS) at 150 ft AGL

**Wind Rating Test Method** TIA/EIA-222

## Packaging and Weights

**Included** Hardware | Pipe | Sliding pipe mount brackets

**Packaging quantity** 1

# PM-SL4-96

---

**Weight, net**

54.1 kg | 119.27 lb

## Regulatory Compliance/Certifications

**Agency****Classification**

ISO 9001:2015

Designed, manufactured and/or distributed under this quality management system

## Included Products

- MT-654-96 – Plain End Pipe, 4-1/2 in OD x 96 in x .188" A500C 46Ksi
- PM-SL4 – Universal Taper Pipe Mount Slider Bracket for 4-1/2 in OD pipe

## \* Footnotes

**Wind Rating**

BWS—Base Wind Speed; FBC—Florida Building Code