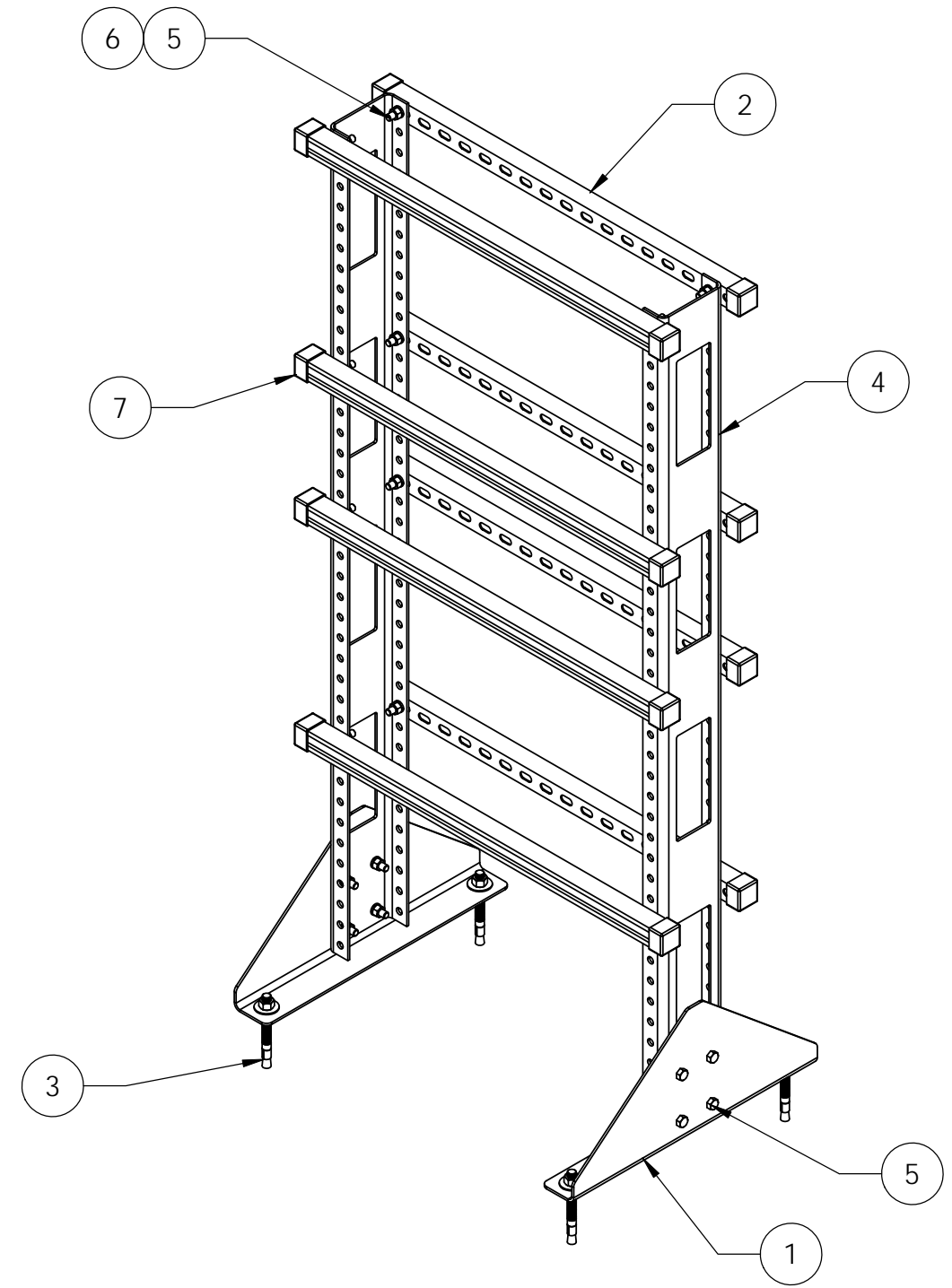
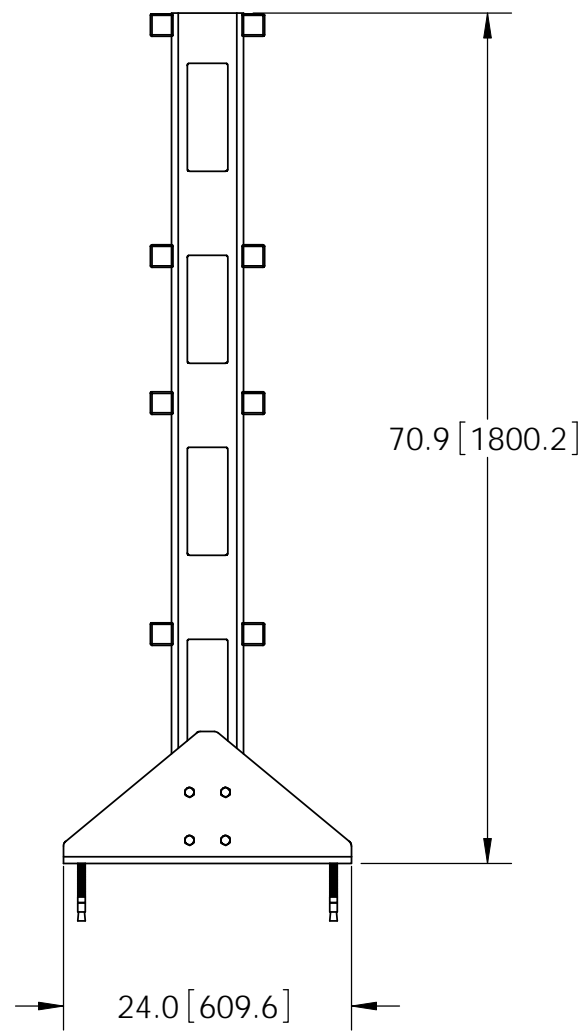
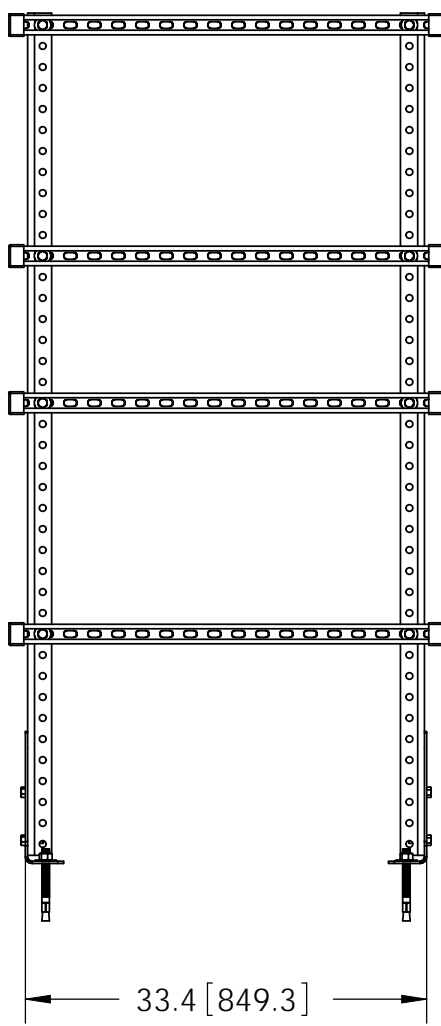
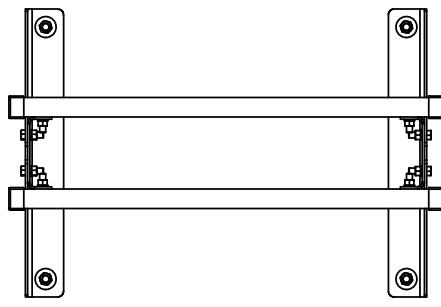



ITEM	PART NO.	DESCRIPTION	QTY.	WEIGHT
1	MTC333901	PEDASTAL MOUNT FOOT	2	11.90 LBS
2	MT50436	1-5/8" SQ. SUPPORT RAIL 36" LONG	8	5.62 LBS
3	MT-280	5/8" ANCHOR BOLT	4	0.61 LBS
4	MTC333902	SIDE SUPPORT CHANNEL	2	26.75 LBS
5	GB-04145	1/2" X 1-1/2" GALV BOLT KIT	24	0.13 LBS
6	GWF-04	1/2" GALV FLAT WASHER	16	0.03 LBS
7	PTCR.01	END CAP	16	0.06 LBS

REVISIONS				
REV.	ZONE	DESCRIPTION	BY	DATE
A		INITIAL RELEASE	MSM	01/03/12
B		ADD TOP VIEW	MSM	04/03/13



NOTES:  
 1. ALL METRIC DIMENSIONS ARE IN BRACKETS.

These drawings and specifications are the proprietary property of CommScope Inc. and may be used only for the specific purpose authorized in writing by CommScope Inc.  ALL DIMENSIONS ARE IN INCHES U.O.S. TOLERANCES UNLESS OTHERWISE SPECIFIED: .X = ± .12      ANGLES      ±2° .XX = ± .06      FRACTIONS      ±1/32 .XXX = ± .03  REMOVE BURRS AND BREAK EDGES .005  DO NOT SCALE THIS PRINT	DRAWN BY: MSM CHECKED BY: TP DATE: 01/03/12 REVISION: B	SHEET: 1 of 1 SCALE: NTS MATERIAL: A36 FINISH: GALV A123 WEIGHT: 130.76 LBS	PART NUMBER: MTC3339PM DESCRIPTION: RRH Pad Mount DRAWING TYPE: ASSEMBLY DRAWING   WESTCHESTER, IL. 60154 U.S.A.
---	--	---	---