

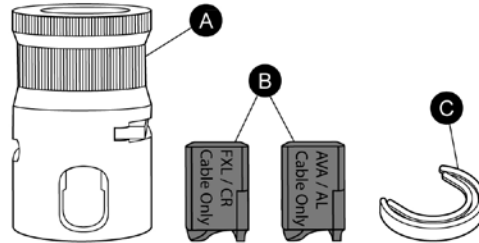
Hand Cable Preparation Tools – HPT Series for FXL and AVA Coaxial Cables

Bulletin 7580732 Rev. F | Page 1 of 2

POWERED BY



Preparation Tool	
Cable Size	Part Number
1/2"	12-HPT
7/8"	78-HPT



Replacement Saw Guides for corrugated cables		
Cable	Part Number	Description
AVA5-50FX, AVA5-50	A5-SG	Saw guide for cable, kit of 10

For Smoothwall Cables: FXL 540, FXL 780 and EZFit® Series Connectors

CAUTION: Edges of blades protruding past body of the tool are sharp and may cause injury

1

2

3

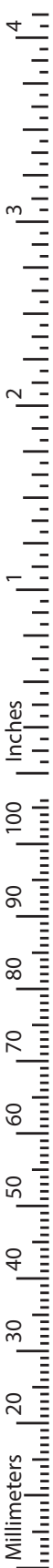
Before using, verify that the blade edge is free from any signs of wear, abrasion or damage. Confirm that the interior of the tool is completely clear, with no debris or foreign materials present.

4

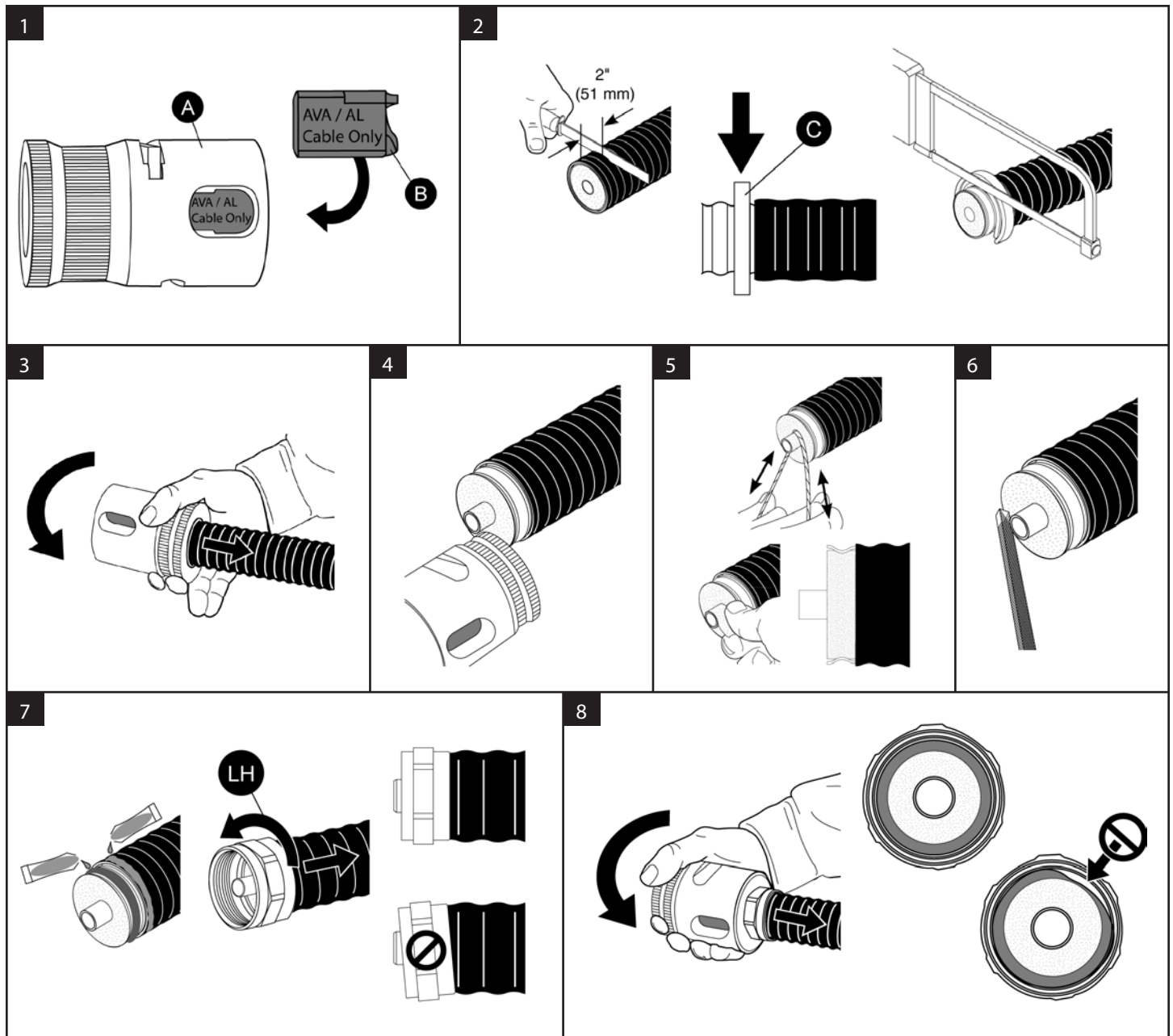
5

6

7



For Smoothwall Cables: FXL 540, FXL 780 and EZFit® Series Connectors



CommScope
 1100 CommScope Place SE P.O. Box 339, Hickory, NC 28603-0339
 (828) 324-2200 (800) 982-1708
www.commscope.com/andrew

Customer Service 24 hours
 North America: +1-800-255-1479 (toll free)
 Any country: +1-779-435-6500
 email: acustomersupportcenter@commscope.com

Notice: CommScope disclaims any liability or responsibility for the results of improper or unsafe installation, inspection, maintenance, or removal practices.
 Aviso: CommScope no acepta ninguna obligación ni responsabilidad como resultado de prácticas incorrectas o peligrosas de instalación, inspección, mantenimiento o retiro.
 Avis: CommScope décline toute responsabilité pour les conséquences de procédures d'installation, d'inspection, d'entretien ou de retrait incorrectes ou dangereuses.
 Hinweis: CommScope lehnt jede Haftung oder Verantwortung für Schäden ab, die aufgrund unsachgemäßer Installation, Überprüfung, Wartung oder Demontage auftreten.
 Atenção: A CommScope abdica do direito de toda responsabilidade pelos resultados de práticas inadequadas e sem segurança de instalação, inspeção, manutenção ou remoção.
 Avvertenza: CommScope declina eventuali responsabilità derivanti dall'esecuzione di procedure di installazione, ispezione, manutenzione e smontaggio improprie o poco sicure.
 注意: CommScope 公司申明對於不恰當或不安全的安裝、檢驗、維修或拆卸操作所導致的後果不負任何義務和責任