

4

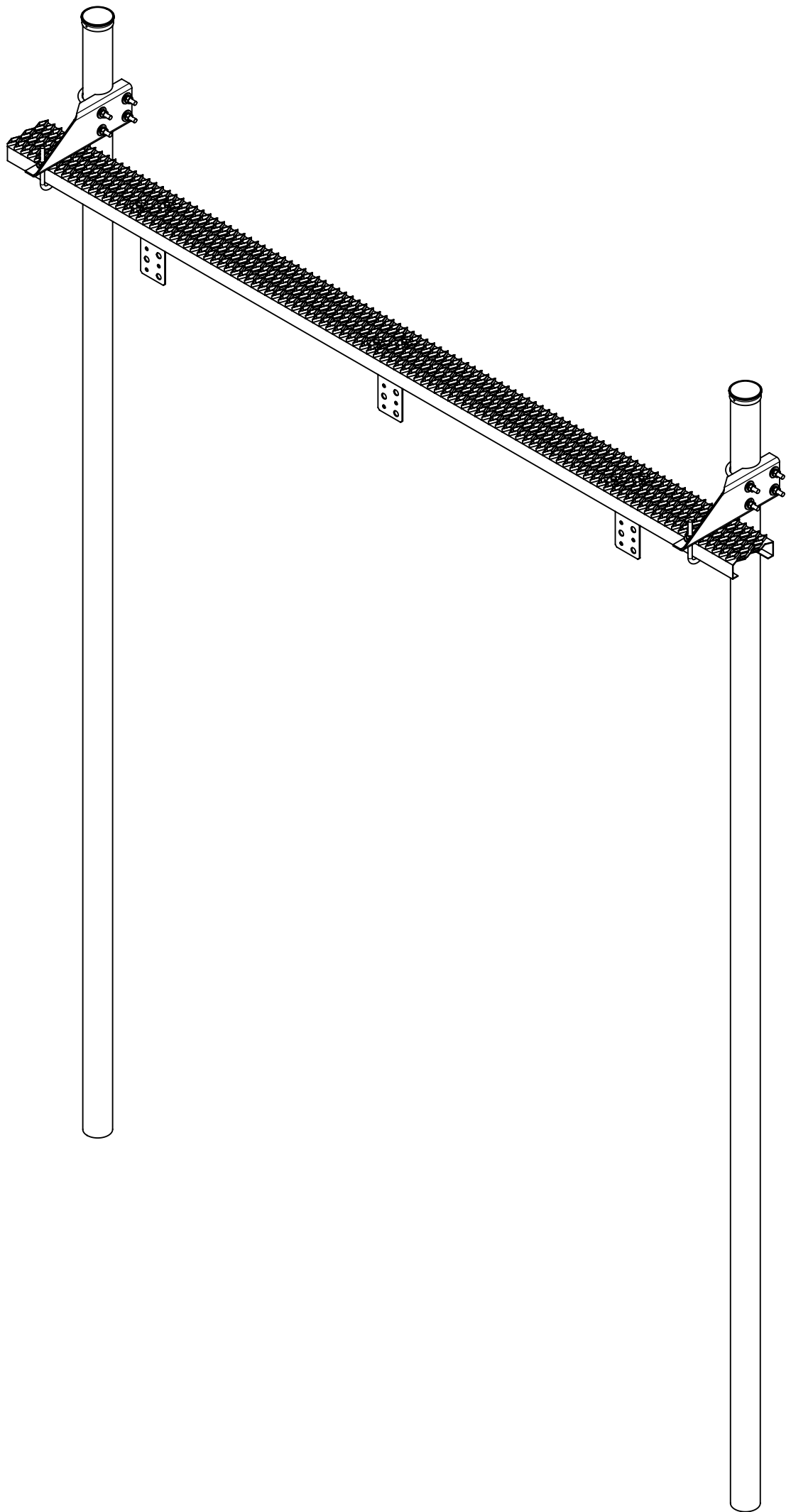
3

2

1

- 1.0 GENERAL NOTES
 - 1.1 ALL METRIC DIMENSIONS ARE IN BRACKETS [X. X]
 - 1.2 FOR PATENT INFO: <https://www.cs-pat.com>
- 2.0 DESIGN NOTES
- 3.0 MANUFACTURING/SPECIAL REQUIREMENTS
 - 3.1 TIGHTEN ALL BOLTS SECURING FLAT PLATES BY THE TURN-OF-NUT METHOD. TIGHTEN ALL U-BOLTS USING TURN-OF-NUT METHOD WITH ATTENTION TO LEAVE EQUAL DISTANCE AND EQUAL FORCE ON EACH LEG OF THE U-BOLT.
- 4.0 TEST
- 5.0 PACKAGING
 - 5.1 PACKAGING SHALL MEET COMMSCOPE REQUIREMENTS PER DOCUMENT IS-PL-3005
 - 5.2 PRINTED DOCUMENT TO BE PLACED INSIDE POLYBAG AND THEN IN SHIPPING CONTAINER
 - 5.3 EXTRA HARDWARE MAYBE SUPPLIED, BAGGED AND SHIPPED

REVISIONS			
REV.	DESCRIPTION	DATE	APPROVED
A	INITIAL RELEASE		



COMMSCOPE, INC. OF NORTH CAROLINA				
TOLERANCES		SAP MATERIAL MASTER		
1 PLACE .X[X] ± 0.2[6.3]	3 PLACE .XXX[X] ± 0.060[1.5]	WB-K0710-B		
2 PLACE .XX[X] ± 0.12[3.0]	ANGLES ± 2°			
FINISH		MATERIAL		
UNLESS OTHERWISE SPECIFIED DIMENSIONS ARE IN INCHES INTERPRET PER ANSI Y 14.5M-1994	NAME	DATE	CABLE BRIDGE KIT 7" W/BURIAL POSTS	
	CE	YMENG		24OCT23
	RW			
	AD			
	RE			
ECN				
		SCALE	DOCUMENT NO.	
		1:24		
SIZE	Auth Group	MODEL		
C		VERSION	STATUS	
		REVISION	REVISION	
		DRAWING	DRAWING	
		VERSION	STATUS	
		REVISION	REVISION	
			SHEET	
			1 OF 2	

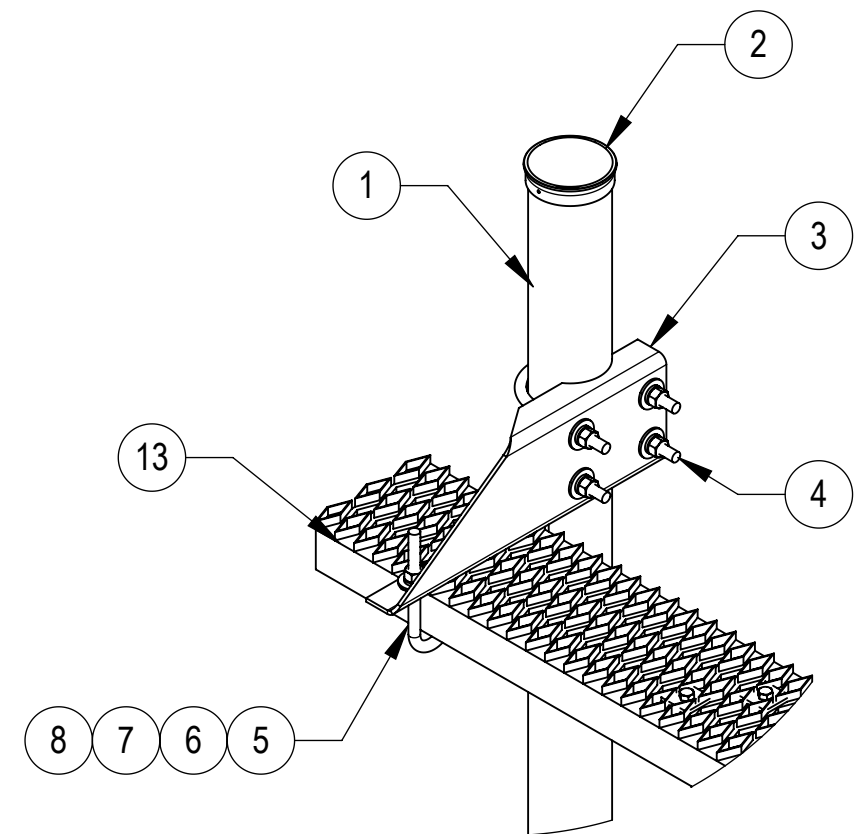
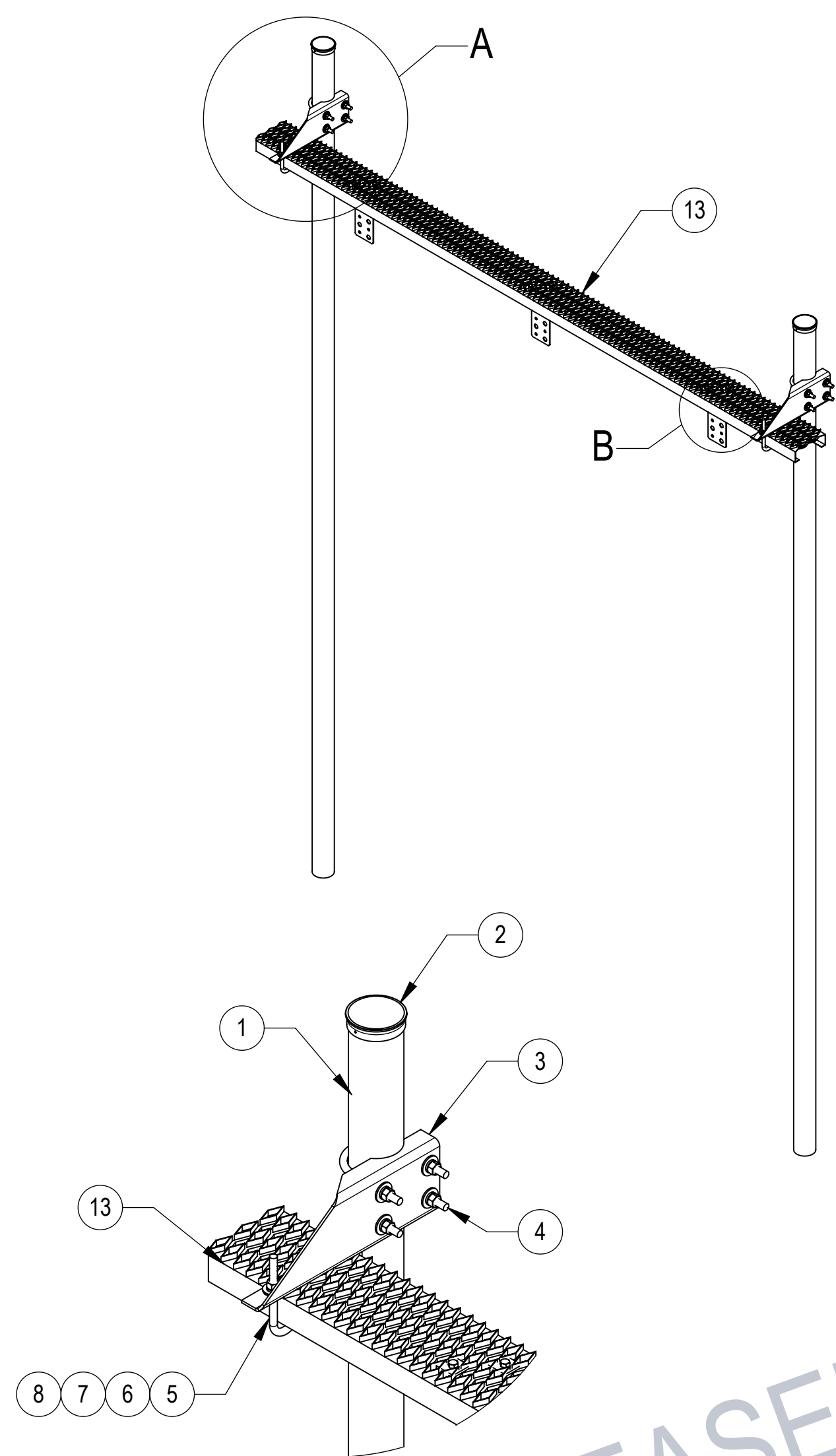
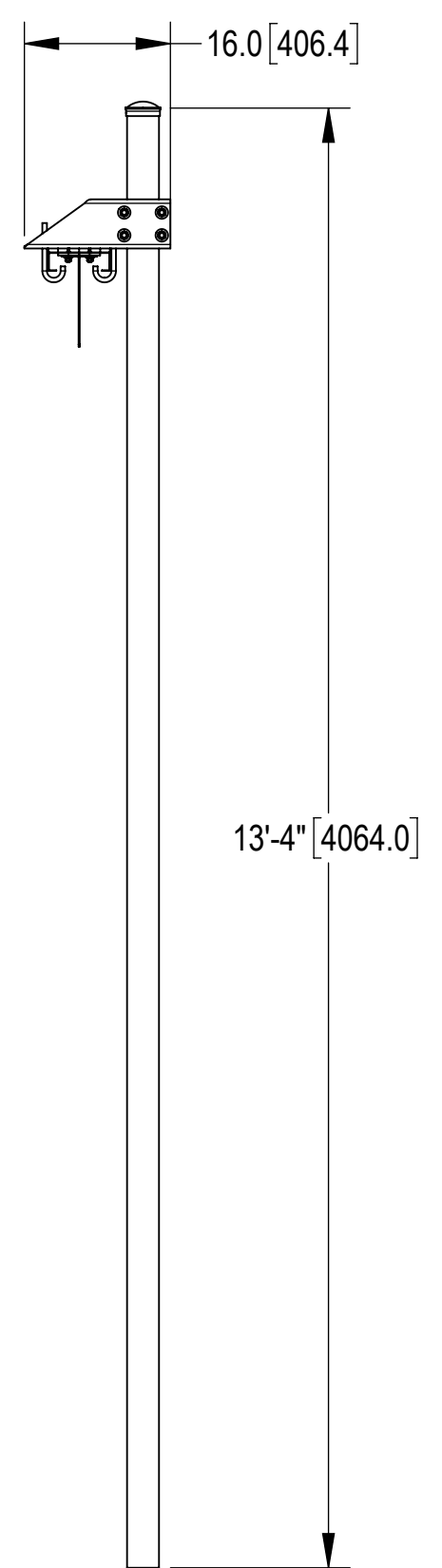
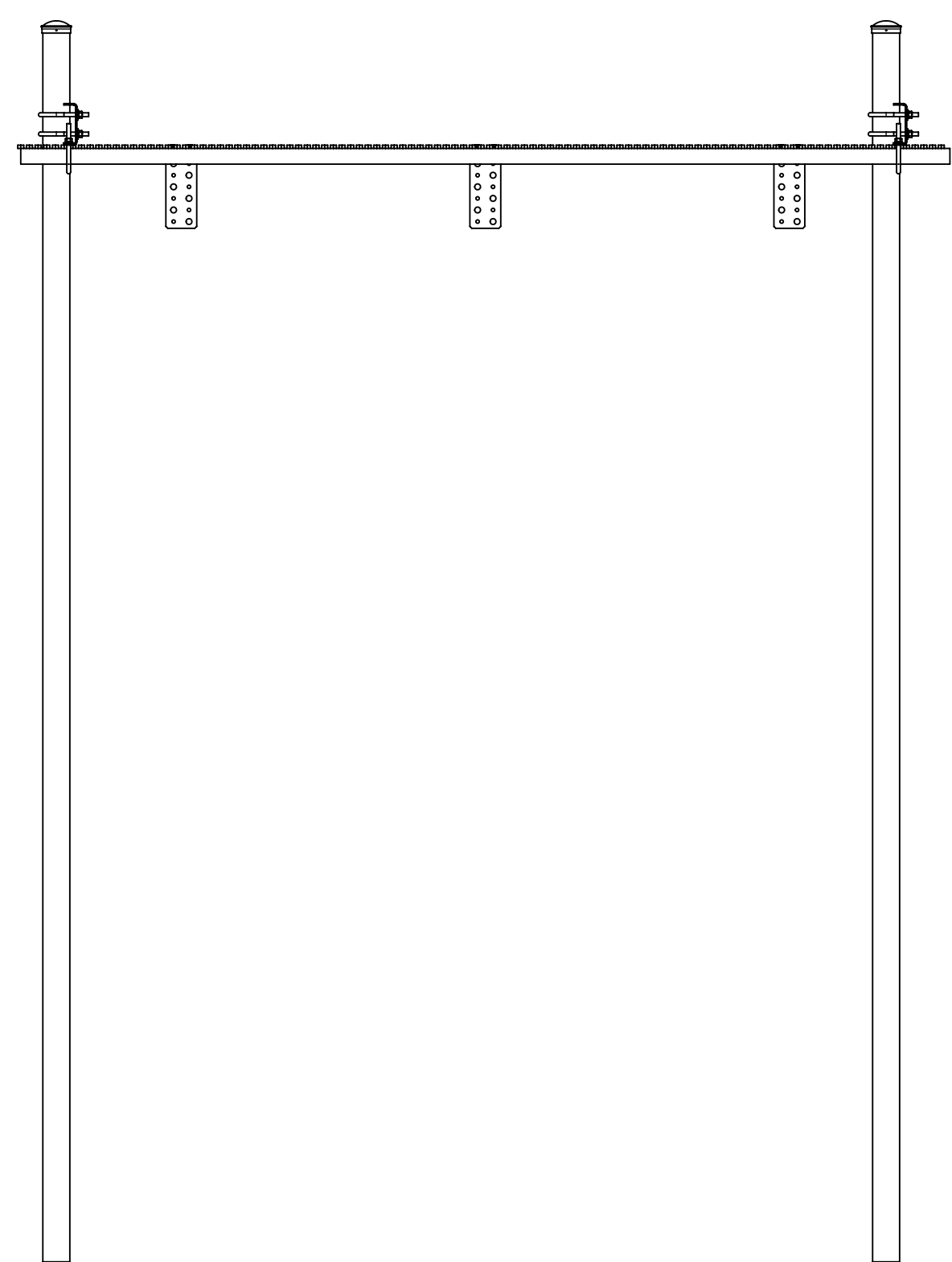
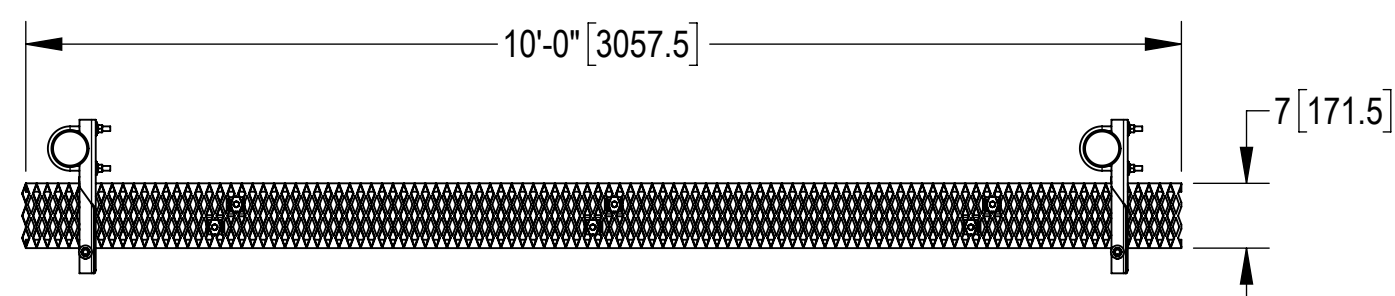
DENSITY		lbs/in ³
MASS	260.07	lbs
VOLUME	921.76	in ³
SURFACE AREA	11801.85	in ²
HEIGHT		
LENGTH		
WIDTH		

4

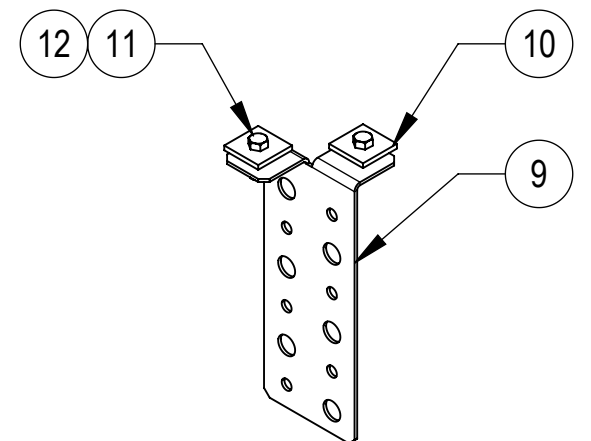
3

2

1



DETAIL A
SCALE 1 : 8



DETAIL B
SCALE 1 : 6

COMPONENT PART NUMBERS PROVIDED FOR ASSEMBLY PURPOSES;
INDIVIDUAL COMPONENTS MAY BE SHIPPED AS PARTS WITHIN AN INCLUDED KIT.

ITEM	PART NO.	DESCRIPTION	QTY.	WEIGHT	NOTE NO.
1	MF-130	DIRECT BURIAL PIPE COLUMN, 13' 4"	2	100.47 LBS	
2	PC-034	PIPE CAP 3-1/2"	2	0.66 LBS	
3	WBLB0601	6" WAVEGUIDE BRIDGE SUPPORT BRACKET	2	4.96 LBS	
4	GUB-4356	1/2" X 3-5/8" X 6" GALV U-BOLT	4	0.81 LBS	
5	WBJB6	1/2" J-BOLT	4	0.49 LBS	
6	GWF-04	1/2" GALV FLAT WASHER	4	0.04 LBS	
7	GWL-04	1/2" GALV LOCK WASHER	4	0.01 LBS	
8	GN-04	1/2" GALV HEX NUT	4	0.04 LBS	
9	ZBV601	SINGLE 6 CABLE BRACKET	3	1.42 LBS	
10	MT-387	SQUARE WASHER, 1-1/2" X 1-1/2" W/ 7/16" HOLE	6	0.11 LBS	
11	GB-03125	3/8" X 1-1/4" GALV BOLT KIT	6	0.06 LBS	
12	GWF-03	3/8" GALV FLAT WASHER	6	0.01 LBS	
13	WB-CY0710	SAFETY GRATING 5" X 10'	1	36.08 LBS	

NO RELEASED

COMMSCOPE, INC. OF NORTH CAROLINA			
TITLE			
CABLE BRIDGE KIT 7" W/BURIAL POSTS			
SIZE	SCALE	DOCUMENT NO.	
C	1:24		
DRAWING			SHEET
VERSION	STATUS	REVISION	2 OF 2