

# WB-K110-B18

---



Safety Grated Waveguide Bridge Kit, 12 in x 10 ft, with two 18 ft direct burial posts

## Product Classification

|                      |  |
|----------------------|--|
| <b>Portfolio</b>     | CommScope®                             |
| <b>Product Type</b>  | Waveguide bridge kit                   |
| <b>Ordering Note</b> | CommScope® standard product with terms |

## General Specifications

|                             |               |
|-----------------------------|---------------|
| <b>Application</b>          | Direct burial |
| <b>Cable Runs, quantity</b> | 12            |
| <b>Pipe, quantity</b>       | 2             |

## Dimensions

|                    |                     |
|--------------------|---------------------|
| <b>Height</b>      | 5,486.4 mm   216 in |
| <b>Width</b>       | 304.8 mm   12 in    |
| <b>Length</b>      | 3048 mm   120 in    |
| <b>Pipe Length</b> | 5,486.4 mm   216 in |

## Material Specifications

|                      |                          |
|----------------------|--------------------------|
| <b>Material Type</b> | Hot dip galvanized steel |
|----------------------|--------------------------|

## Packaging and Weights

|                           |  |
|---------------------------|--|
| <b>Included</b>           | Caps   Channel   Hardware   Posts   Support brackets   Trapeze |
| <b>Packaging quantity</b> | 1  |
| <b>Weight, net</b>        | 155 kg   341.716 lb  |

## Regulatory Compliance/Certifications

| <b>Agency</b> | <b>Classification</b>             |
|---------------|-----------------------------------|
| CHINA-ROHS    | Above maximum concentration value |
| ROHS          | Compliant/Exempted                |

# WB-K110-B18

---

UK-ROHS

Compliant/Exempted



## Included Products

- MF-130 – Direct Burial Pipe Column, 13 ft 4 in
- WB-CY110 – Safety Grated Waveguide Bridge Channel, 12 in x 10 ft
- WB-LB12-3 – Waveguide Bridge Support Bracket, 12 in wide for 3-1/2 in OD legs
- WB-T12-3 – Trapeze Kit, triple tee, 12 in wide, three rungs

# MF-130

---



Direct Burial Pipe Column, 13 ft 4 in

## Product Classification

**Product Type** Pipe column

## General Specifications

**Application** Direct burial

**Mounting** Waveguide bridge support bracket

**Pipe, quantity** 1

## Dimensions

**Height** 4064 mm | 160 in

**Width** 88.9 mm | 3.5 in

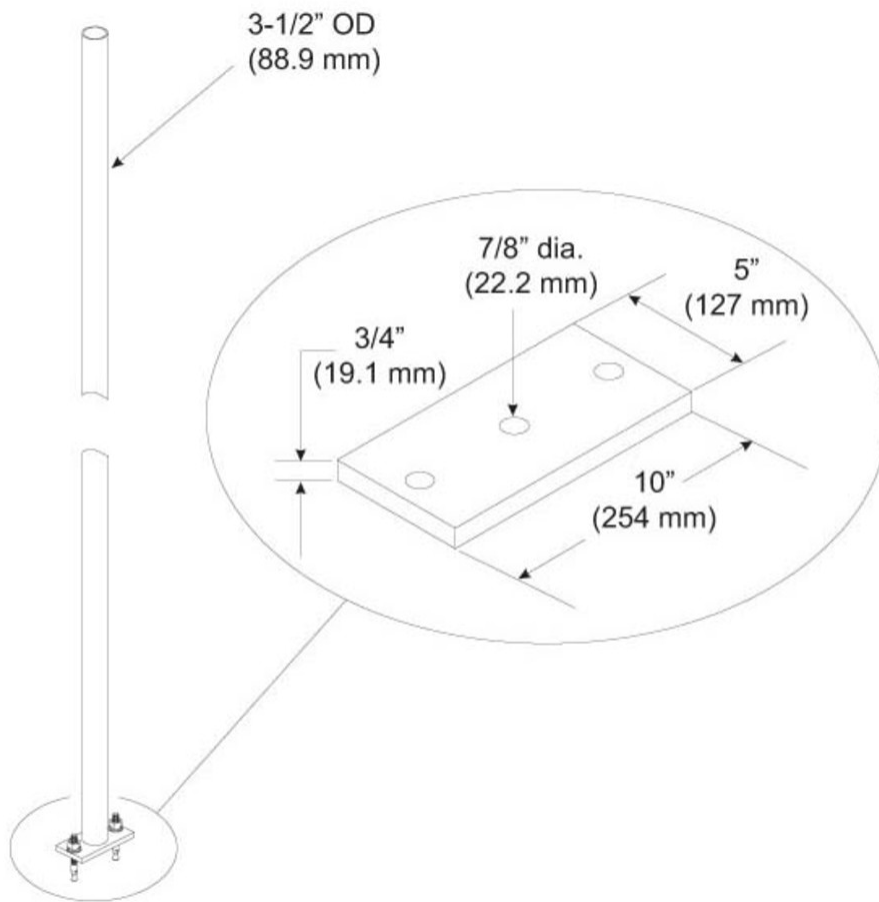
**Length** 88.9 mm | 3.5 in

**Pipe Length** 4,053.84 mm | 159.6 in

**Pipe Outer Diameter** 88.9 mm | 3.5 in

# MF-130

## Outline Drawing



## Material Specifications

**Material Type** Hot dip galvanized steel

## Packaging and Weights

**Included** Anchors | Pipe

**Packaging quantity** 1

**Weight, net** 45.8 kg | 100.972 lb

## Regulatory Compliance/Certifications

**Agency** **Classification**

# MF-130

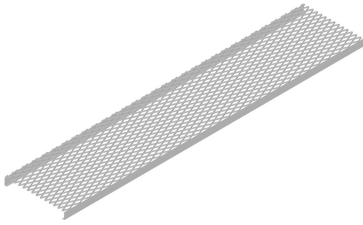
---

|               |  |
|---------------|--|
| CHINA-ROHS    | Above maximum concentration value  |
| ISO 9001:2015 | Designed, manufactured and/or distributed under this quality management system |
| ROHS          | Compliant/Exempted   |
| UK-ROHS       | Compliant/Exempted   |



# WB-CY110

---



Safety Grated Waveguide Bridge Channel, 12 in x 10 ft

## Product Classification

**Product Type** Waveguide bridge channel

## General Specifications

**Application** Waveguide bridge kit, 12 in

## Dimensions

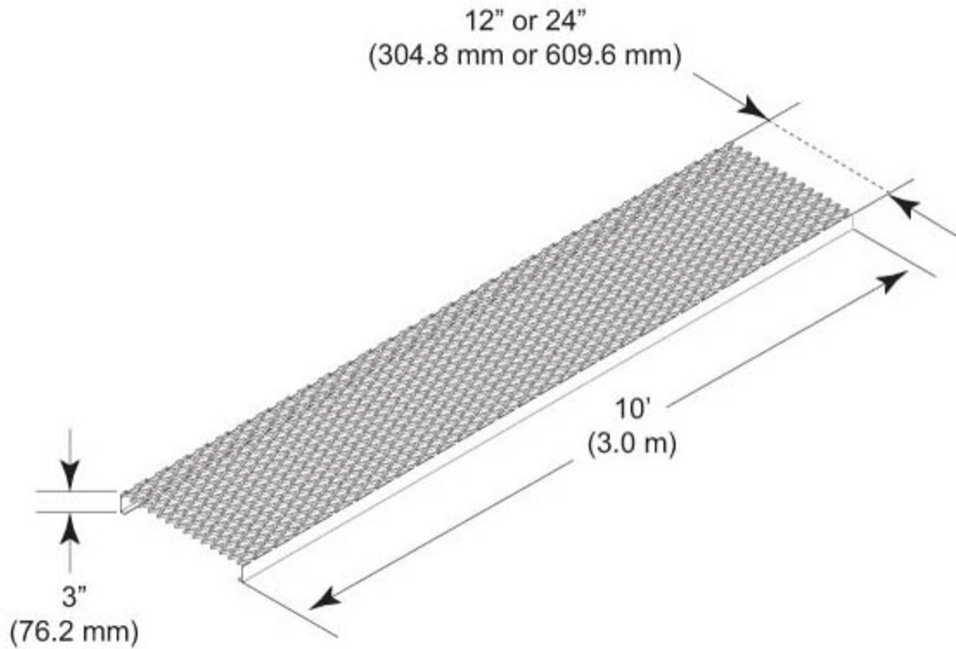
**Height** 76.2 mm | 3 in

**Width** 304.8 mm | 12 in

**Length** 3048 mm | 120 in

# WB-CY110

## Outline Drawing



## Material Specifications

**Material Type** Hot dip galvanized steel

## Packaging and Weights

**Included** Bridge channel

**Packaging quantity** 1

**Weight, net** 31.8 kg | 70.107 lb

## Regulatory Compliance/Certifications

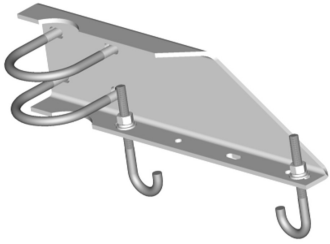
| Agency        | Classification   |
|---------------|--|
| CHINA-ROHS    | Above maximum concentration value  |
| ISO 9001:2015 | Designed, manufactured and/or distributed under this quality management system |
| ROHS          | Compliant/Exempted   |
| UK-ROHS       | Compliant/Exempted   |





# WB-LB12-3

---



Waveguide Bridge Support Bracket, 12 in wide for 3-1/2 in OD legs

## Product Classification

**Product Type** Support bracket

## General Specifications

**Application** Waveguide bridge kit, 12 in

**Cable Runs, quantity** 12

**Mounting** Pipe, 88.9 mm (3-1/2 in) OD

## Dimensions

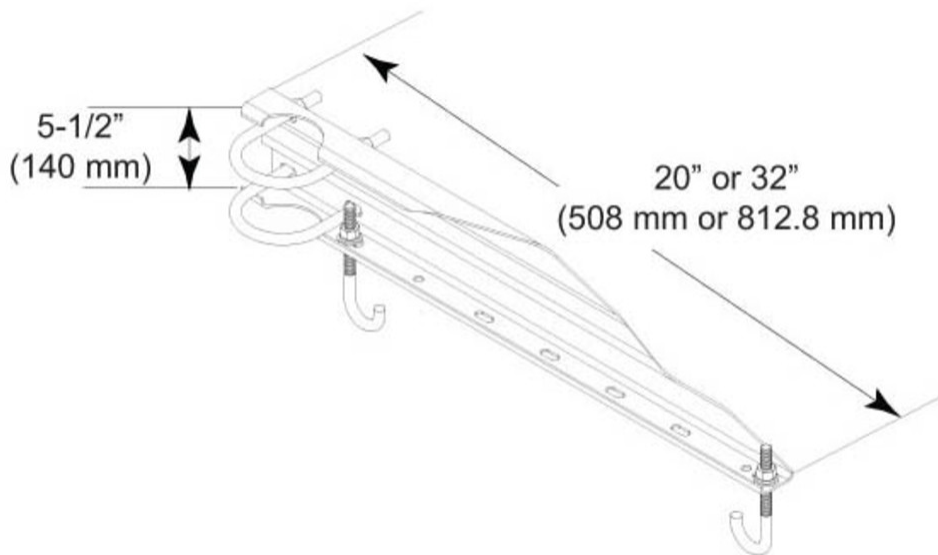
**Height** 50.8 mm | 2 in

**Width** 508 mm | 20 in

**Length** 152.4 mm | 6 in

# WB-LB12-3

## Outline Drawing



## Material Specifications

**Material Type** Hot dip galvanized steel

## Packaging and Weights

**Included** Brackets | Hardware

**Packaging quantity** 1

**Weight, net** 5.4 kg | 11.905 lb

## Regulatory Compliance/Certifications

### Agency

CHINA-ROHS

ISO 9001:2015

REACH-SVHC

ROHS

UK-ROHS

### Classification

Below maximum concentration value

Designed, manufactured and/or distributed under this quality management system

Compliant as per SVHC revision on [www.commscope.com/ProductCompliance](http://www.commscope.com/ProductCompliance)

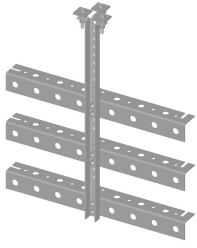
Compliant

Compliant



# WB-T12-3

---



Trapeze Kit, triple tee, 12 in wide, three rungs

## Product Classification

**Product Type** Trapeze kit

## General Specifications

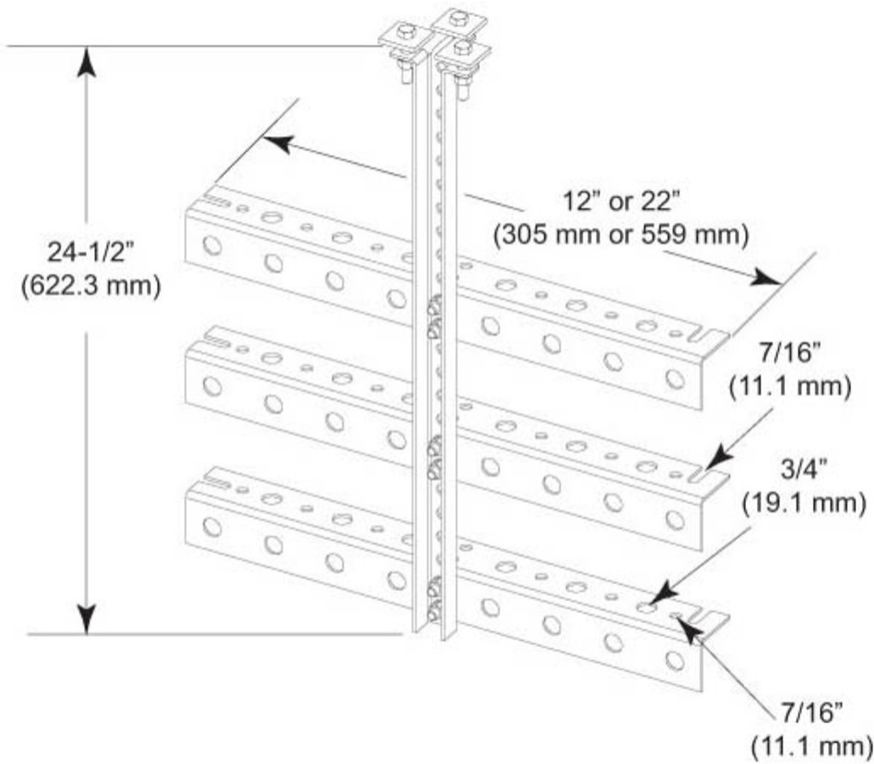
**Application** Waveguide bridge kit, 12 in  
**Cable Runs, quantity** 12  
**Hole, quantity** 12  
**Mounting** Waveguide bridge channel  
**Rungs, quantity** 3

## Dimensions

**Height** 76.2 mm | 3 in  
**Width** 304.8 mm | 12 in  
**Length** 635 mm | 25 in  
**Hole Size** 3/4 in | 7/16 in

# WB-T12-3

## Outline Drawing



## Material Specifications

**Material Type** Hot dip galvanized steel

## Packaging and Weights

**Included** Angle brackets | Mounting hardware

**Packaging quantity** 1

**Weight, net** 4.1 kg | 9.039 lb

## Regulatory Compliance/Certifications

| Agency        | Classification  |
|---------------|---|
| ISO 9001:2015 | Designed, manufactured and/or distributed under this quality management system  |
| REACH-SVHC    | Compliant as per SVHC revision on <a href="https://www.commscope.com/ProductCompliance">www.commscope.com/ProductCompliance</a> |
| ROHS          | Compliant   |
| UK-ROHS       | Compliant   |

