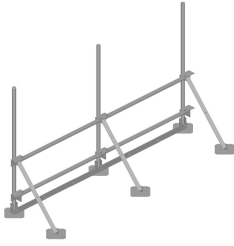


# WT-SMA12-3-96

---



Water Tower Rooftop Sector Frame, 12 ft face, three 2-3/8 in OD x 96 in plain end pipes included

## Product Classification

**Product Type** Water tower mount

## General Specifications

**Mounting** Weld-on feet

**Pipe, quantity** 3

**Sectors, quantity** 1

## Dimensions

**Height** 2,438.4 mm | 96 in

**Face Width** 3.658 m | 12 ft

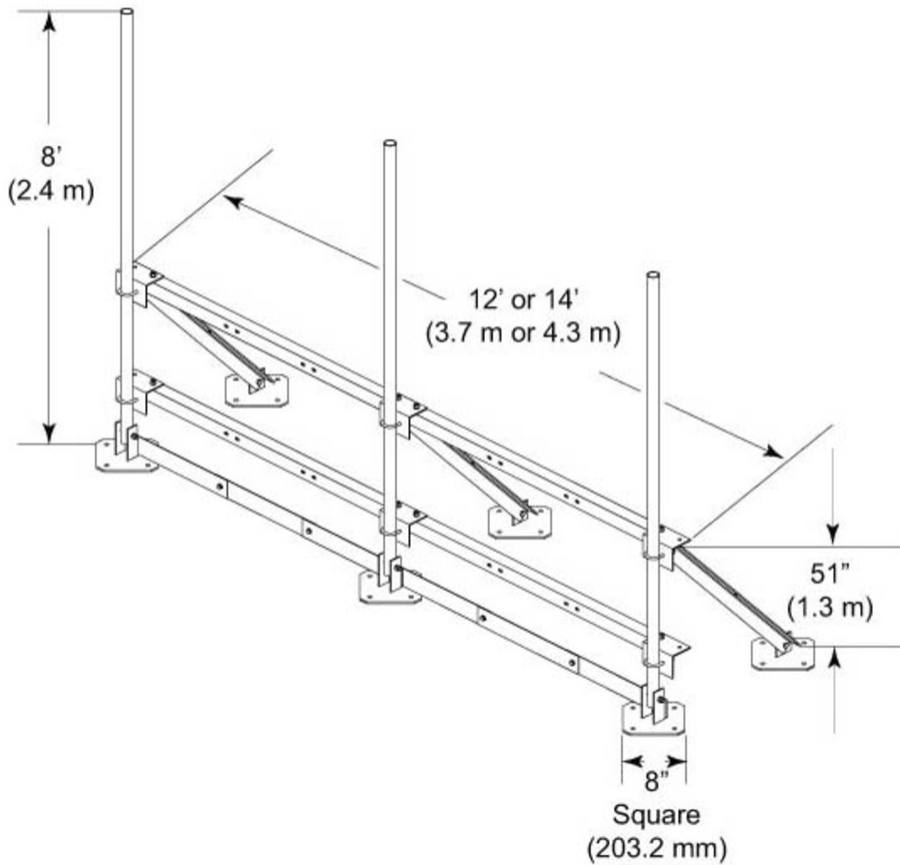
**Width** 3,657.6 mm | 144 in

**Pipe Length** 2,438.4 mm | 96 in

**Pipe Outer Diameter** 60.96 mm | 2.4 in

# WT-SMA12-3-96

## Outline Drawing



## Material Specifications

**Material Type** Hot dip galvanized steel

## Packaging and Weights

**Included** Mount | Plain end pipes (3)

**Packaging quantity** 1

**Weight, net** 212.1 kg | 467.6 lb

## Regulatory Compliance/Certifications

### Agency

CHINA-ROHS

ISO 9001:2015

### Classification

Above maximum concentration value

Designed, manufactured and/or distributed under this quality management system

# WT-SMA12-3-96

---

ROHS	Compliant/Exempted
UK-ROHS	Compliant/Exempted

