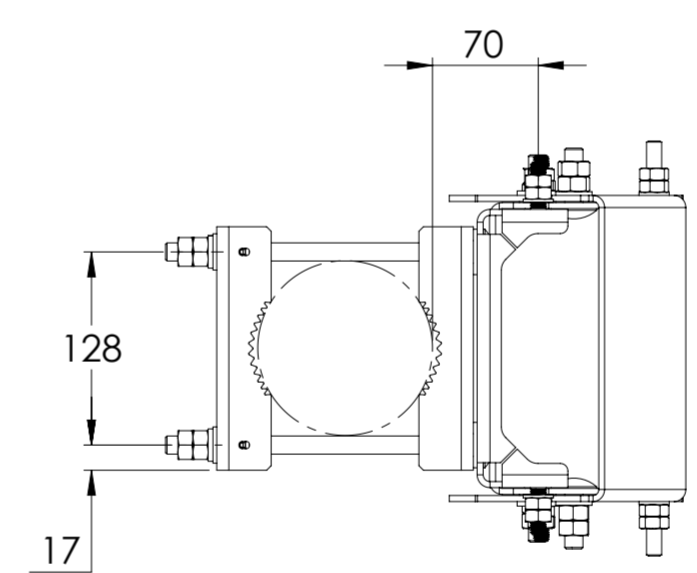
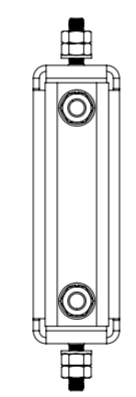
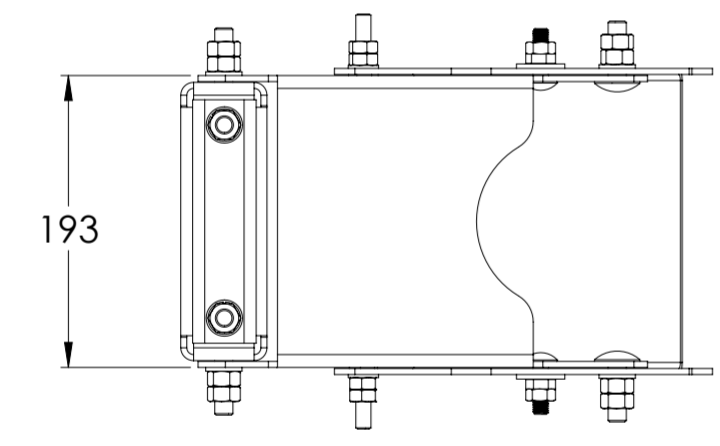
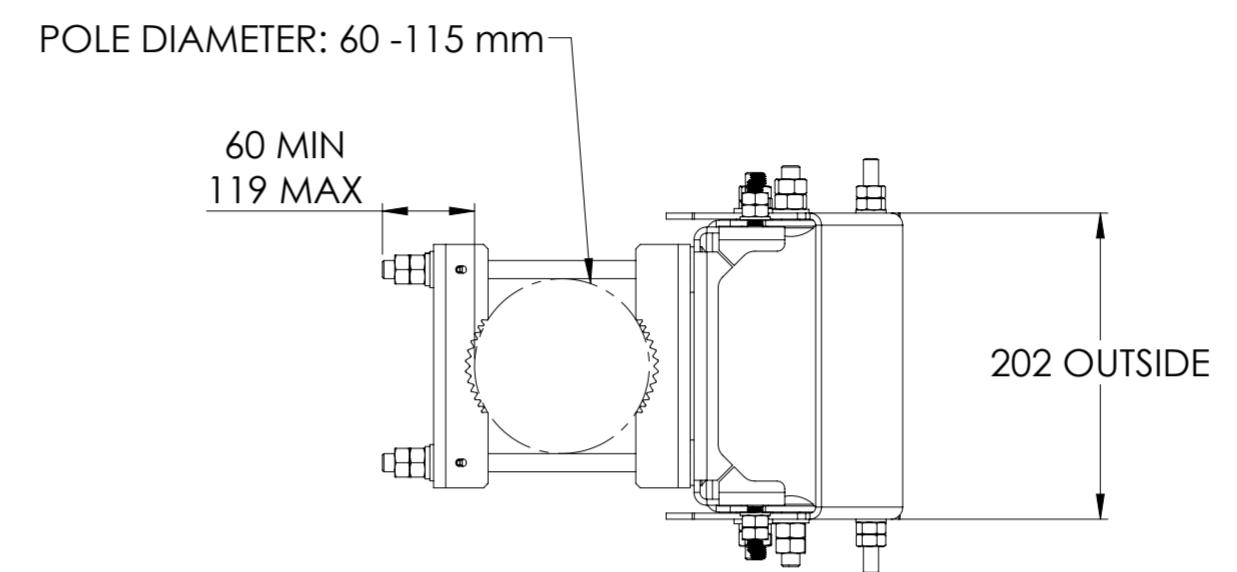
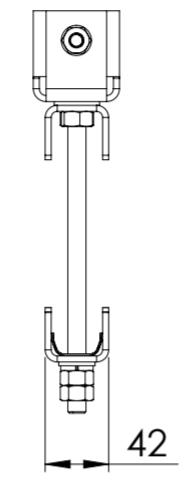
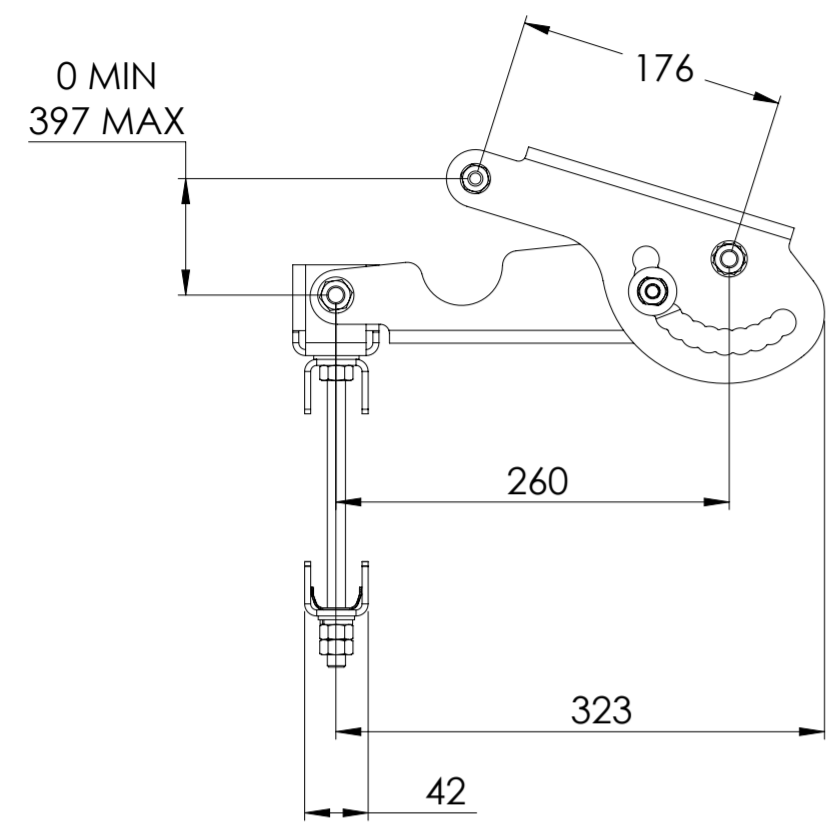


REVISIONS			
REV.	DESCRIPTION	DATE	APPROVED
A	ECR 40153369CMO: REL TO PRODUCTION PER EAO 611220.	06AUG22 CZH	GZB/XKK
B	ECR 40161598CMO: UPDATE DRAWING WITH LATEST MODEL.	08DEC22 SL	ZYL/ HHCHEN



BSAMNT-9

**COMMSCOPE, INC. OF NORTH CAROLINA**

TOLERANCES		SAP MATERIAL MASTER	
0 PLACE X ±	2 PLACE .XX ±		
1 PLACE .X ±	ANGLES ±		
FINISH		MATERIAL	

UNLESS OTHERWISE SPECIFIED DIMENSIONS ARE IN MILLIMETERS INTERPRET PER ISO STANDARDS HANDBOOK TECHNICAL DRAWINGS VOLUMES 1 & 2, THIRD EDITION (2002)	NAME	DATE	PRODUCT DRAWING
	CE ZHHCHEN	08/06/2022	
	RW LS1124	12/13/2022	
	AD ZL8001	12/13/2022	
	RE NC1020	12/14/2022	
ECN 40161598CMO			SCALE: <b>1:2</b>
			DOCUMENT NO. <b>BSAMNT-9-L</b>

DENSITY	g/mm <sup>3</sup>		
MASS	grams		
VOLUME	mm <sup>3</sup>		
SURFACE AREA	mm <sup>2</sup>		
HEIGHT		SIZE	Auth Group BSA
LENGTH		MODEL	VERSION STATUS REVISION
WIDTH		<b>A2</b>	01 RE B
		DRAWING	
		VERSION STATUS REVISION	01 RE B
		SHEET	
		1 OF 1	