

4

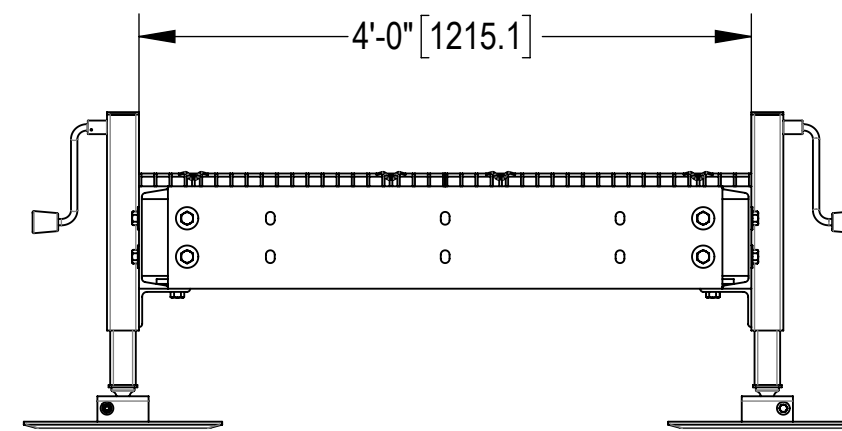
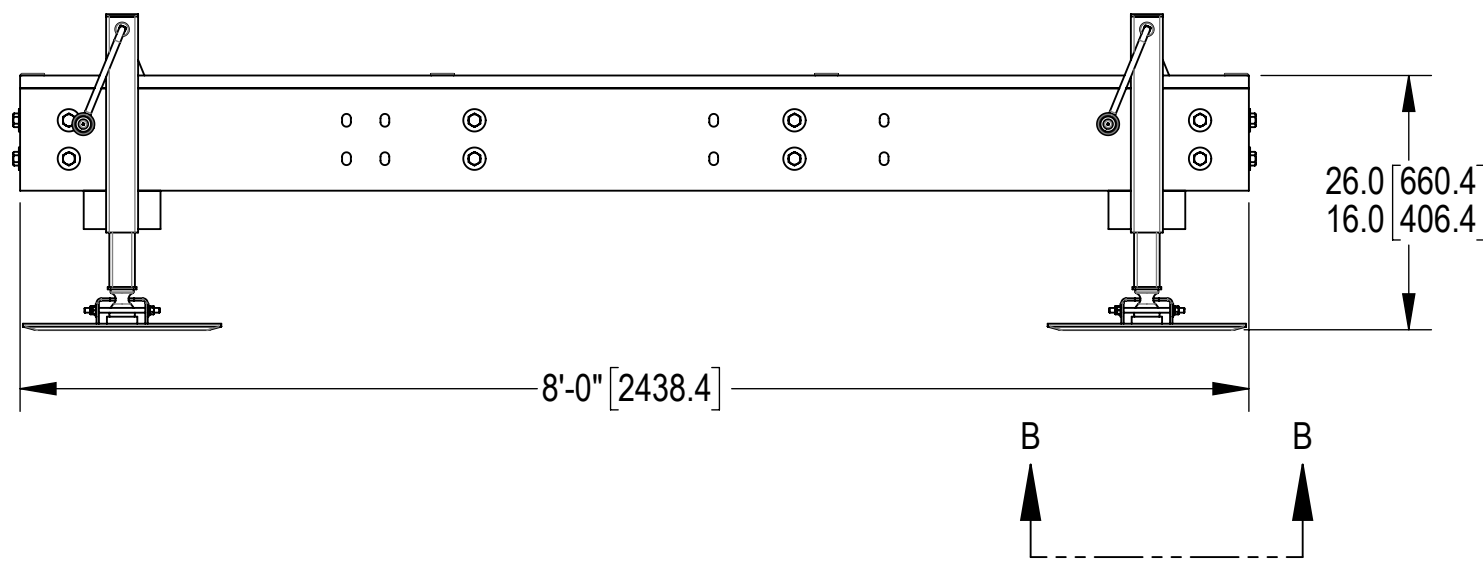
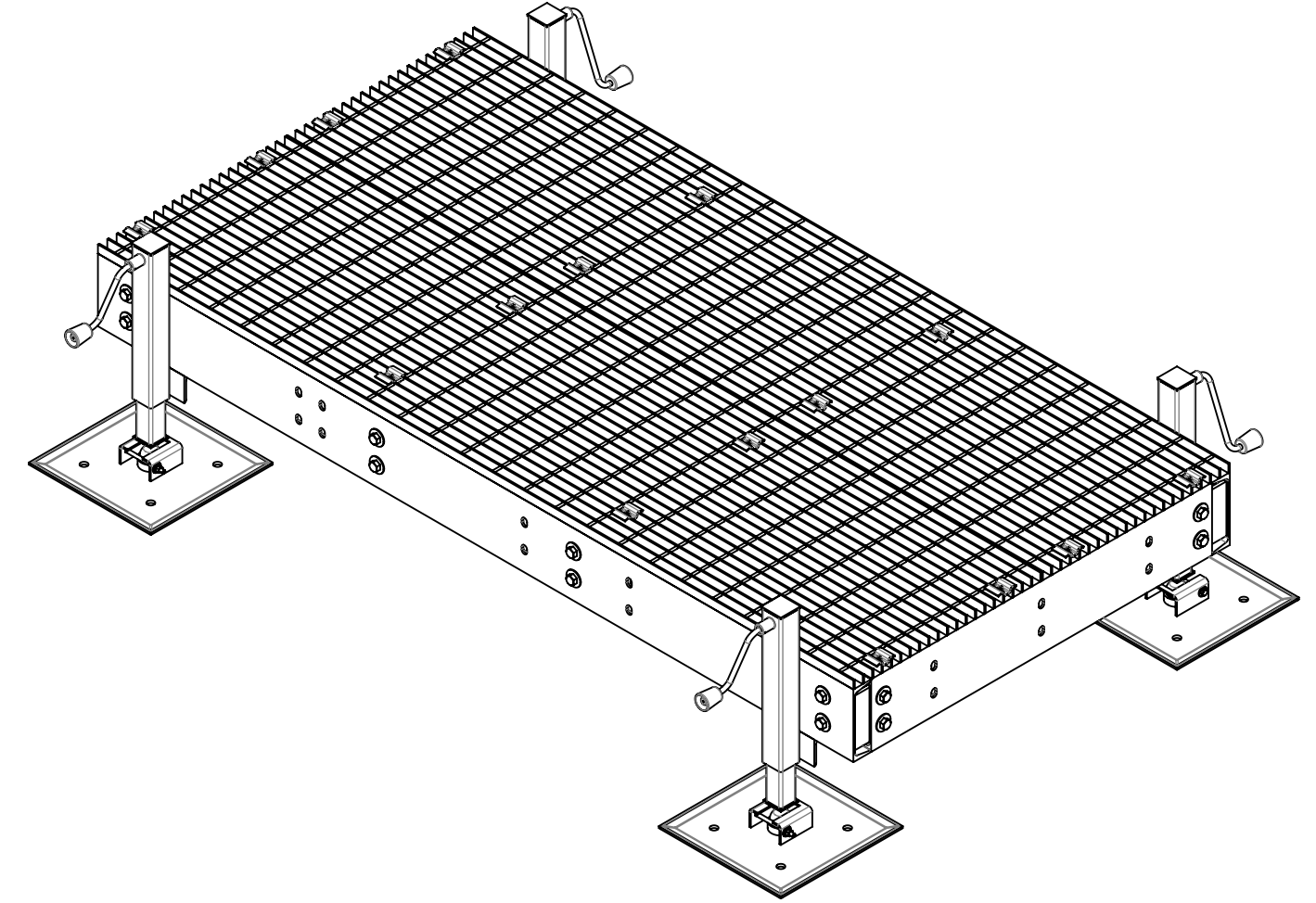
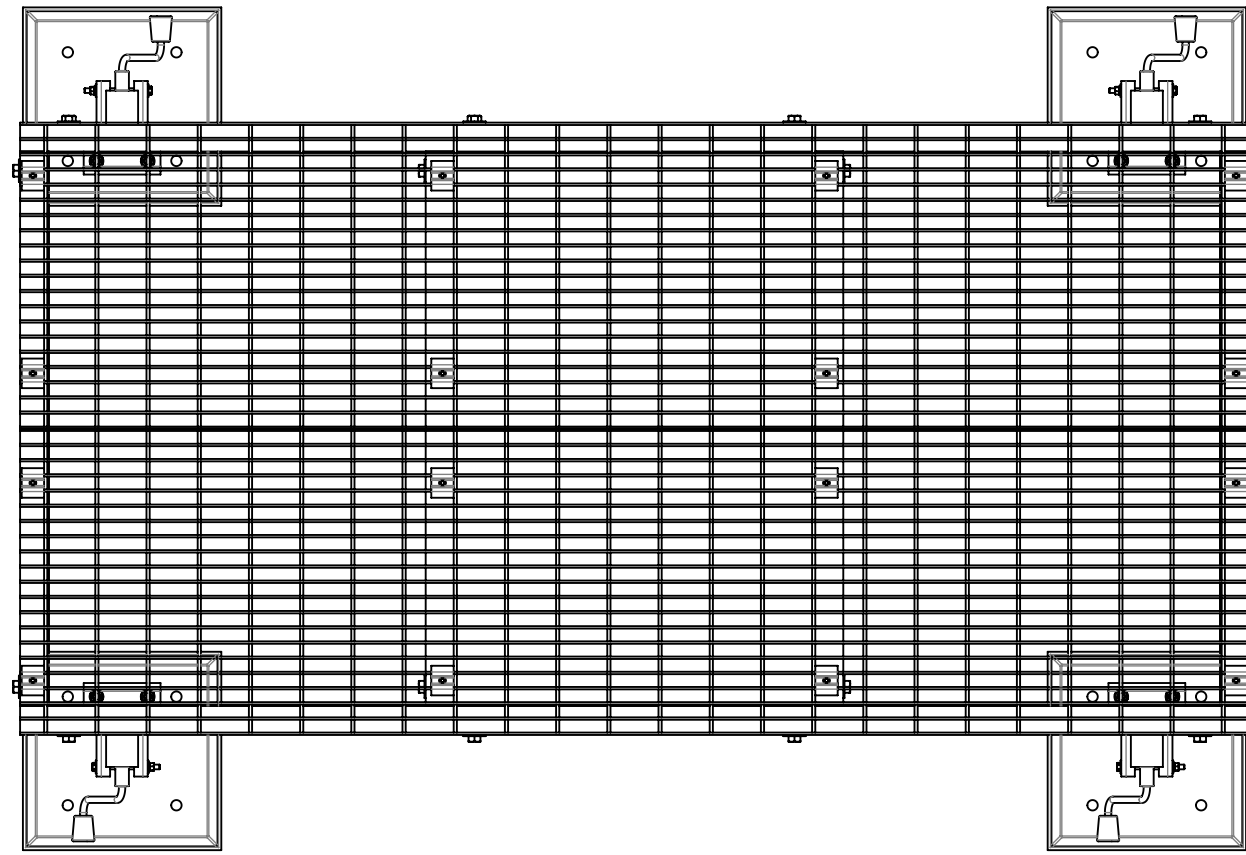
3

2

1

- 1.0 GENERAL NOTES
 - 1.1 ALL METRIC DIMENSIONS ARE IN BRACKETS [X.X]
 - 1.2 FOR PATENT INFO: <https://www.cs-pat.com>
- 2.0 DESIGN NOTES
- 3.0 MANUFACTURING/SPECIAL REQUIREMENTS
 - 3.1 TIGHTEN ALL BOLTS SECURING FLAT PLATES BY THE TURN-OF-NUT METHOD. TIGHTEN ALL U-BOLTS USING TURN-OF-NUT METHOD WITH ATTENTION TO LEAVE EQUAL DISTANCE AND EQUAL FORCE ON EACH LEG OF THE U-BOLT.
- 4.0 TEST
- 5.0 PACKAGING
 - 5.1 PACKAGING SHALL MEET COMMSCOPE REQUIREMENTS PER DOCUMENT IS-PL-3005
 - 5.2 PRINTED DOCUMENT TO BE PLACED INSIDE POLYBAG AND THEN IN SHIPPING CONTAINER
 - 5.3 EXTRA HARDWARE MAY BE SUPPLIED, BAGGED AND SHIPPED

REVISIONS			
REV.	DESCRIPTION	DATE	APPROVED
A	INITIAL RELEASE	MSM 05AUG10	
B	REDRAWN IN SOLIDWORKS; MTC390324 AND TS1220 WAS GCM03	YMENG 06FEB24	BCROSS 40188554CMO



COMMSCOPE, INC. OF NORTH CAROLINA

TOLERANCES		SAP MATERIAL MASTER
1 PLACE .X[X] ± 0.12[3.0]	3 PLACE .XXX[X] ± 0.030[0.8]	EQ-P0408-AL
2 PLACE .XX[X] ± 0.06[1.5]	ANGLES ± 2°	

FINISH		MATERIAL	
UNLESS OTHERWISE SPECIFIED DIMENSIONS ARE IN INCHES INTERPRET PER ANSI Y 14.5M-1994	NAME	DATE	TITLE
	CE MSM	05AUG10	EQUIPMENT PLATFORM KIT, 4' X 8', 4 LEGS
	RW YMENG	02/07/2024	
	AD LL1090	02/08/2024	
	RE YMENG	02/08/2024	
ECN 40188554CMO			
SCALE	DOCUMENT NO.	EQ-P0408-AL	
1:16			
SIZE	Auth Group	INSL	MODEL
C			
VERSION	STATUS	REVISION	DRAWING
00	RE	B	VERSION STATUS REVISION
			00 RE B
SHEET			1 OF 2

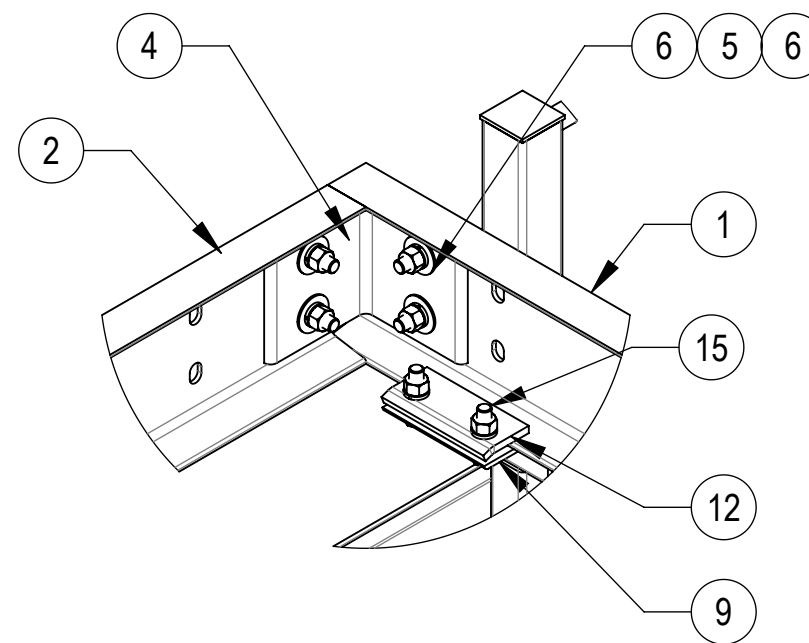
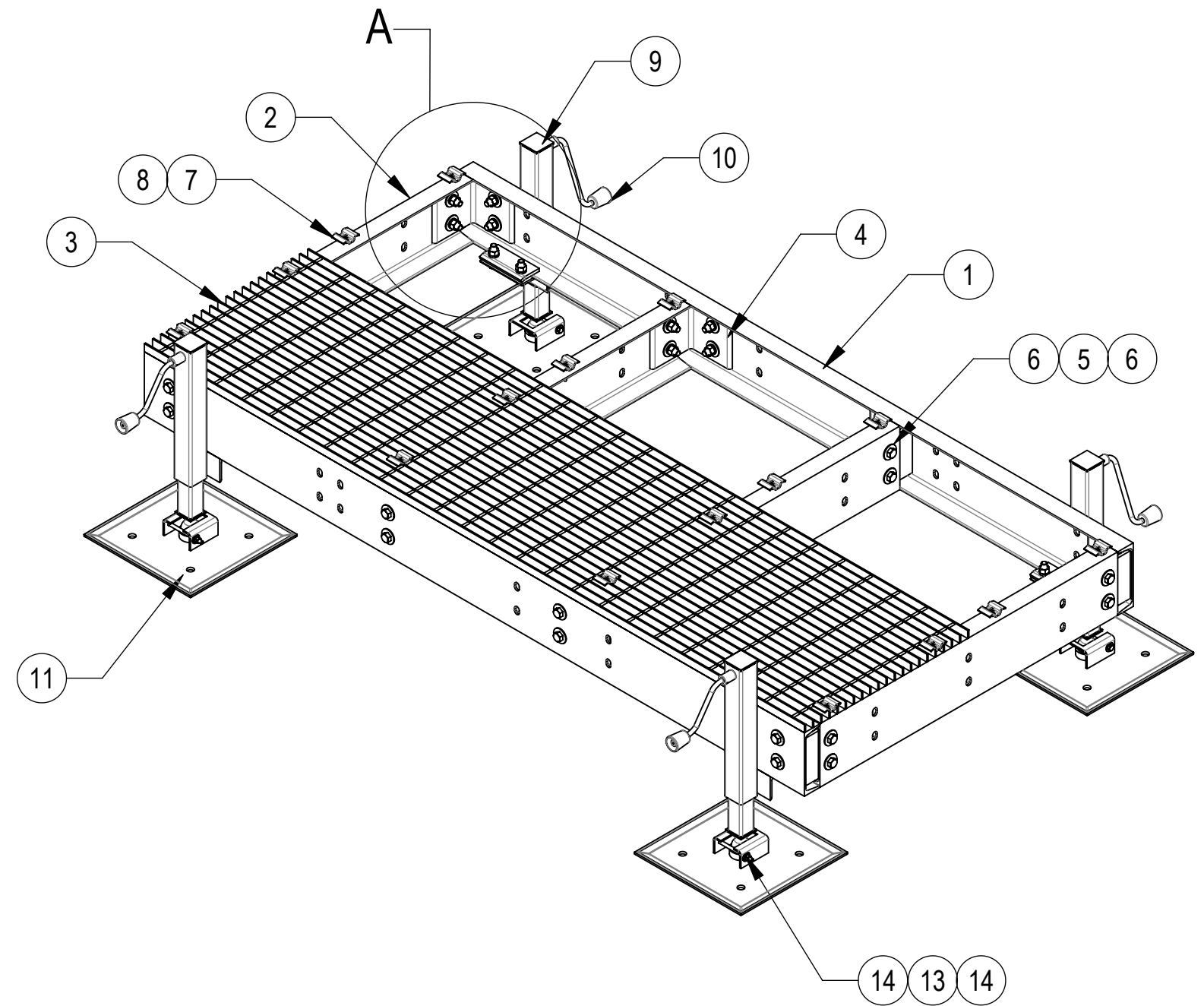
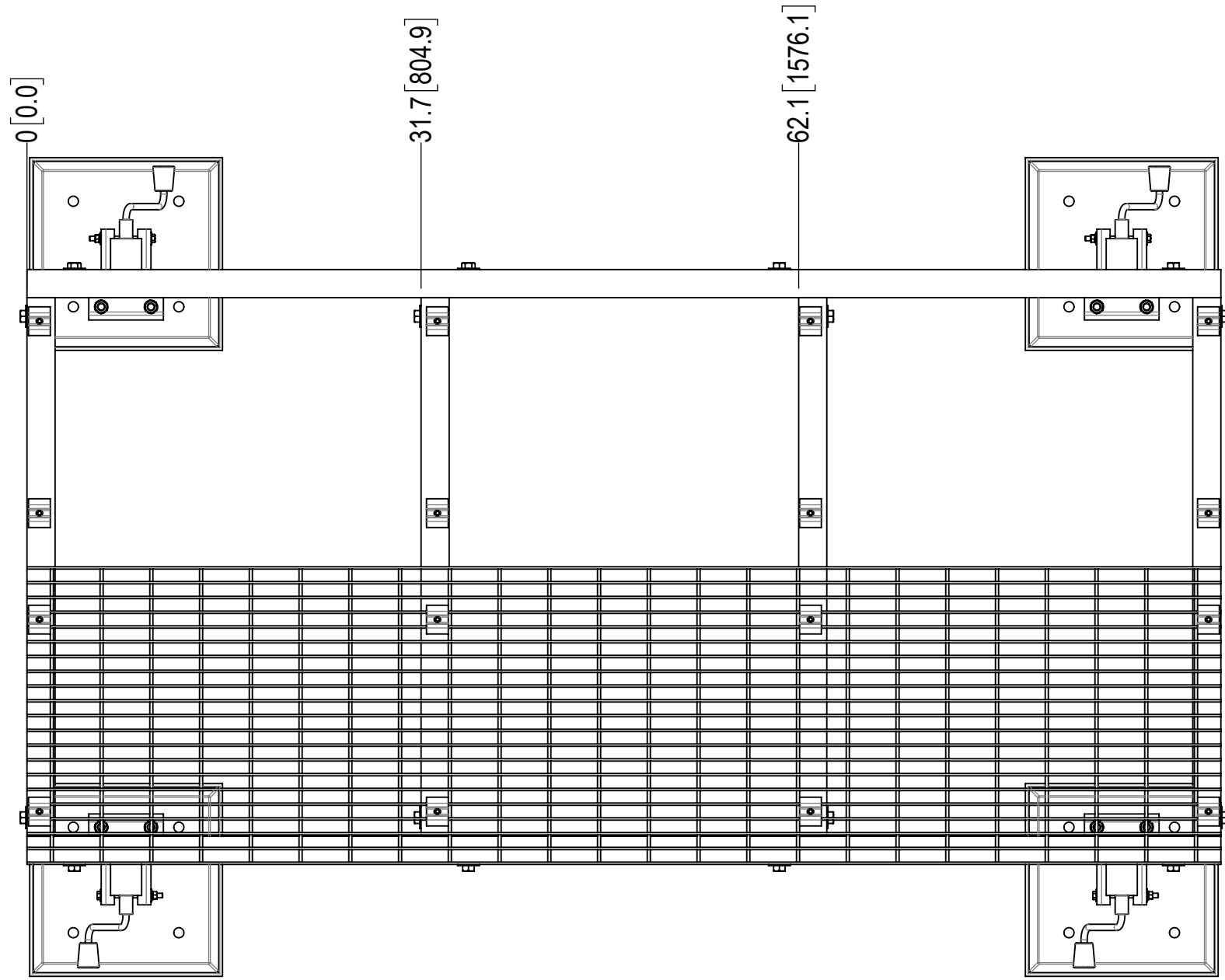
DENSITY	872.03	lbs/in ³
MASS	872.03	lbs
VOLUME	2930.43	in ³
SURFACE AREA	26712.20	in ²
HEIGHT	26.0	in
LENGTH	96"	
WIDTH	48"	

4

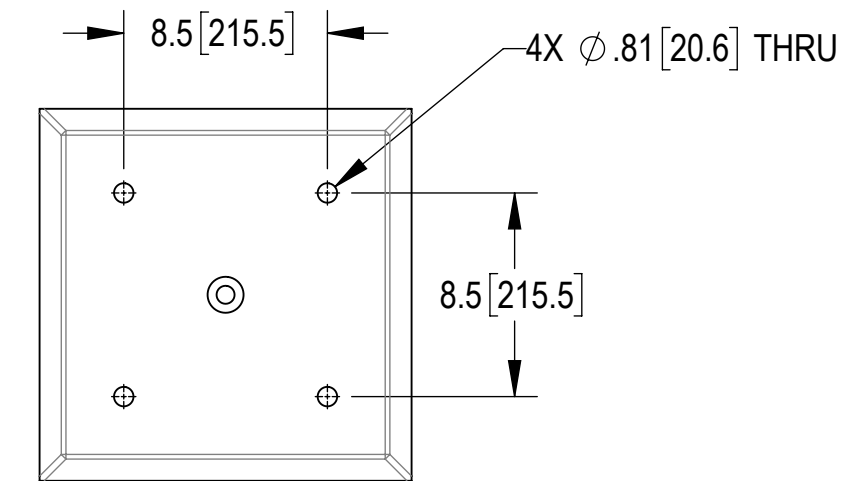
3

2

1



DETAIL A
SCALE 1 : 8



VIEW B-B
SCALE 1 : 8

HIDE BAR GRATING FOR CLARITY

COMPONENT PART NUMBERS PROVIDED FOR ASSEMBLY PURPOSES;
INDIVIDUAL COMPONENTS MAY BE SHIPPED AS PARTS WITHIN AN INCLUDED KIT

ITEM	PART NO.	DESCRIPTION	QTY.	WEIGHT	NOTE NO.
1	MTC7902080805	8' SIDE CHANNEL C8 X 11.5#	2	90.60 LBS	
2	MTC7902040702	4' CENTER CHANNEL	4	40.85 LBS	
3	MTC7902080803	24" X 96" BAR GRATING	2	114.17 LBS	
4	MTC790203	CHANNEL ADAPTER ANGLE	8	7.07 LBS	
5	GB-05205	5/8" X 2" GALV BOLT KIT	32	0.26 LBS	
6	GWf-05	5/8" GALV FLAT WASHER, 1.7OD	64	0.06 LBS	
7	MTC390324	BAR GRATING CLIP	16	0.17 LBS	
8	TS1220	12-24 X 2" SELF DRILLING SCREW	16	0.03 LBS	
9	MTC7902AL.05	ADJUSTABLE LEG SUB ASSEMBLY	4	17.16 LBS	
10	EQPALC	CRANK	4	1.33 LBS	
11	MTC7902AL.04	PIVOTING FOOT FOR ADJUSTABLE LEG	4	21.30 LBS	
12	MTC7902AL07	PINCH PLATE	4	1.60 LBS	
13	GB-03505	3/8" X 5" GALV BOLT KIT	4	0.17 LBS	
14	GWf-03	3/8" GALV FLAT WASHER	8	0.01 LBS	
15	GB-0522A	5/8" X 2-1/4" GALV BOLT KIT (A325)	8	0.28 LBS	

COMMSCOPE, INC. OF NORTH CAROLINA				
TITLE EQUIPMENT PLATFORM KIT, 4' X 8', 4 LEGS				
SIZE C	SCALE 1:16	DOCUMENT NO. EQ-P0408-AL		
		DRAWING		SHEET 2 OF 2
		VERSION 00	STATUS RE	