

4

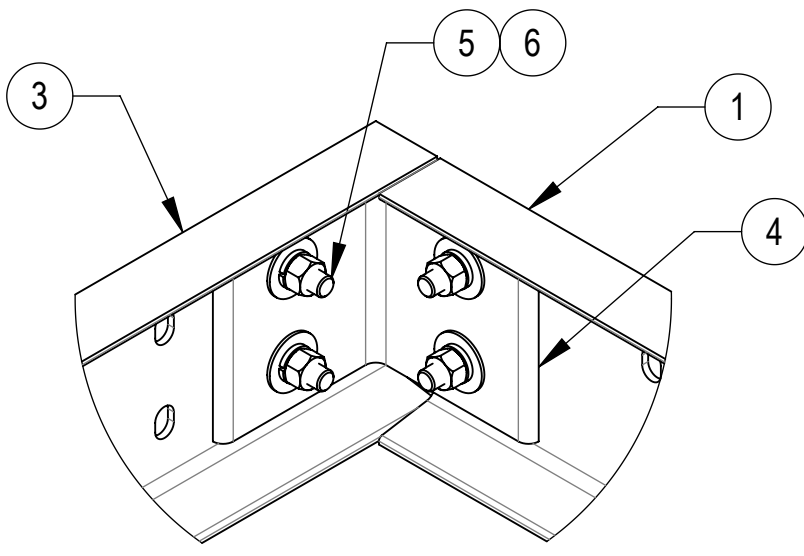
3

2

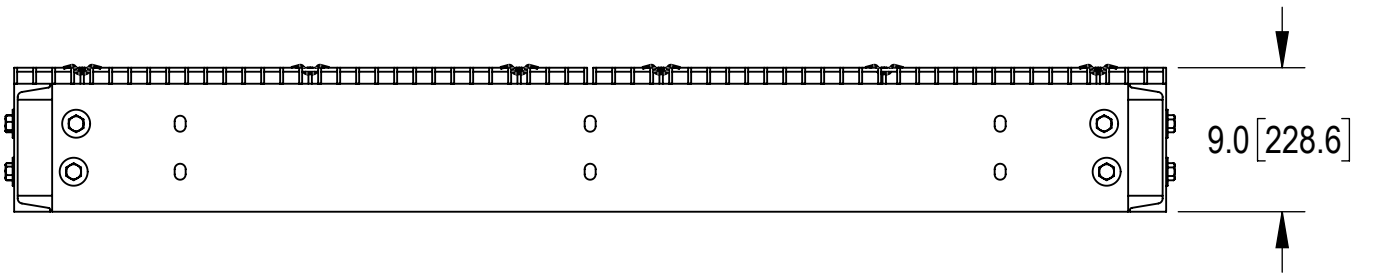
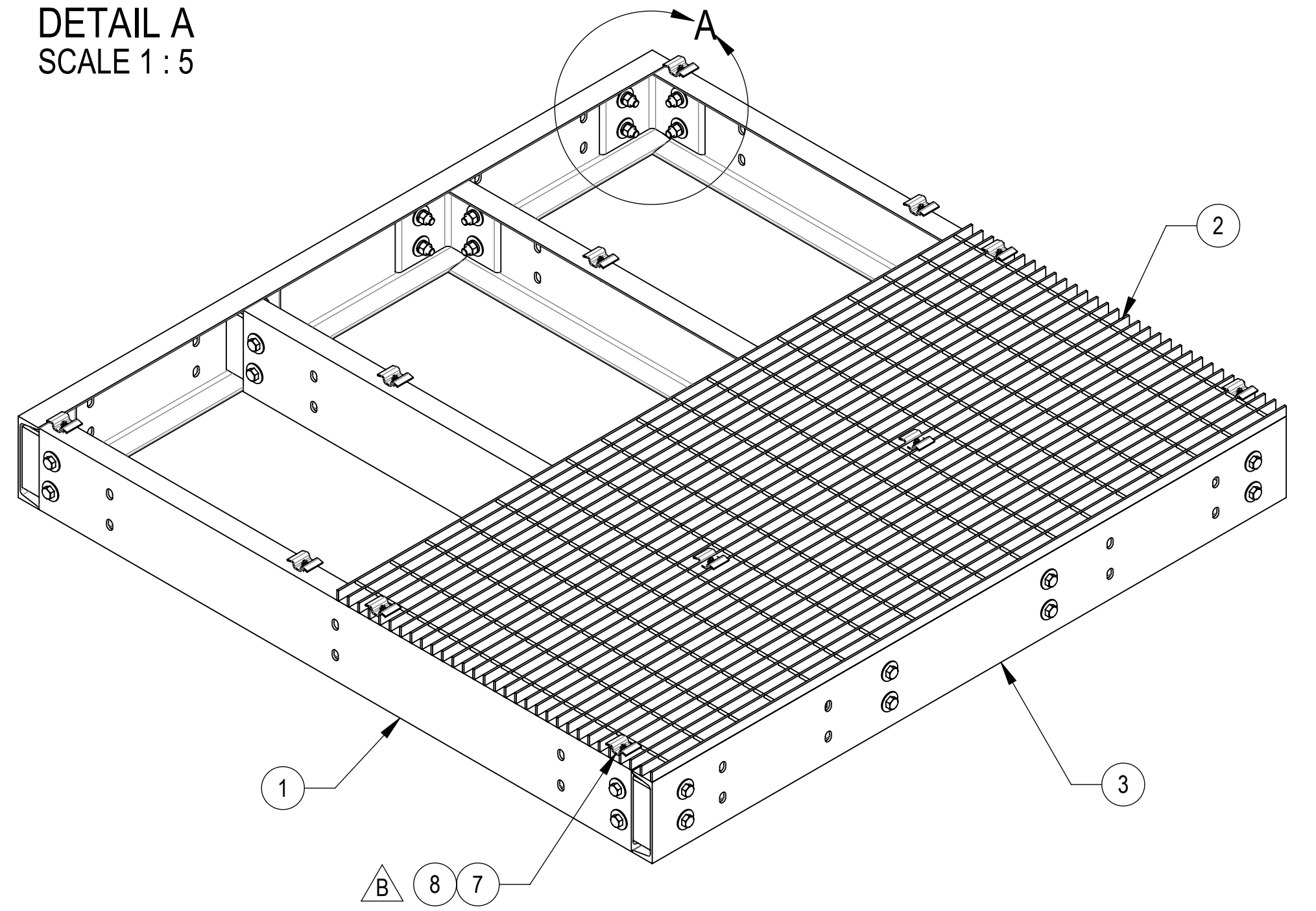
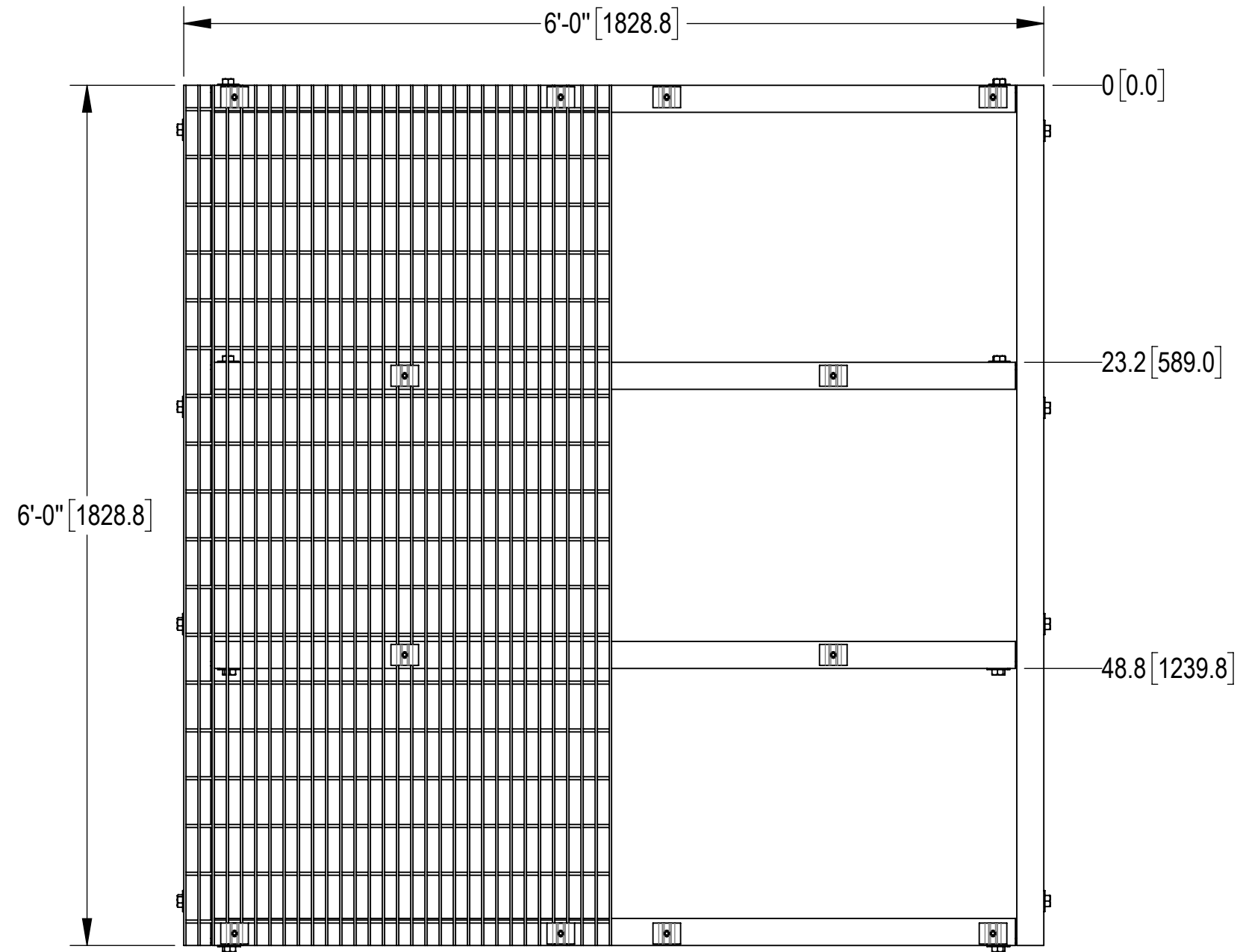
1

- 1.0 GENERAL NOTES
 - 1.1 ALL METRIC DIMENSIONS ARE IN BRACKETS [X.X]
 - 1.2 FOR PATENT INFO: <https://www.cs-pat.com>
- 2.0 DESIGN NOTES
- 3.0 MANUFACTURING/SPECIAL REQUIREMENTS
 - 3.1 TIGHTEN ALL BOLTS SECURING FLAT PLATES BY THE TURN-OF-NUT METHOD. TIGHTEN ALL U-BOLTS USING TURN-OF-NUT METHOD WITH ATTENTION TO LEAVE EQUAL DISTANCE AND EQUAL FORCE ON EACH LEG OF THE U-BOLT.
 - 3.2 BAR GRATING ALIGNED ACROSS CENTER CHANNELS.
- 4.0 TEST
- 5.0 PACKAGING
 - 5.1 PACKAGING SHALL MEET COMMSCOPE REQUIREMENTS PER DOCUMENT IS-PL-3005
 - 5.2 PRINTED DOCUMENT TO BE PLACED INSIDE POLYBAG AND THEN IN SHIPPING CONTAINER
 - 5.3 EXTRA HARDWARE MAY BE SUPPLIED, BAGGED AND SHIPPED

REVISIONS			
REV.	DESCRIPTION	DATE	APPROVED
A	INITIAL RELEASE	MSB 05/16/11	
B	UPDATED DRAWING TO NEW FORMAT; MTC390324 & TS1220 WAS GCM03	RY1002 05MAR24	BCROSS 40190410CMO



DETAIL A
SCALE 1:5



HIDE BAR GRATING FOR CLARITY

COMMSCOPE, INC. OF NORTH CAROLINA

TOLERANCES		SAP MATERIAL MASTER	
1 PLACE .X[X] ± 0.12[3.0]	3 PLACE .XXX[X] ± 0.030[0.8]	EQ-P0606-B	
2 PLACE .XX[X] ± 0.06[1.5]	ANGLES ± 2°		
FINISH		MATERIAL	
UNLESS OTHERWISE SPECIFIED DIMENSIONS ARE IN INCHES INTERPRET PER ANSI Y 14.5M-1994		NAME DATE TITLE	
CE	ACG	05/27/05	6' X 6' EQUIPMENT PLATFORM BASE
RW	RY1002	03/10/2024	
AD	YMENG	03/10/2024	
RE	YMENG	03/20/2024	
ECN 40190410CMO		SCALE	DOCUMENT NO.
		1:12	EQ-P0606-B
SIZE	Auth Group	INSL	MODEL
C			
DRAWING		SHEET	
VERSION	STATUS	REVISION	VERSION
00	RE	A	00
STATUS		REVISION	
RE		B	
			1 OF 1

COMPONENT PART NUMBERS PROVIDED FOR ASSEMBLY PURPOSES;
INDIVIDUAL COMPONENTS MAY BE SHIPPED AS PARTS WITHIN AN INCLUDED KIT.

ITEM	PART NO.	DESCRIPTION	QTY.	WEIGHT	NOTE NO.
1	MTC8822061001	CENTER CHANNEL	4	63.61 LBS	
2	MTC7902060602	36" X 72" BAR GRATING	2	126.53 LBS	
3	MTC7902060603	6' SIDE CHANNEL	2	67.91 LBS	
4	MTC790203	CHANNEL ADAPTER ANGLE	8	7.07 LBS	
5	GB-05205	5/8" X 2" GALV BOLT KIT	32	0.26 LBS	
6	GWf-05	5/8" GALV FLAT WASHER, 1.7OD	64	0.06 LBS	
7	MTC390324	BAR GRATING CLIP	12	0.17 LBS	
8	TS1220	12-24 X 2" SELF DRILLING SCREW	12	0.03 LBS	

© 2024 CommScope, Inc. Confidential

4

3

2

1