

4

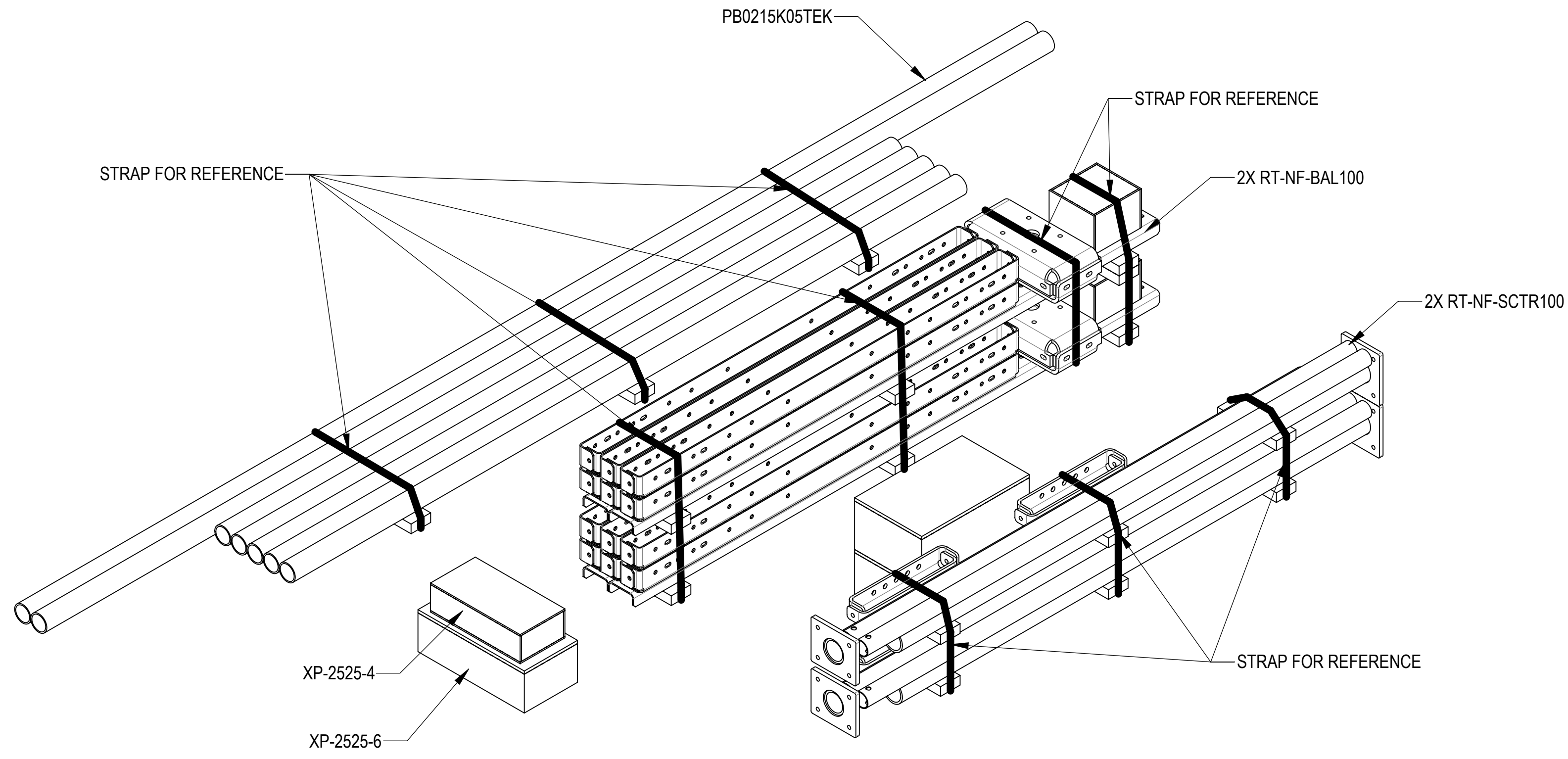
3

2

1

- 1.0 GENERAL NOTES
  - 1.1 ALL METRIC DIMENSIONS ARE IN BRACKETS [X.X]
  - 1.2 FOR PATENT INFO: <https://www.cs-pat.com>
- 2.0 DESIGN NOTES
- 3.0 MANUFACTURING/SPECIAL REQUIREMENTS
  - 3.1 TIGHTEN ALL BOLTS SECURING FLAT PLATES BY THE TURN-OF-NUT METHOD. TIGHTEN ALL U-BOLTS USING TURN-OF-NUT METHOD WITH ATTENTION TO LEAVE EQUAL DISTANCE AND EQUAL FORCE ON EACH LEG OF THE U-BOLT.
- 4.0 TEST
- 5.0 PACKAGING
  - 5.1 PACKAGING SHALL MEET COMMSCOPE REQUIREMENTS PER DOCUMENT IS-PL-3005
  - 5.2 PRINTED DOCUMENT TO BE PLACED INSIDE POLYBAG AND THEN IN SHIPPING CONTAINER
  - 5.3 EXTRA HARDWARE MAY BE SUPPLIED, BAGGED AND SHIPPED

REVISIONS			
REV.	DESCRIPTION	DATE	APPROVED
A	INITIAL RELEASE	YMENG 11MAY24	XK1001 40195238CMO



### PACKAGE VIEW

## COMMSCOPE, INC. OF NORTH CAROLINA

TOLERANCES		SAP MATERIAL MASTER	
1 PLACE .X[X] ± 0.2[6.3]	3 PLACE .XXX[X] ± 0.060[1.5]	RT-DF15-5-120	
2 PLACE .XX[X] ± 0.12[3.0]	ANGLES ± 2°		
FINISH		MATERIAL	
UNLESS OTHERWISE SPECIFIED DIMENSIONS ARE IN INCHES INTERPRET PER ANSI Y 14.5M-1994	NAME	DATE	TITLE
	CE YMENG	11MAY24	PIM-GUARD MT15'BALLAST(5)2.875"x120"PIPE
	RW YMENG	05/20/2024	
	AD XK1001	05/20/2024	
	RE YMENG	05/20/2024	
ECN 40195238CMO			
SCALE	DOCUMENT NO.		
1:24	RT-DF15-5-120		
SIZE	Auth Group	INSL	MODEL
C			VERSION STATUS REVISION
			VERSION STATUS REVISION
			00 RE A 00 RE A
			SHEET 1 OF 3

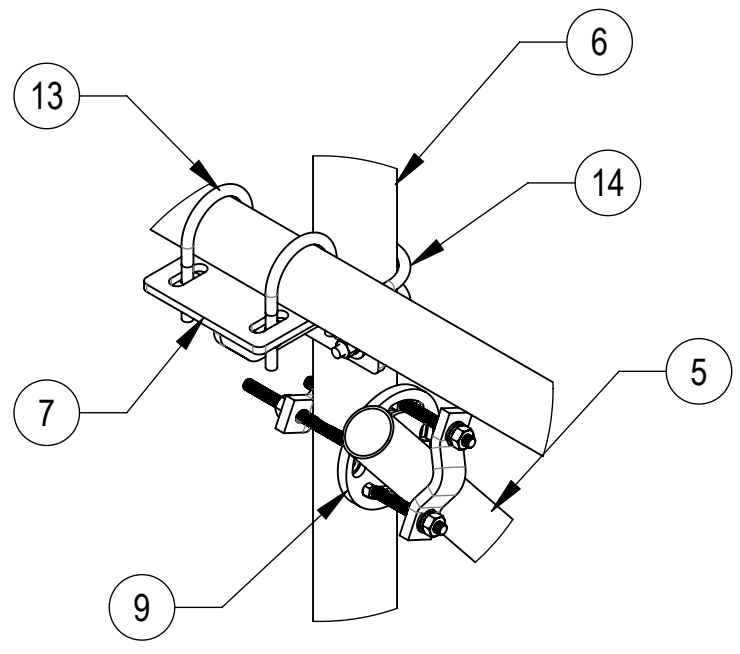
DENSITY	2018.97	lbs/in <sup>3</sup>
MASS	2018.97	lbs
VOLUME	9741.43	in <sup>3</sup>
SURFACE AREA	76165.20	in <sup>2</sup>
HEIGHT	144.5"	
LENGTH	180.0"	
WIDTH	94.1"	

4

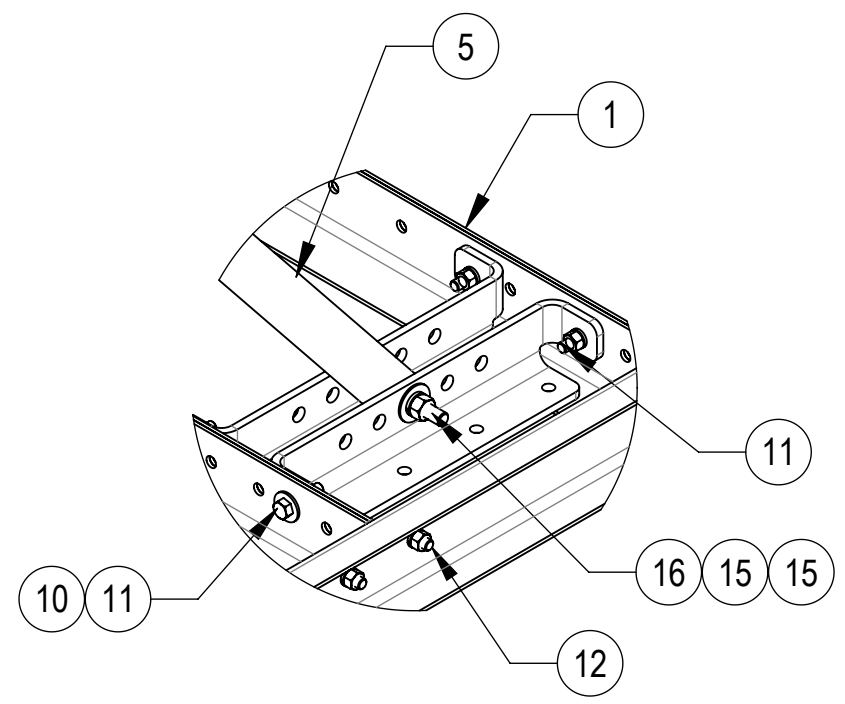
3

2

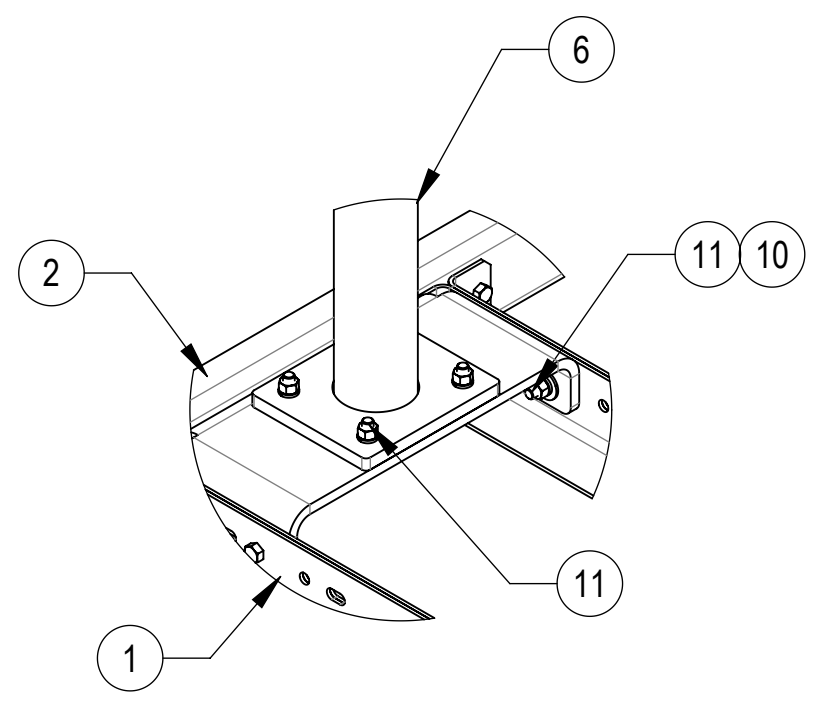
1



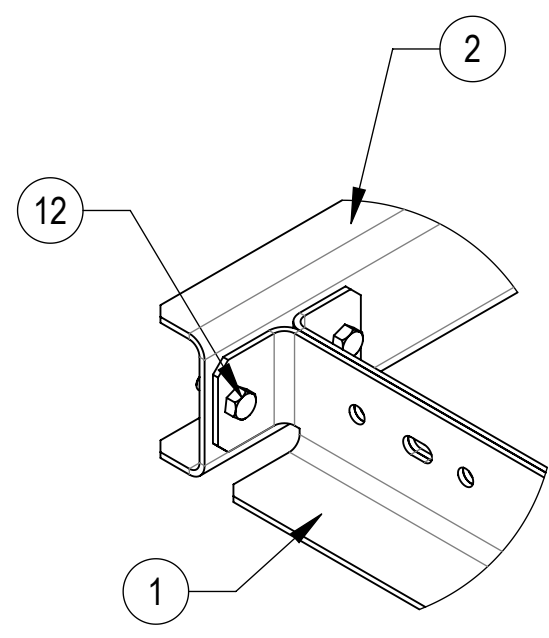
**DETAIL A**  
SCALE 1 : 8



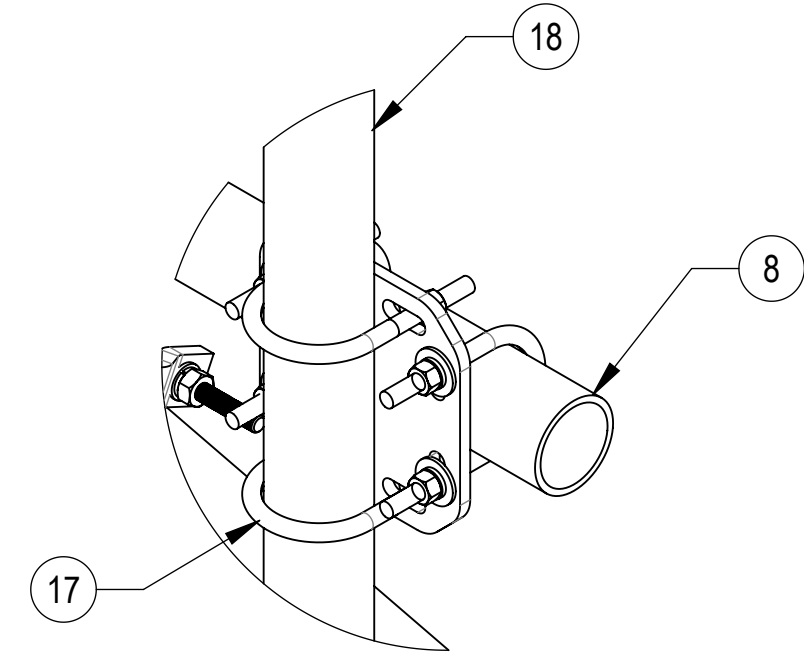
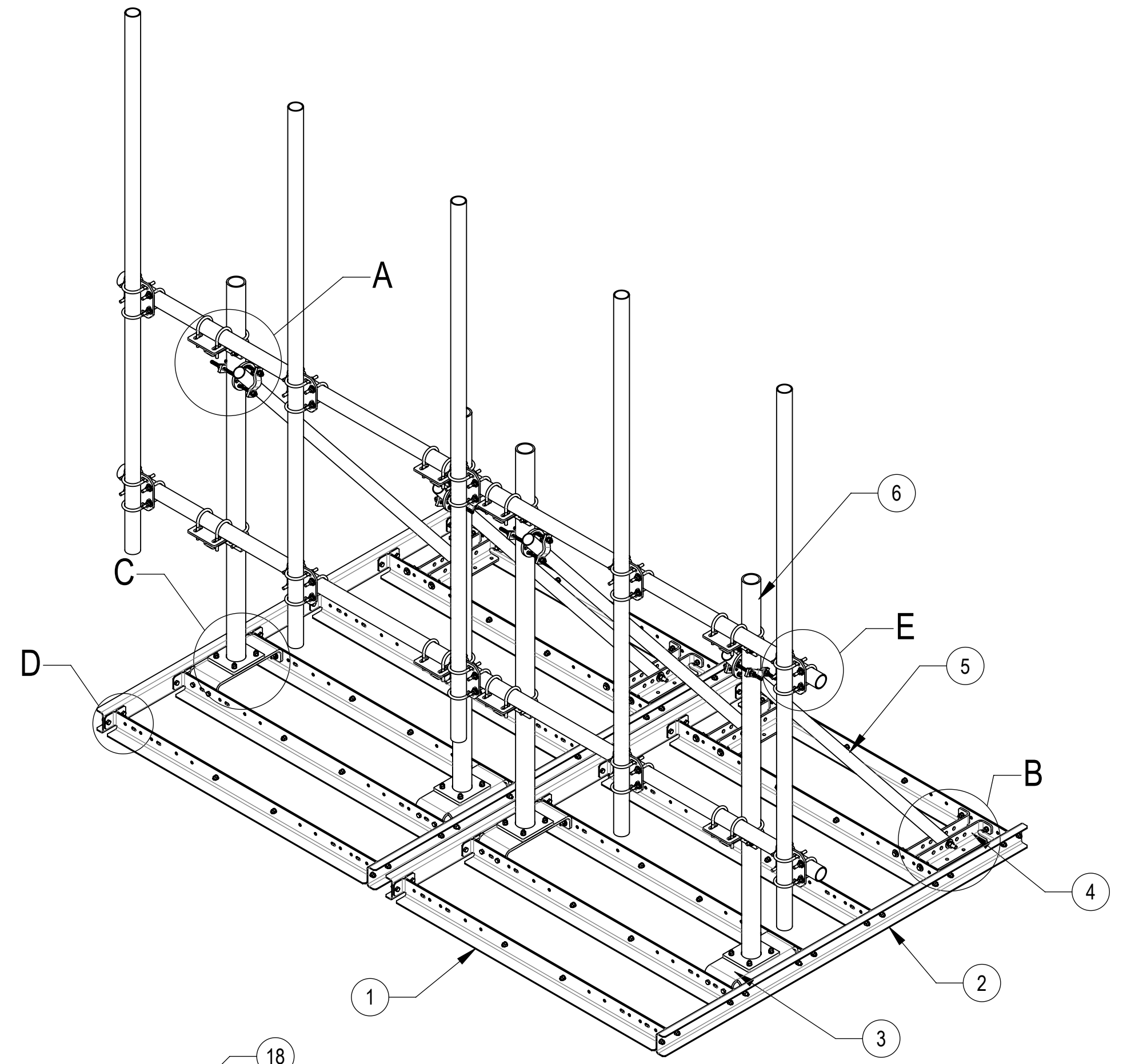
**DETAIL B**  
SCALE 1 : 8



**DETAIL C**  
SCALE 1 : 8




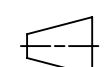
**DETAIL D**  
SCALE 1 : 5



**DETAIL E**  
SCALE 1 : 5

COMPONENT PART NUMBERS PROVIDED FOR ASSEMBLY PURPOSES;  
INDIVIDUAL COMPONENTS MAY BE SHIPPED AS PARTS WITHIN AN INCLUDED KIT.

ITEM	PART NO.	DESCRIPTION	QTY.	WEIGHT	NOTE NO.
1	RTNF100-00	ANGLE, ROOF TOP TRAY	24	22.75 LBS	
2	RTNF102	CHANNEL, ROOF TOP TRAY SIDE	4	38.18 LBS	
3	RTNF103	BRACKET, ROOF TOP VERTICLE PIPE MTG	4	27.93 LBS	
4	RTNF107	BRACKET, ROOF TOP TIEBACK	8	9.45 LBS	
5	RTNF090-00	PIPE, ROOF TOP TIEBACK	4	21.53 LBS	
6	RTNF110	WELDMENT, ROOF TOP VERTICLE PIPE	4	79.04 LBS	
7	RTNF114	WELDMENT, FACE PIPE L BRACKET	8	8.96 LBS	
8	MT546180	2.875" O.D. X 180" PIPE	2	87.21 LBS	
9	XP-R	CROSSOVER PLATE, ROUND, UP TO 3.5" OD	4	6.20 LBS	
10	GWF-04	1/2" GALV FLAT WASHER	40	0.04 LBS	
11	GB-04205	1/2" X 2" GALV BOLT KIT	56	0.16 LBS	
12	GB-04125	1/2" X 1-1/4" GALV BOLT KIT	64	0.12 LBS	
13	GUB-4352	1/2" X 3" X 5-1/4" GALV U-BOLT	16	0.71 LBS	
14	GUB-4355	1/2" X 3-5/8" X 5" GALV U-BOLT	16	0.71 LBS	
15	GWF-05	5/8" GALV FLAT WASHER, 1.7OD	8	0.06 LBS	
16	GB-05505	5/8" X 5" GALV BOLT KIT	4	0.52 LBS	
17	XP-2525	CROSSOVER PLATE KIT, 2-7/8 OD X 2-7/8 OD	10	8.37 LBS	
18	MT546120	PIPE, 2.875"OD X 120"	5	57.45 LBS	

COMMSCOPE, INC. OF NORTH CAROLINA				
TITLE PIM-GUARD MT15'BALLAST(5)2.875"x120"PIPE				
SIZE <b>C</b>	SCALE <b>1:24</b>	DOCUMENT NO. <b>RT-DF15-5-120</b>		
 		DRAWING		SHEET 2 OF 3
		VERSION 00	STATUS RE	

© 2024 CommScope, Inc. Confidential

4

3

2

1

D

D

C

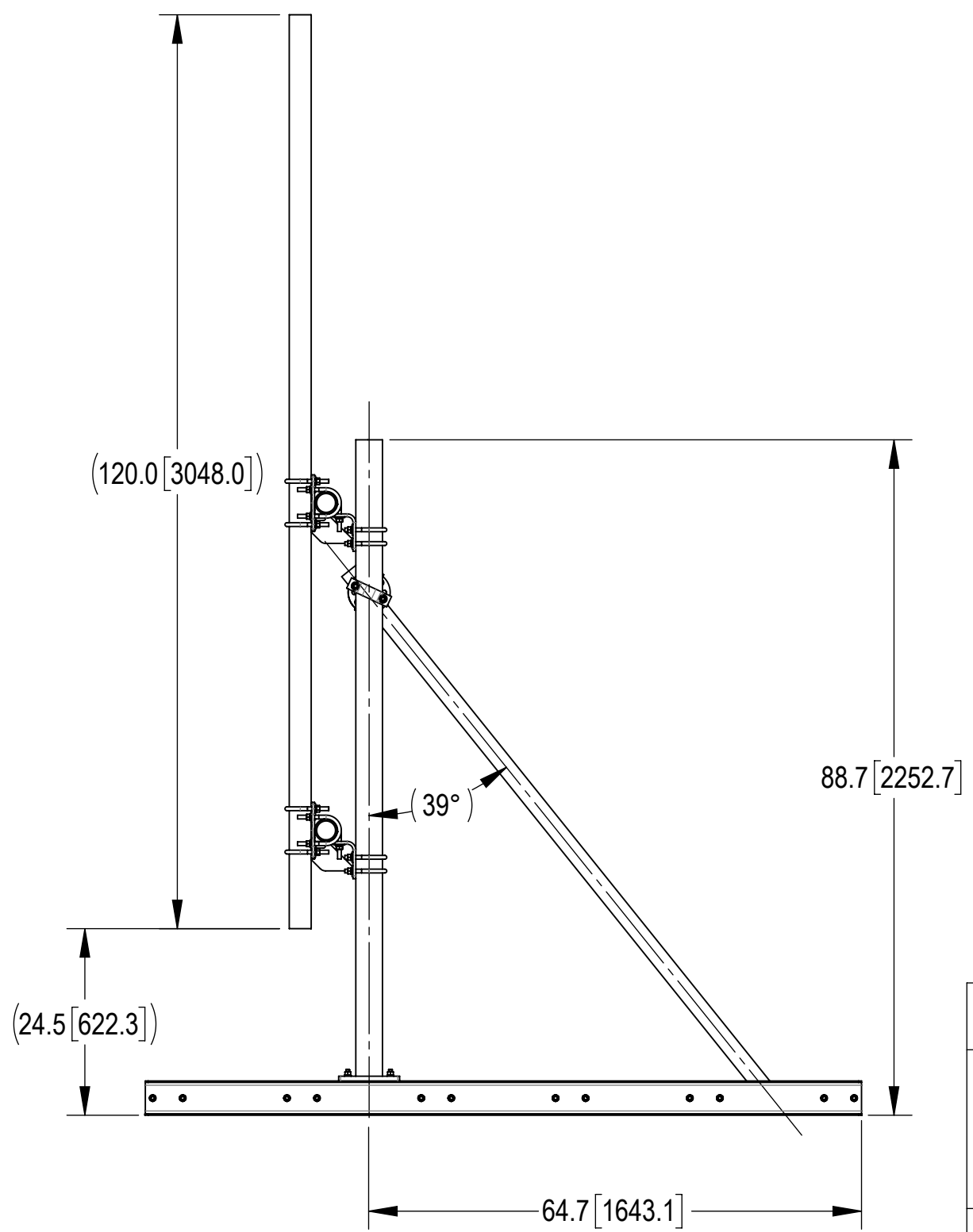
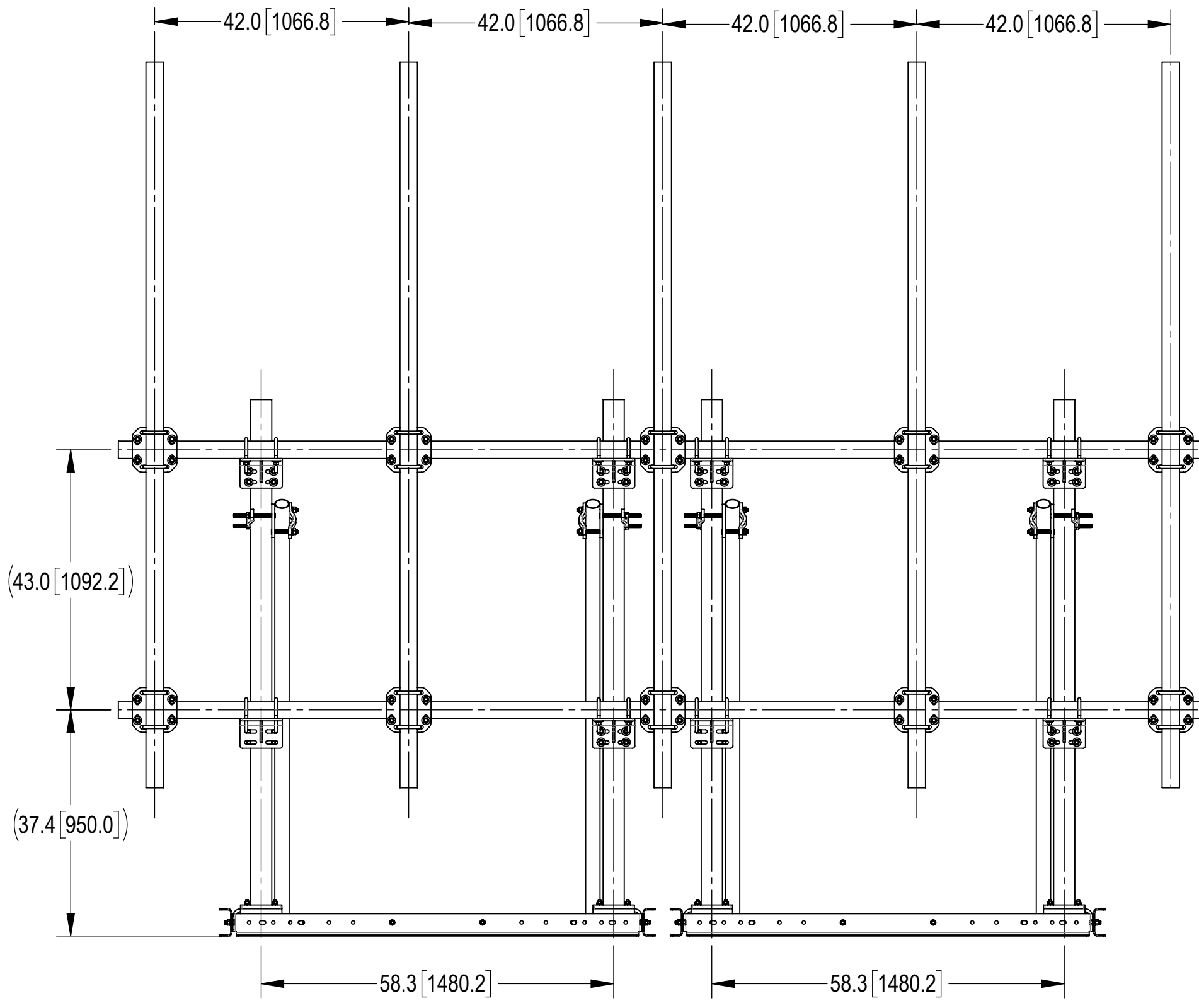
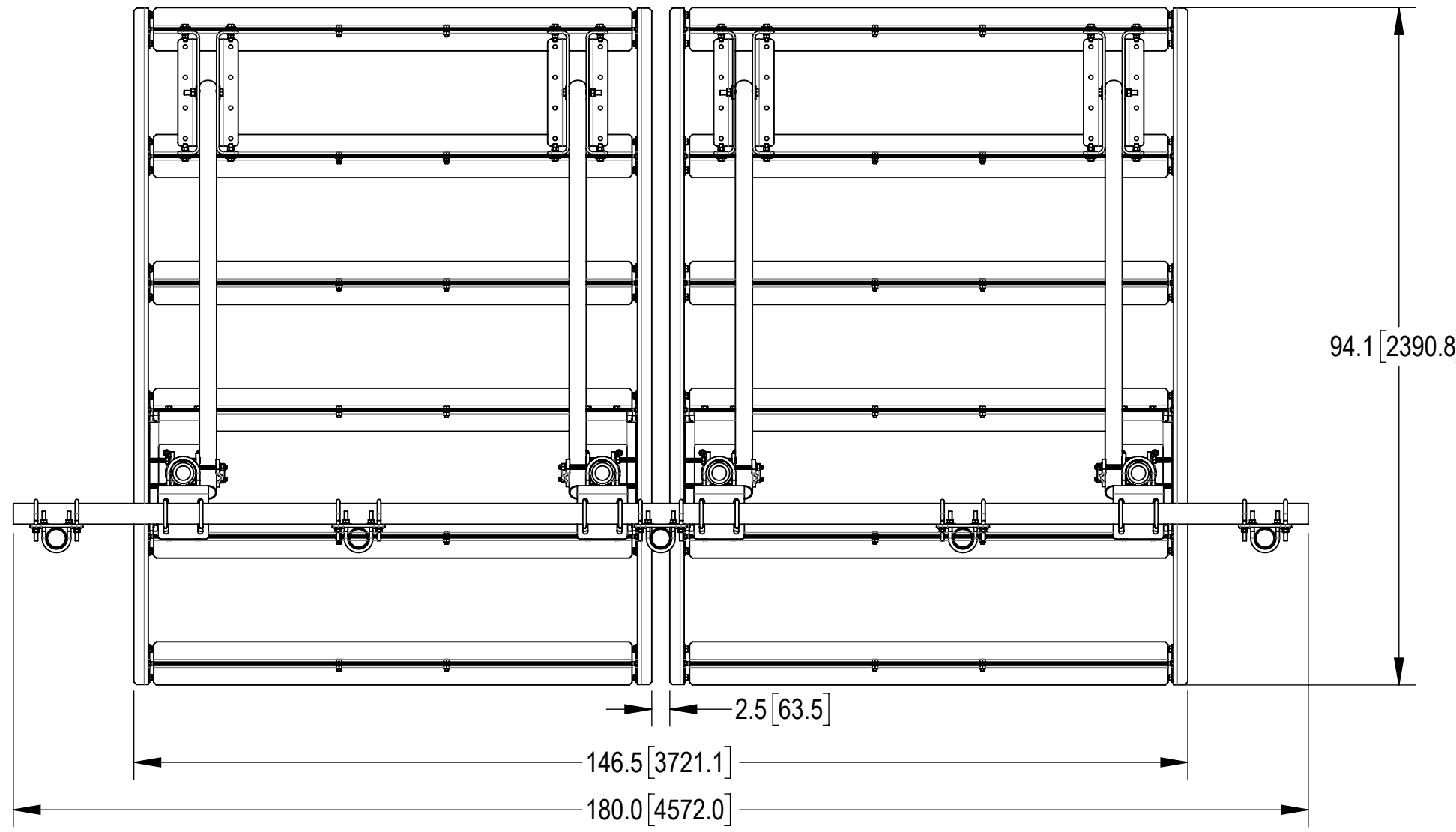
C

B

B

A

A



COMMSCOPE, INC. OF NORTH CAROLINA				
TITLE PIM-GUARD MT15'BALLAST(5)2.875"x120"PIPE				
SIZE <b>C</b>	SCALE <b>1:24</b>	DOCUMENT NO. RT-DF15-5-120		
		DRAWING		SHEET
		VERSION	STATUS	REVISION
		00	RE	A
				3 OF 3

© 2024 CommScope, Inc. Confidential

4

3

2

1