

4

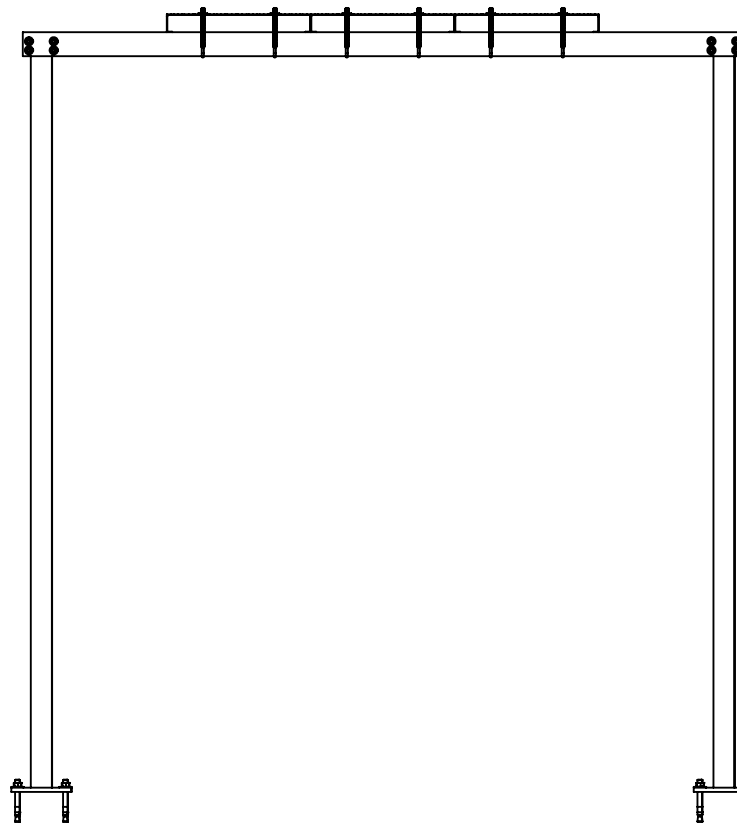
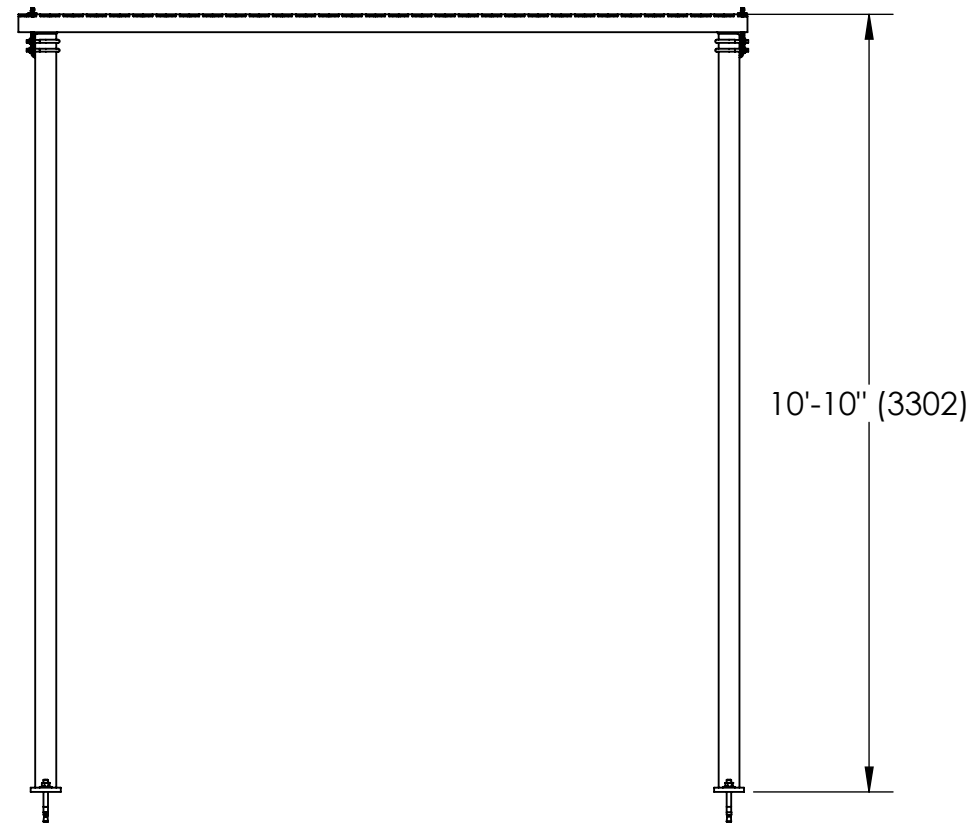
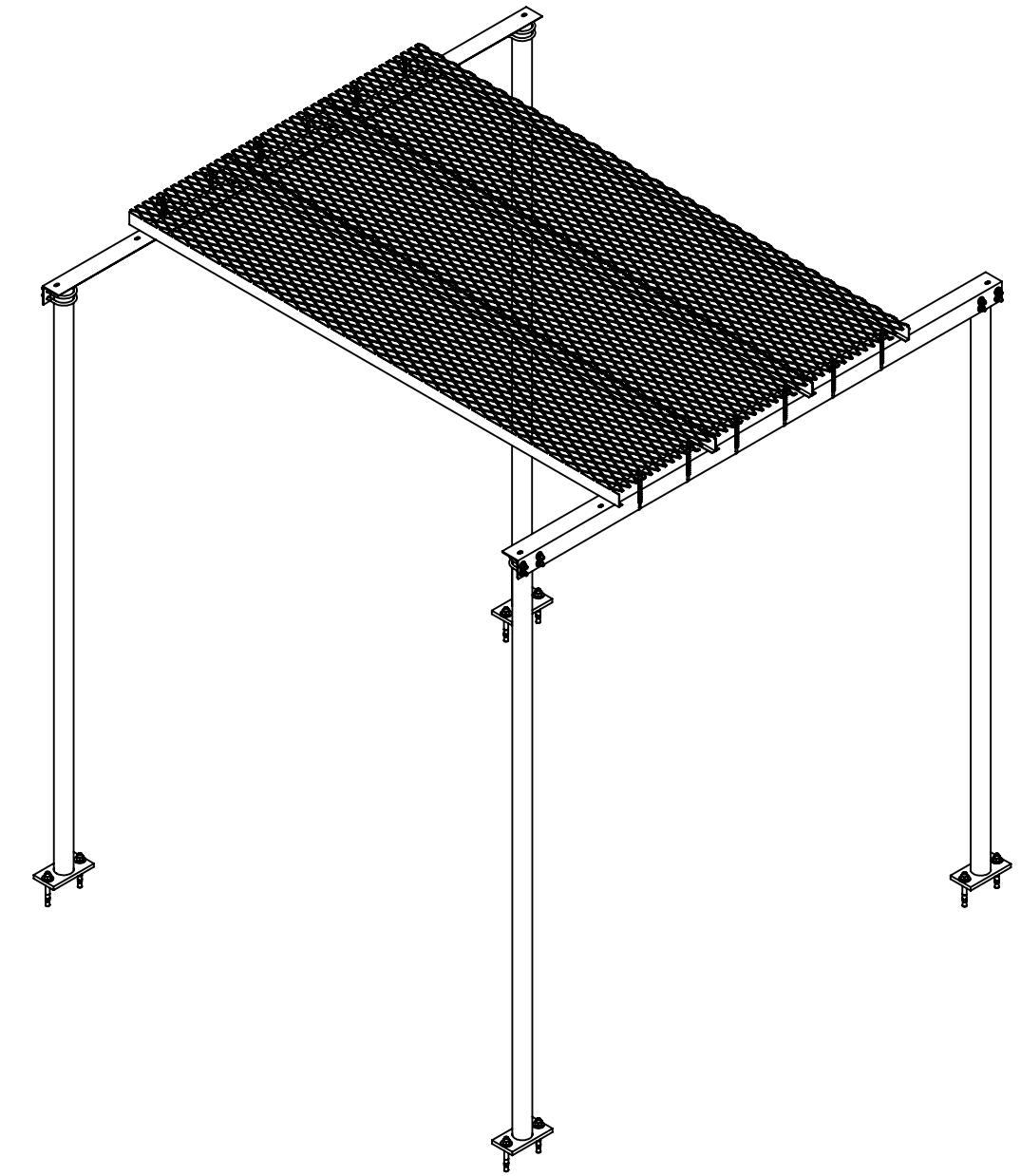
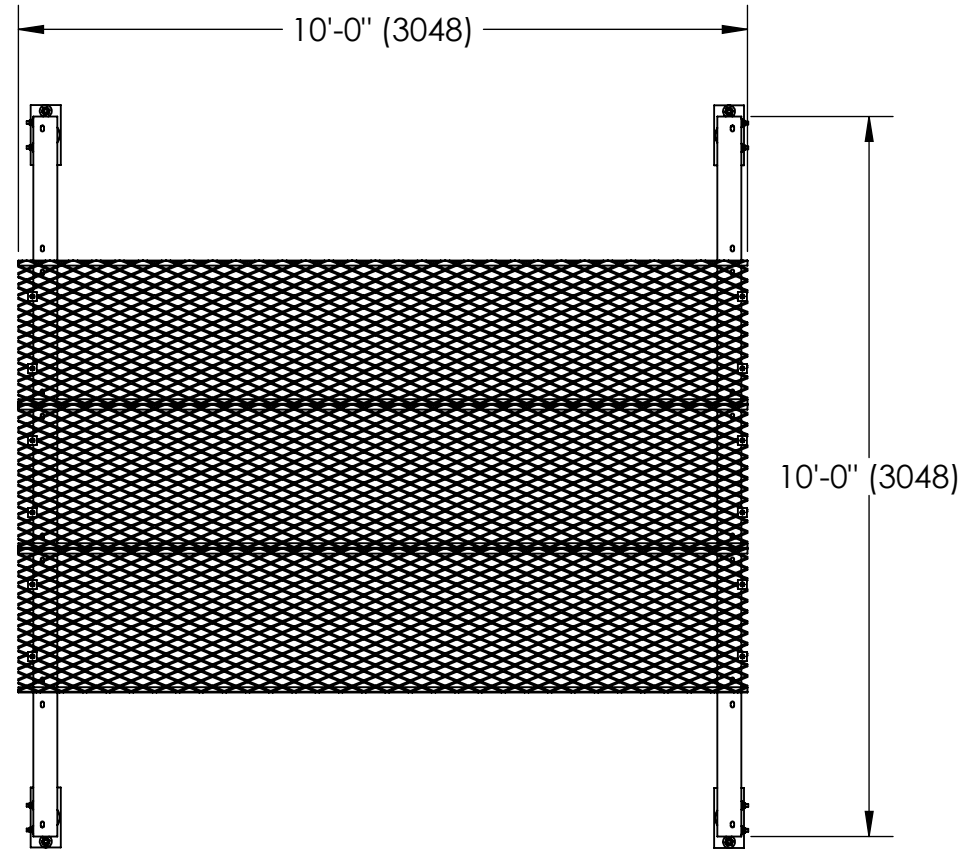
3

2

1

NOTES:

REVISIONS				
REV.	ZONE	DESCRIPTION	BY	DATE
A		INITIAL RELEASE	MJP	01/18/2024



NOTES:
1. ALL METRIC DIMENSIONS ARE IN BRACKETS.

© 2021 CommScope, Inc. Confidential

COMMSCOPE, INC. OF NORTH CAROLINA									
TOLERANCES					SAP MATERIAL MASTER				
1 PLACE .X ±		3 PLACE .XXX ±			860677547-001				
2 PLACE .XX ±		ANGLES ±							
FINISH					MATERIAL				
UNLESS OTHERWISE SPECIFIED DIMENSIONS ARE IN INCHES INTERPRET PER ANSI Y 14.5M-1994	CE	NAME	DATE	CUSTOM, IC-1010-S					
	RW								
	AD								
	RE								
	ECN								
SCALE		DOCUMENT NO.							
1:32		860677547-001							
SIZE	Auth Group	INSL	MODEL			DRAWING			SHEET
C			VERSION	STATUS	REVISION	VERSION	STATUS	REVISION	1 OF 1
			00			00	RE	A	

4

3

2

1

A

A