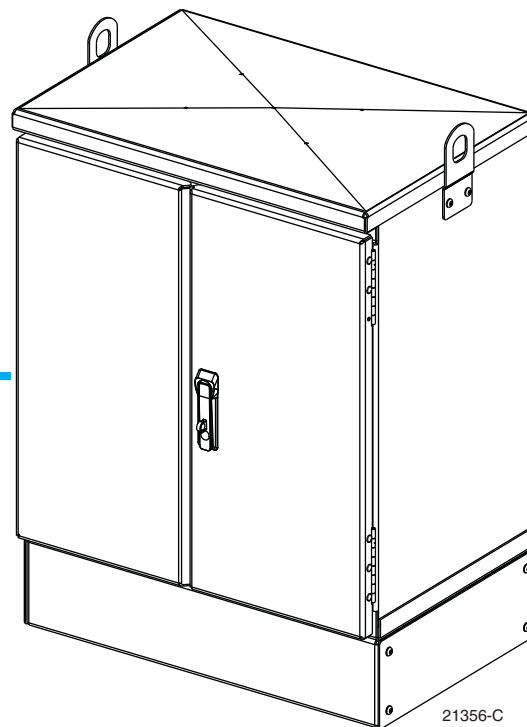


FDH 3000 288 Termination Cross-Connect Cabinet

User Manual



FDH 3000

21356-C

COPYRIGHT

© 2017, CommScope Inc.
All Rights Reserved

REVISION HISTORY

ISSUE	DATE	REASON FOR CHANGE
1	3/2015	Original.
2	January 2017	Reformatted for CommScope.

TRADEMARK INFORMATION

CommScope and CommScope (logo), and NG4access are trademarks.
Telcordia is a registered trademark of Telcordia Technologies, Inc.
GORE is a registered trademark of W. L. Gore & Associates, Inc.

DISCLAIMER OF LIABILITY

Contents herein are current as of the date of publication. CommScope reserves the right to change the contents without prior notice. **In no event shall CommScope be liable for any damages resulting from loss of data, loss of use, or loss of profits and CommScope further disclaims any and all liability for indirect, incidental, special, consequential or other similar damages. This disclaimer of liability applies to all products, publications and services during and after the warranty period.**

This publication may be verified at any time by contacting CommScope using the link provided below.

PRODUCT PATENTS

<http://www.commscope.com/ProductPatent/ProductPatent.aspx>

TECHNICAL SUPPORT AND PRODUCT INFORMATION

<http://www.commscope.com/SupportCenter/TechnicalSupport.aspx>



TABLE OF CONTENTS

Content	Page
About This Manual	v
Related Publications	v
Admonishments	v
General Safety Precautions	v
Standards Certification	vi
List of Acronyms and Abbreviations	vi
1 DESCRIPTION	1
1.1 FDH 3000 288 Termination Cross-Connect Cabinet	1
2 BEFORE STARTING THE INSTALLATION	4
2.1 Installation Overview	4
2.2 Unpacking and Inspection	4
2.3 Pedestal-Mount Cabinet Installation Hardware	5
2.4 OSP Cable and Cabinet Grounding Cables	5
2.5 Tools and Materials Required for Installation	5
2.6 Cabinet Mounting	6
3 MOUNTING THE PEDESTAL-MOUNT CABINET ON A FIBERGLASS MOUNTING SLEEVE	7
3.1 Installation Recommendations	7
3.2 Excavation	8
3.3 Placement of the FMS	9
3.4 Cable Conduit Installation	10
3.5 Grounding System Installation	10
3.6 Back Fill	10
3.7 Mounting the Cabinet on the FMS	10
3.8 Grounding Wire Connection To Cabinet	13
4 MOUNTING THE PEDESTAL-MOUNT CABINET ON A CONCRETE PAD	14
4.1 Installation Recommendations	15
4.2 Base Construction and Conduit Installation	15
4.3 Concrete Pad Construction	17
4.4 Grounding System Installation	18
4.5 Mounting the Cabinet on the Concrete Pad	19
4.6 Grounding Wire Connection To Cabinet	21
5 OSP CABLE CONFIGURATION INFORMATION	23
6 CONNECTOR PANEL INSTALLATION	24
7 ROUTING AND CONNECTING THE CROSS-CONNECT PATCH CORDS	28
8 MAINTENANCE AND REPAIR PROCEDURES	29
8.1 Painting	29
8.2 Connector Panel Adapter Replacement	29
8.3 Replacing a Damaged Distribution or Feeder Connector	30
8.4 Door Gasket Replacement	31
8.5 Door Replacement	31
9 CUSTOMER INFORMATION AND ASSISTANCE	32

TABLE OF CONTENTS

Content	Page
---------	------

(No entrees on this page.)

ABOUT THIS MANUAL

This publication describes the FDH 3000 288 Termination Cross-Connect Cabinet. Also included are procedures for mounting the cabinet, installing additional connector panels, routing patch cords between the terminated feeder and distribution cables, and replacing damaged components.

RELATED PUBLICATIONS

Listed below are related manuals and their publication numbers. Copies of these publications can be ordered by contacting the CommScope Technical Assistance Center; refer to [Section 9 on Page 32](#).

Title	ADCP Number
Optical Fiber Connector Wet and Dry Cleaning Instructions	90-159

ADMONISHMENTS

Important safety admonishments are used throughout this manual to warn of possible hazards to persons or equipment. An admonishment identifies a possible hazard and then explains what may happen if the hazard is not avoided. The admonishments — in the form of Dangers, Warnings, and Cautions — must be followed at all times. These warnings are flagged by use of the triangular alert icon (seen below) and are listed in descending order of severity of injury or damage and likelihood of occurrence.



Danger: *Danger is used to indicate the presence of a hazard that **will** cause severe personal injury, death, or substantial property damage if the hazard is not avoided.*



Warning: *Warning is used to indicate the presence of a hazard that **can** cause severe personal injury, death, or substantial property damage if the hazard is not avoided.*



Caution: *Caution is used to indicate the presence of a hazard that **will** or **can** cause minor personal injury or property damage if the hazard is not avoided.*

GENERAL SAFETY PRECAUTIONS



Warning: *Wet conditions increase the potential for receiving an electrical shock when installing or using electrically-powered equipment. To prevent electrical shock, never install or use electrical equipment in a wet location or during a lightning storm.*



Danger: *Do not look into the ends of any optical fiber. Exposure to laser radiation may result. Do not assume the laser power is turned-off or that the fiber is disconnected at the other end.*



Danger: *Use adequate lifting equipment when moving or installing cross-connect cabinets. Verify that the maximum lift weight rating of the equipment is sufficient to handle the weight of the cabinet.*



Danger: *Do not stand under a cross-connect cabinet as it is being hoisted into position for mounting. A failure of the lifting equipment or apparatus could result in serious personal injury and cause significant damage to the cabinet.*



Warning: *Before digging, check with all local utilities for the presence of buried cables or pipes. Contact with underground cables or pipes, especially electric power cables and gas service lines, could interrupt local utility service and cause serious personal injury and extensive property damage.*

STANDARDS CERTIFICATION

Telcordia: This equipment is designed in accordance with the applicable sections of GR-3125-CORE.

LIST OF ACRONYMS AND ABBREVIATIONS

The acronyms and abbreviations used in this manual are detailed in the following list:

AWG	American Wire Gauge
C	Centigrade
F	Fahrenheit
FDH	Fiber Distribution Hub
FMS	Fiberglass Mounting Sleeve
FTTP	Fiber To The Premises
OSP	Outside Plant
PMF	Pad Mount Frame
PNP	Plug and Play
X-CONN	Cross-Connect

1 DESCRIPTION

1.1 FDH 3000 288 Termination Cross-Connect Cabinet

The FDH 3000 288 termination cross-connect cabinet is a secure, above-ground, outdoor fiber optic distribution cabinet that provides cross-connect capability within Fiber To The Premises (FTTP) optical networks. The current version of the cabinet is designed for **pedestal-mount** applications. Future versions of the cabinet will also support **pole-mount** applications. A typical pedestal-mount cabinet is shown in [Figure 1](#).

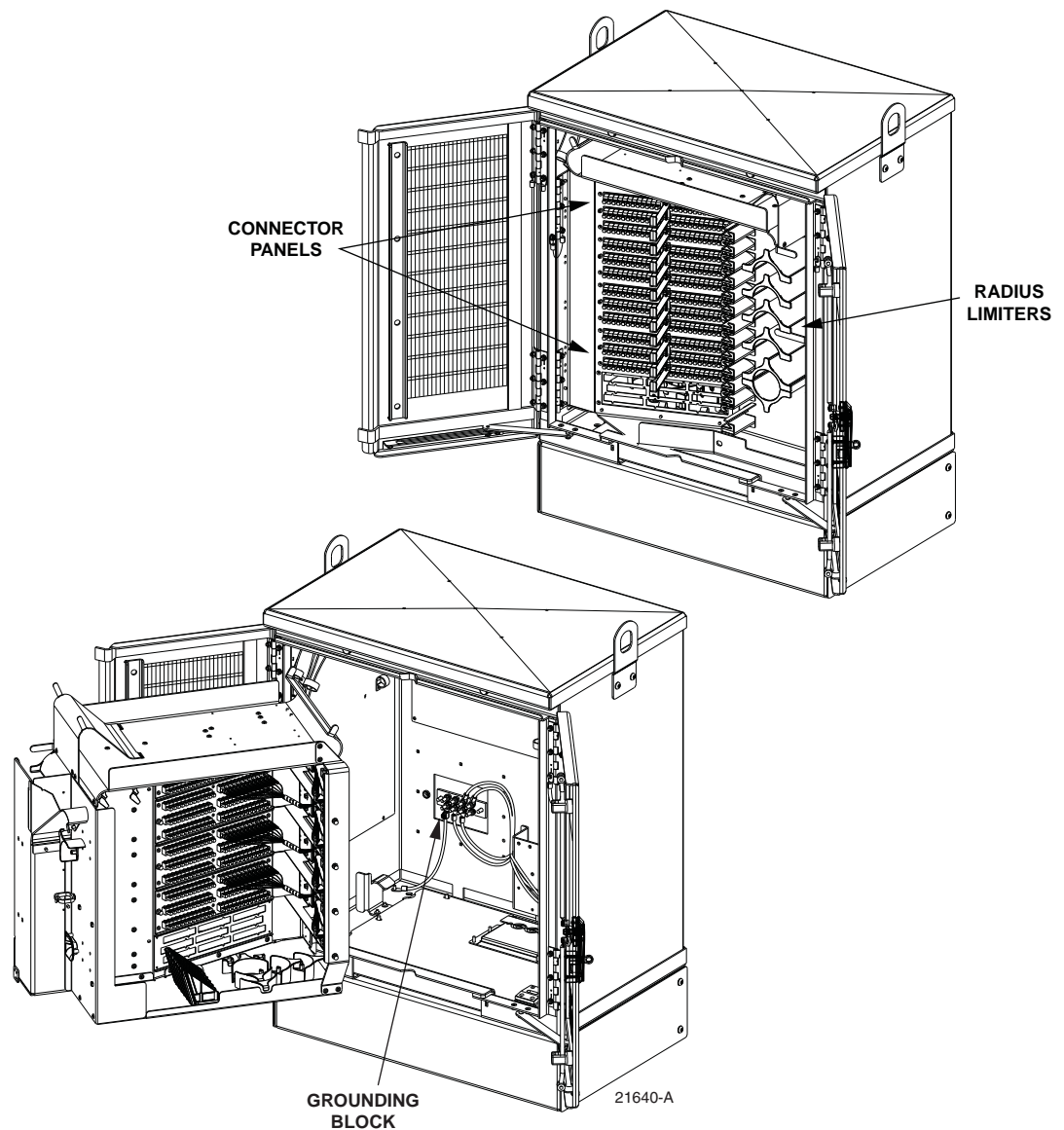


Figure 1. Typical 288 Termination Pedestal-Mount Cabinet

The interior of the FDH 3000 288 termination cross-connect cabinet consists of the following primary components:

Connector Panels: Provide a point for accessing and cross-connecting network cable optical fibers. Each panel provides mounting spaces for 72 bulkhead adapters. The cabinet may be equipped with one, two, three, or four connector panels. Adapters for UPC/SC or APC/SC style connectors are available.

Radius Limiters: Provide a place for storing excess slack from the jumper patch cords.

Grounding Block – Provides a point for grounding the cabinet and the OSP cables per local requirements.

The exterior of the cabinet is constructed of heavy gauge aluminum and is coated with an almond-colored finish. Each cabinet is equipped with two front doors that provide full front access to the optical components. The cabinet doors are equipped with a tamper-resistant latch that includes a hasp for a padlock, stainless steel hinges, and door catches that prevent accidental closing. Access to the cabinet requires a 216B key tool (accessory) to release the latch handle. Lifting eyes are provided for hoisting the cabinet into position for mounting. Each cabinet is equipped with a 6-inch ground spacer/riser to provide ground clearance.

The pedestal-mount cabinet may be mounted on a concrete pad or on a fiberglass mounting sleeve. Mounting kits (accessories) are available for each mounting option. The feeder and distribution cables enter/exit the cabinet from the bottom. Clamps secure the cables to the inside of the cabinet. The bottom of the cabinet is enclosed with a moisture barrier. The cable entry/exit hole is fitted with a flexible membrane to resist the entry of dust and moisture. GORE membrane vents are provided to release any moisture that may accumulate within the cabinet.

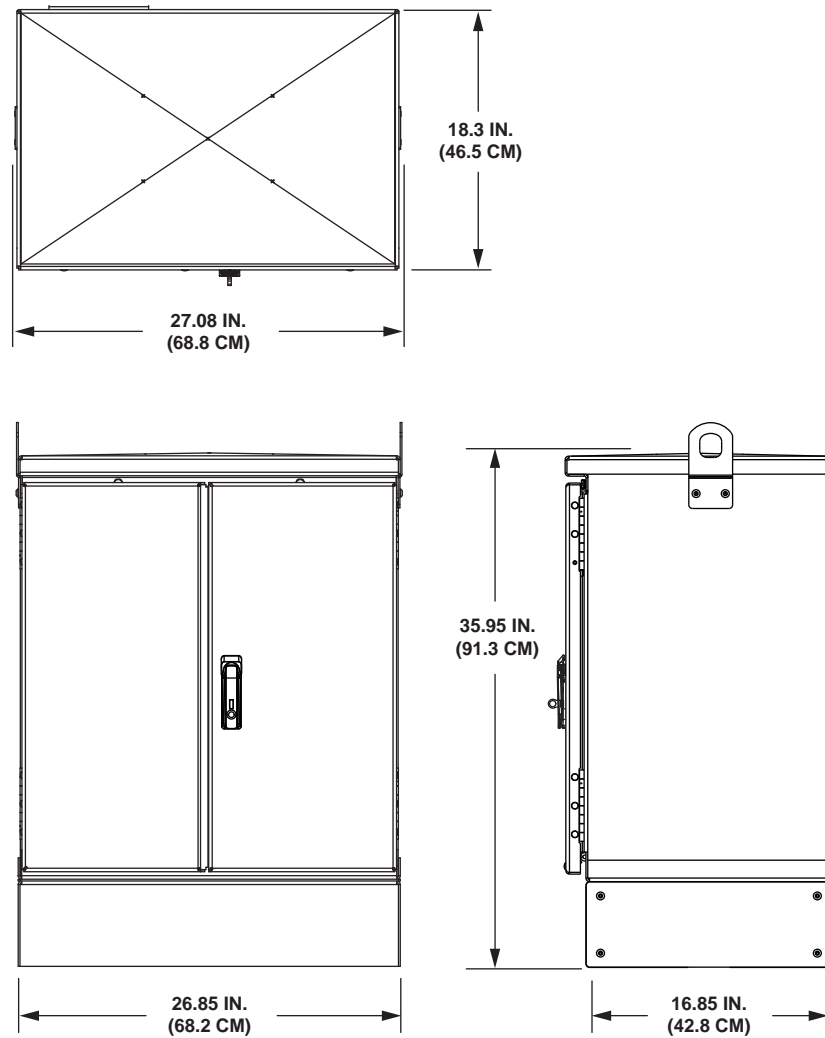
The cabinet is equipped with factory-installed outside plant (OSP) distribution and feeder cables. Ribbon and stranded type cables with either dielectric or armored construction are available. The cable stubs are 100 feet in length. Cables with metallic strength members are fitted with grounding terminals which are connected to the grounding block with jumper cables. The specifications for the FDH 3000 288 termination cabinet are provided in [Table 1](#).

Table 1. FDH 3000 288 Termination Cross-Connect Cabinet Specifications

PARAMETER	SPECIFICATION
Cabinet	
Dimensions (H x W x D) Pedestal-Mount (See Figure 2)	36 x 27 x 18 x inches (99.3 x 61.7 x 43.2 cm)
Weight (fully loaded)	150 lbs (68 kg)
Connector panels (maximum)	4
Optical ports	Up to 288 with four 72-port connector panels

Table 1. FDH 3000 288 Termination Cross-Connect Cabinet Specifications, continued

PARAMETER	SPECIFICATION
Optical port adapters/connectors	UPC/SC or APC/SC,
Feeder/Distribution cable length	100 ft.



21641-A

Figure 2. FDH 3000 288 Termination Cross-Connect Cabinet Dimensions

2 BEFORE STARTING THE INSTALLATION

This section provides general installation considerations, unpacking and inspection procedures, and lists the tools and materials required for cabinet installation.

2.1 Installation Overview

Installation of the FDH 3000 288 termination cross-connect cabinet involves the following main tasks:

Installing a Support Base (Pedestal-Mount) – The pedestal-mount cabinet must be mounted on a suitable support base. The following two mounting options are available:

- **Fiberglass Mounting Sleeve (FMS)**–The FMS is a rectangular sleeve that mounts in the ground. The FMS provides a stable mounting platform plus storage space under the cabinet for OSP cable slack. The FMS may also be used as a splicing vault for OSP cables.
- **Poured Concrete Pad**–Concrete slab with Pad Mounting Frame (PMF). The PMF is a stainless-steel frame that is embedded in the concrete during installation of the slab. The cabinet attaches to the PMF which holds it securely to the slab.

Mounting the Cabinet (Pedestal-Mount) – After the support base is installed, the pedestal-mount cabinet must be secured to the support base. The OSP feeder and distribution cables must be uncoiled and routed to a separate splice enclosure (not provided) before the cabinet is secured to the support base.

2.2 Unpacking and Inspection

This section provides instructions for opening the shipping boxes, verifying that all parts have been received, and verifying that no shipping damage has occurred.

Use the following procedure to unpack and inspect the cabinet and all accessories:

1. Open the shipping carton(s) and carefully unpack the cabinet and any accessories from the protective packing material.
2. Open the cabinet doors (requires 216B key tool) and check for broken or missing parts. If there are damages, contact CommScope (see [Section 9](#)) for an RMA (Return Material Authorization) and to reorder if replacement is required.

2.3 Pedestal-Mount Cabinet Installation Hardware

The pedestal-mount cabinet is shipped with various parts (see [Table 2](#)) for securing the cabinet to the FMS or PMF. Verify that the parts specified are received.

Table 2. Cabinet Installation Hardware

ITEM	QUANTITY
3/8 x 1-inch hex head capscrews	4
3/8-inch flat washers	4
3/6-inch lock washers	4
Isolation gasket	1

2.4 OSP Cable and Cabinet Grounding Cables

The cabinet is equipped with a common grounding block that is used to tie together all the components of the cabinet that must be grounded. The cabinet itself and any OSP cables with metallic strength members must be connected to an earth ground source. Information on grounding is provided in the sections that cover cabinet mounting.

2.5 Tools and Materials Required for Installation

The following tools and materials are required for cabinet installation:

All Cabinet Installations

- Hammer
- Wire cutter
- Utility knife
- Screwdriver (flat blade)
- Tape measure
- Pen or marker
- 216B key tool (accessory - required to open cabinet door)
- 3/16-inch security hex-head wrench (required to open riser security panel)
- Padlock (optional)
- Grounding system, copper wire, and grounding clamp (per local requirements)
- Splicing equipment for splicing OSP feeder and distribution cables
- Lifting equipment for hoisting the cabinet into position for mounting

Fiberglass Mounting Sleeve Installation

- Fiberglass Mounting Sleeve kit (FMS-ACE100-KIT-A)
- 9/16-inch wrench
- Security key (accessory - required to remove lifting eyes)

- Excavation and earth moving equipment
- Stone aggregate
- Tamping equipment
- Level
- Hole saw and drill (use to cut holes for cable conduit if pre-drilled holes are not usable)
- Landscaping equipment and site restoration supplies

Concrete Pad Installation

- Pad Mount Frame kit for FDH 3000 288 termination cross-connect cabinet (FD3-PMFE06)
- 9/16-inch wrench
- Security key (accessory - required to remove lifting eyes)
- Excavation and earth moving equipment
- Concrete finishing equipment
- Approximately 11.5 cu. ft. concrete
- Sand or gravel
- Tamping equipment
- 2 x 6 inch framing lumber
- 1 x 4 inch wooden stakes (4)
- Nails and construction screws
- Utility wire (to secure PMF during installation)
- Saw
- Drill with screwdriver bits
- Square
- Level
- Landscaping equipment and site restoration supplies

2.6 Cabinet Mounting

The next two sections provide installation instructions for the various cabinet mounting systems. Use whichever procedure is appropriate for the installation.

3 MOUNTING THE PEDESTAL-MOUNT CABINET ON A FIBERGLASS MOUNTING SLEEVE

The FMS shown in [Figure 3](#), is a fiberglass and polymer concrete sleeve that may be used to support the cabinet at ground level. The FMS may also be used as a splicing vault. Four vertical racks are molded into the sides of the FMS to accommodate removable rungs (not provided). The rungs provide support for splice cases or OSP cable storage.

3.1 Installation Recommendations

The site chosen for the installation must conform to all local codes and any permits required must be obtained prior to the start of installation. The location must be accessible and provide adequate parking for worker and vehicle safety. Situate the FMS close to the trench that was used for routing the OSP fiber cables for the network distribution system.

The installed cabinet must not create a visual or physical obstruction to vehicular or pedestrian traffic. Ensure that there is sufficient space on all sides to facilitate cabinet installation. Depending on the landscaping requirements, the top surface of the mounting sleeve may be located from 0 to 4 inches (10.2 cm) above the surrounding grade.

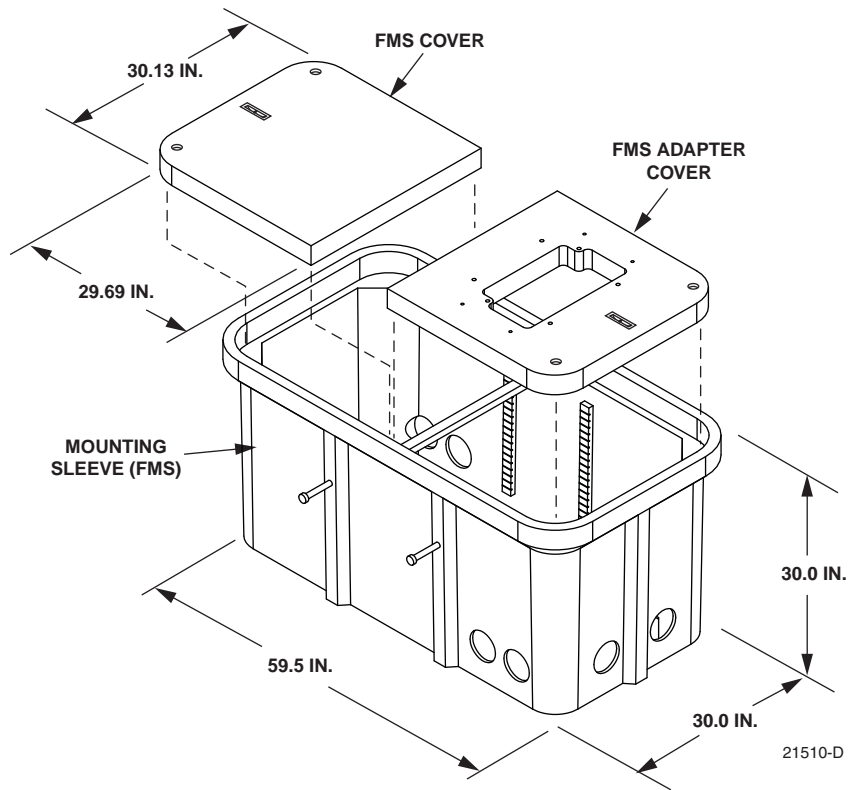


Figure 3. Fiberglass Mounting Sleeve (FMS-ACE100-KIT-A)

3.2 Excavation

The excavation must be large enough to provide a fill base that will maintain stability for the FMS and the cabinet mounted on it. There must be room for 12 inches (30.5 cm) of fill below and on each side of the FMS. The excavation dimensions for the FMS are shown in [Figure 4](#). Excavate a rectangular hole for the FMS.

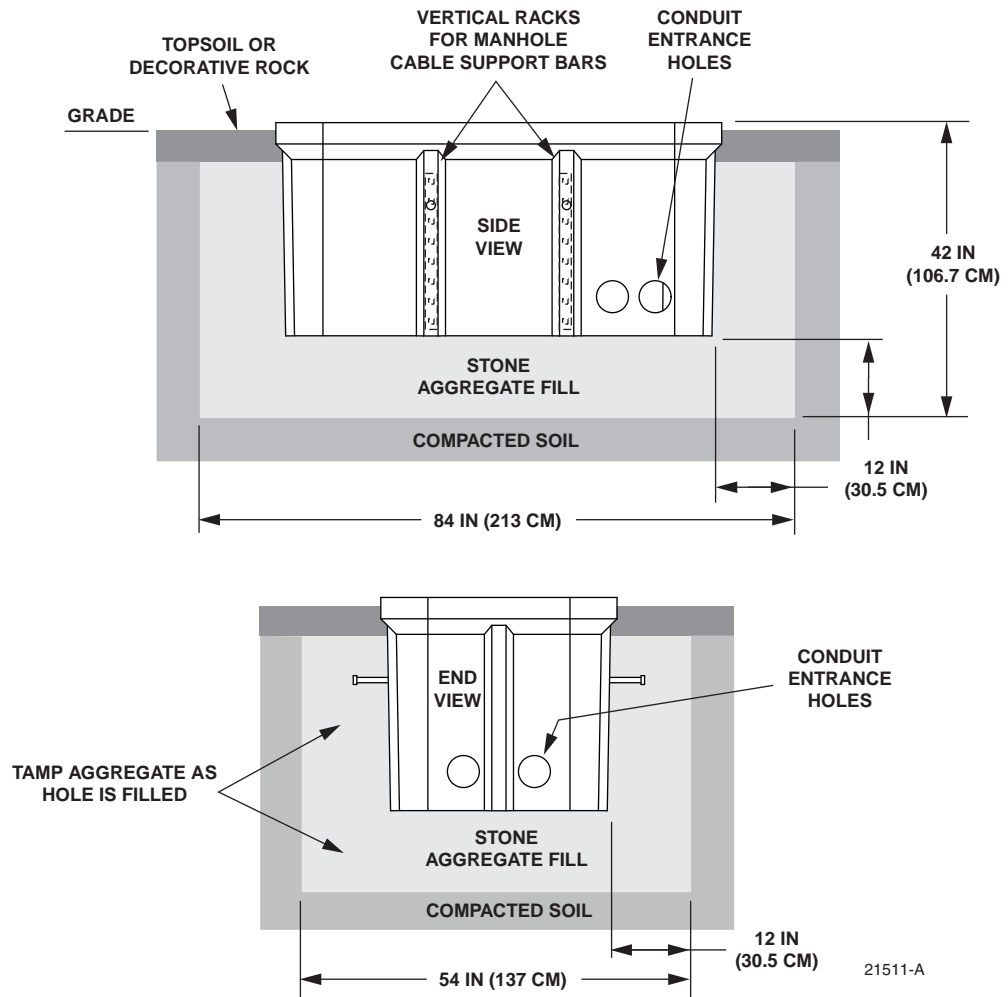


Figure 4. Excavation Recommendations for FMS-ACE100-KIT-A

3.3 Placement of the FMS



Danger: Use adequate lifting equipment when installing the FMS. Do not stand in the hole while placing the FMS in position. An unexpected shift of the FMS could result in personal injury.

Use the following procedures to place the FMS into the excavation.

1. Fill the bottom of the hole with stone aggregate, tamping it as it is filled to build a 12 inch (30.5 cm) layer with a level surface. The stone aggregate will provide a stable base to support the FMS.

- ▶ **Note:** Use crushed rock 3/8-inch or less in size mixed with stone dust (per local practice) to fill the hole. The name of the material may differ in different geographical areas. Possible names are Class 5, stone dust, aughts (0s) and ones (1s), or stone aggregate
- 2. Use appropriate lifting equipment to place the FMS into the center of the hole. Lifting bolts are provided on the sides of the FMS for attaching a sling or chain.
- 3. Use a carpenter's level to verify that the FMS is level. If it is necessary to add or remove fill for leveling, tamp any added fill to maintain the base stability.

3.4 Cable Conduit Installation

Select the conduit entrance holes (see [Figure 4](#)) for the OSP feeder and distribution cables. If necessary, additional conduit entrance holes may be cut using a power drill and hole saw. Place and route the conduit into the entrance hole(s). If preferred, the FMS may be installed without conduit. OSP cables may be routed into the FMS at any point that is convenient. Cut the cable entrance hole to match the size of the cable.

3.5 Grounding System Installation

Install a grounding system (not provided) that meets all local electrical codes. Check local codes for grounding system installation, use of clamps, wire size, and any other grounding requirements. Typically, #6 AWG copper wire is used for the grounding wire. Install the grounding system inside the FMS where it will not interfere with the conduit or cables. Leave sufficient slack in the grounding wire to allow it to be routed into the cabinet after the cabinet is mounted on the sleeve.

3.6 Back Fill

If installing conduit, hand shovel stone aggregate under the conduit to avoid damage from the power tamper. Complete the back fill as follows:

1. Add stone aggregate evenly around the FMS and tamp. Fill to approximately 6 inches (15.2 cm) from the top of the excavation.
2. Complete the back-fill with crushed rock or topsoil depending on the landscaping requirements. The top surface of the mounting sleeve may be located from 0 to 4 inches (10.2 cm) above the surrounding grade (see [Figure 4](#)).

3.7 Mounting the Cabinet on the FMS

Use the 216B key tool to un-latch and latch the cabinet doors as needed during the mounting process. Refer to [Figure 5](#) as necessary when mounting the cabinet.



Warning: Use appropriate lifting equipment when moving or installing the cabinet. Do not stand under a cabinet as it is being hoisted into position for mounting. A failure of the lifting equipment could result in serious personal injury.

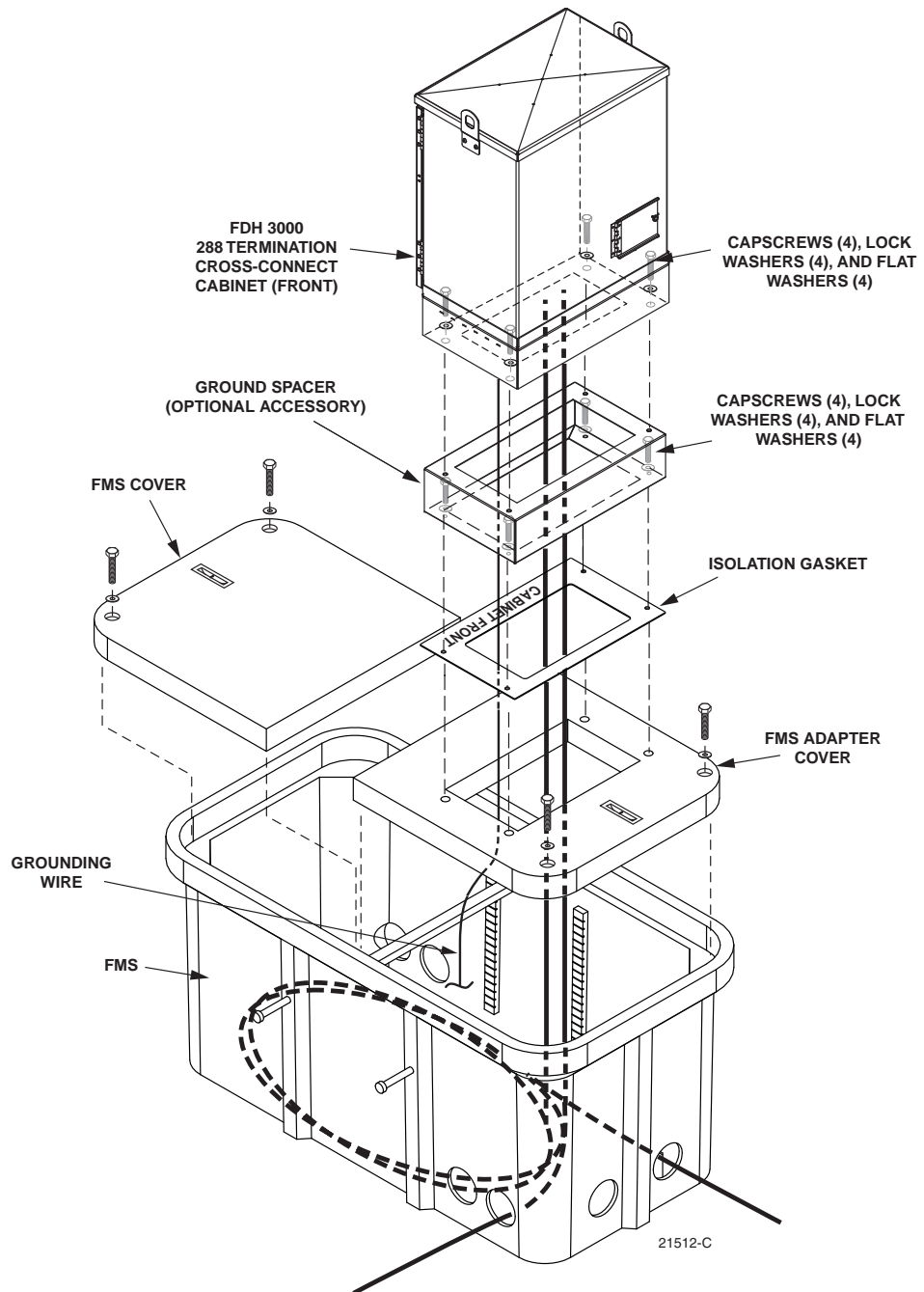


Figure 5. Mounting the FDH 3000 288 Termination Cross-Connect Cabinet on the FMS

Use the following procedure to mount the cabinet on the FMS:

1. Use a 3/16-inch security hex-head wrench to remove the four screws that secure the access cover to the left and right sides of the cabinet ground spacer/riser as shown in [Figure 6](#).

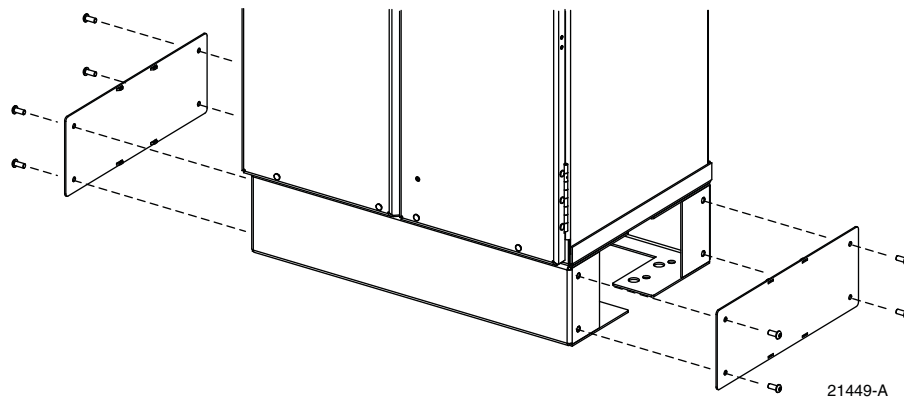


Figure 6. Removing Access Covers From Front of Ground Spacer/Riser

2. Remove the access covers from the ground spacer/riser and set aside both the covers and the screws for reuse.
3. Mount the FMS adapter cover on the FMS and secure using the two capscrews and flat washers provided. Tighten each capscrew securely.
4. Place the isolation gasket (provided with cabinet) on the adapter cover and align the holes in the gasket with the holes in the adapter cover. Make sure the wide side of the gasket is on the side of the adapter cover that corresponds to the front side of the cabinet.
5. If a ground spacer/riser (optional accessory) will be installed, place the spacer in position for mounting on the adapter cover. The isolation gasket installed in step 4 should remain in place between the adapter cover and ground spacer. If a ground spacer will not be installed, proceed to step 8.
6. Align the mounting holes in the spacer/riser with the mounting holes in the adapter cover.
7. Secure the spacer/riser to the adapter cover using the four capscrews, four lock washers, and four flat washers provided with the spacer. Tighten all capscrews securely.
8. Using appropriate lifting equipment, hoist the cabinet several feet into the air to provide access to the feeder and distribution cables.



Danger: Do not stand directly under the cabinet as it is being hoisted into position for cable installation. A failure of the lifting equipment could result in serious personal injury.

- ▶ **Note:** Label or tag the stub end of each cable so it can be identified after it is routed to the splice enclosure.
9. Carefully route the stubbed feeder and distribution cables through the rectangular opening in the ground spacer/riser or adapter cover and into the FMS.

10. Feed the stubbed feeder and distribution cables into the appropriate conduit sections and route to the splice enclosure (not provided). Some excess cable slack may be stored in the bottom of the FMS.
 - ▶ **Note:** A separate splice enclosure (not provided) is required for splicing the cabinet OSP cables to the network OSP cables. If required, the splice enclosure may be mounted within the FMS.
11. Lower the cabinet onto the ground spacer/riser or adapter cover and align the mounting holes in the cabinet base with the threaded holes in the spacer/riser or cover. If a spacer/riser was not installed, leave the isolation gasket (installed in step 4) in place on the adapter cover.
12. Secure the cabinet to the adapter cover or spacer using the four capscrews, lock washers, and flat washers provided with the cover. Tighten all four capscrews securely.
13. Install the FMS sleeve cover onto the FMS and secure using the two capscrews and washers provided. Tighten both capscrews securely.
 - ▶ **Note:** The FMS sleeve cover may be installed at a later time to the interior of the FMS sleeve to be accessed for cable installation, ground wire installation, or splicing.
14. The lifting eyes may be left in place or removed from the cabinet. To remove the lifting eyes, use the security key tool (accessory) to remove the lifting eye screws. Store the lifting eyes inside the cabinet and then re-install the lifting eye screws in the cabinet.
15. Reinstall the left and right access covers that were removed in step 1. Use the 3/16-inch security hex-head wrench to tighten the screws that secure the access covers to the sides of the cabinet ground spacer/riser.

3.8 Grounding Wire Connection To Cabinet

Prior to mounting the cabinet, a grounding system and grounding wire should have been installed (see [Section 3.5](#)) in the space below the cabinet. Use the following procedure to connect the grounding wire to the cabinet:

1. Locate the grounding wire that was installed prior to mounting the cabinet on the FMS.
2. Working from the bottom side of the cabinet, insert the grounding wire through the flexible membrane at the point indicated in [Figure 7](#).
3. Crimp a ring terminal (not provided) onto the end of the cabinet grounding wire.
4. Remove the nut and flat washer from the grounding stud located in the far left corner of the cabinet (see [Figure 7](#)).

5. Place the grounding wire ring terminal over the cabinet grounding stud.
6. Install the nut and washer removed in step 4 on the cabinet grounding stud and tighten to 25 to 30 inch-lbs (2.8 to 3.4 Nm) of torque.

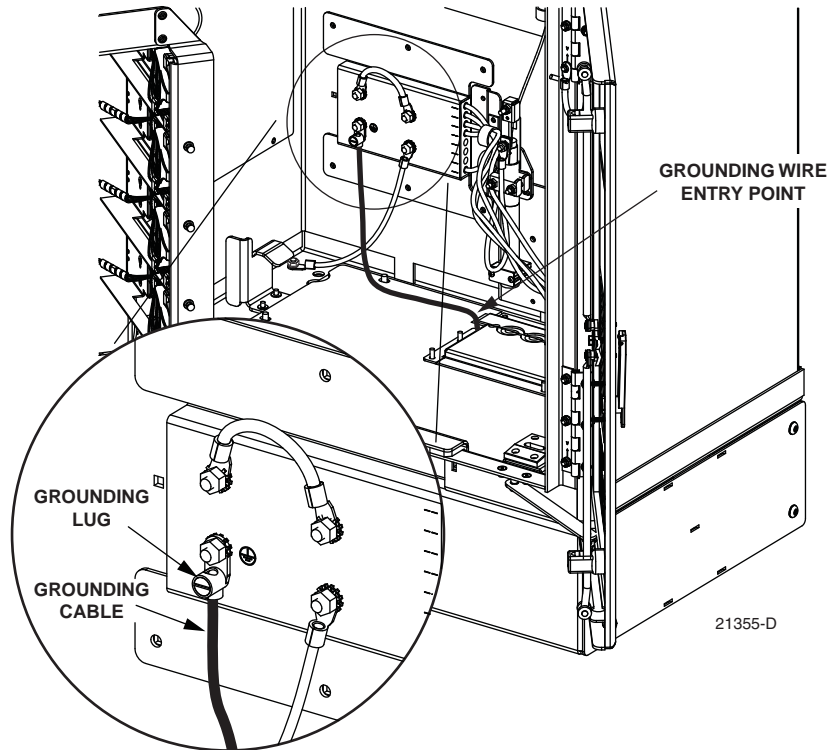


Figure 7. Grounding Wire Connection To Cabinet

4 MOUNTING THE PEDESTAL-MOUNT CABINET ON A CONCRETE PAD

The Pad Mount Frame (PMF), shown in [Figure 8](#), is a stainless steel frame that provides a mounting base for the cabinet when embedded in a concrete foundation.



Caution: Mounting the cabinet directly on a concrete pad may cause chemical corrosive action to the cabinet. Use only the Pad Mount Frame (PMF) as a mounting base for the cabinet. Do not use caulking compounds as a sealer between the cabinet and the PMF.

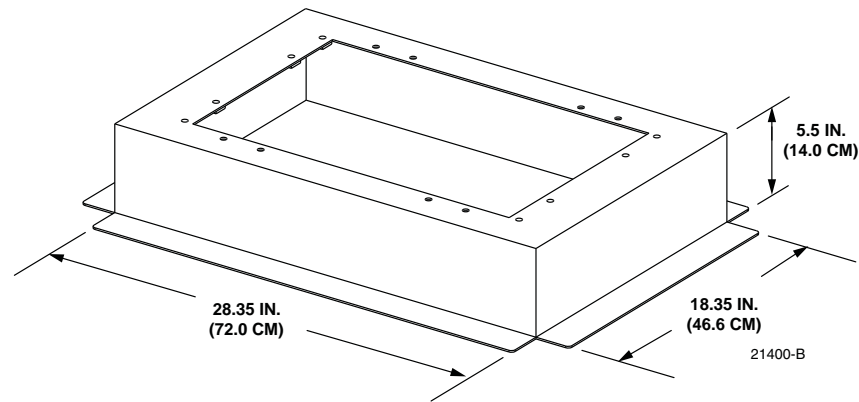


Figure 8. Pad Mount Frame Dimensions

4.1 Installation Recommendations

The site chosen for the installation must conform to all local codes and any permits required must be obtained prior to the start of installation. The location must be accessible and provide adequate parking for worker and vehicle safety. Situate the concrete pad close to the trench that was used for routing the OSP fiber cables for the network distribution system.

The installed cabinet must not create a visual or physical obstruction to vehicular or pedestrian traffic. Ensure that there is sufficient space on all sides to facilitate cabinet installation. Depending on the landscaping requirements, the top surface of the concrete pad may be located from 0 to 3 inches (7.6 cm) above the surrounding grade.

4.2 Base Construction and Conduit Installation

Prepare a base for the concrete pad that meets all local code requirements. The base must have a footing of 4 to 6 inches (10.2 to 15.2 cm) of sand or gravel (per local practice) on firmly compacted soil. Refer to the construction diagram in [Figure 9](#) for details.

Install the cable conduit from below and position it so that the top of each upward bend will be located within the PMF opening at the indicated point. When installed, the top of the conduit should be located 1 to 2 inches (2.54 to 5.08 cm) **below** the top of the finished concrete pad. Install the conduit **before** pouring the pad.

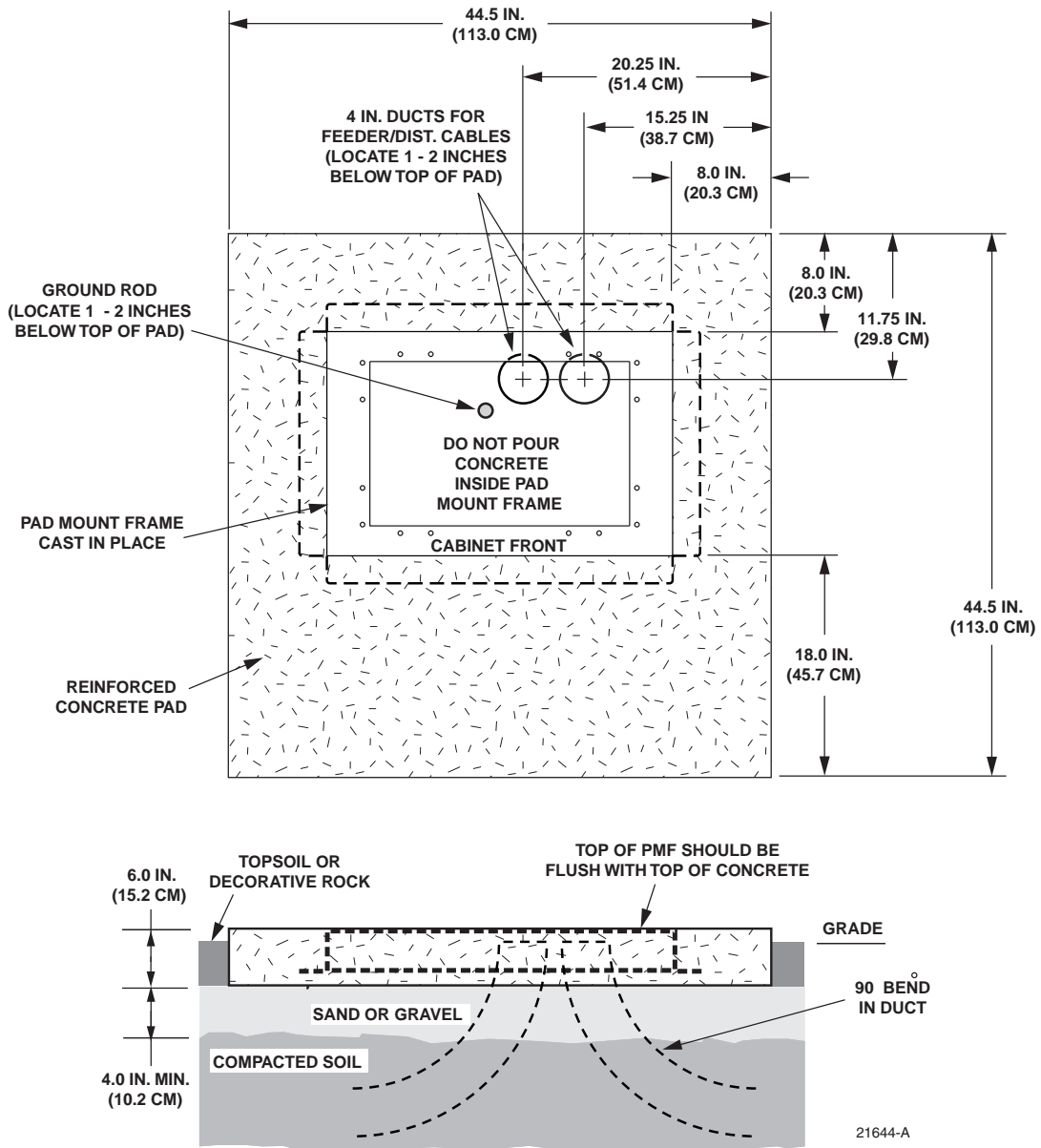


Figure 9. Constructing the Concrete Pad for the FDH 3000 288 Termination Cross-Connect Cabinet

A template is provided with the cabinet isolation gasket. The template may be used to determine the cable conduit locations. Place the template over the top of the PMF and align the top right corner of the template with the top right corner of the PMF as shown in [Figure 10](#). The holes punched in the template show the locations for the conduit within the PMF.

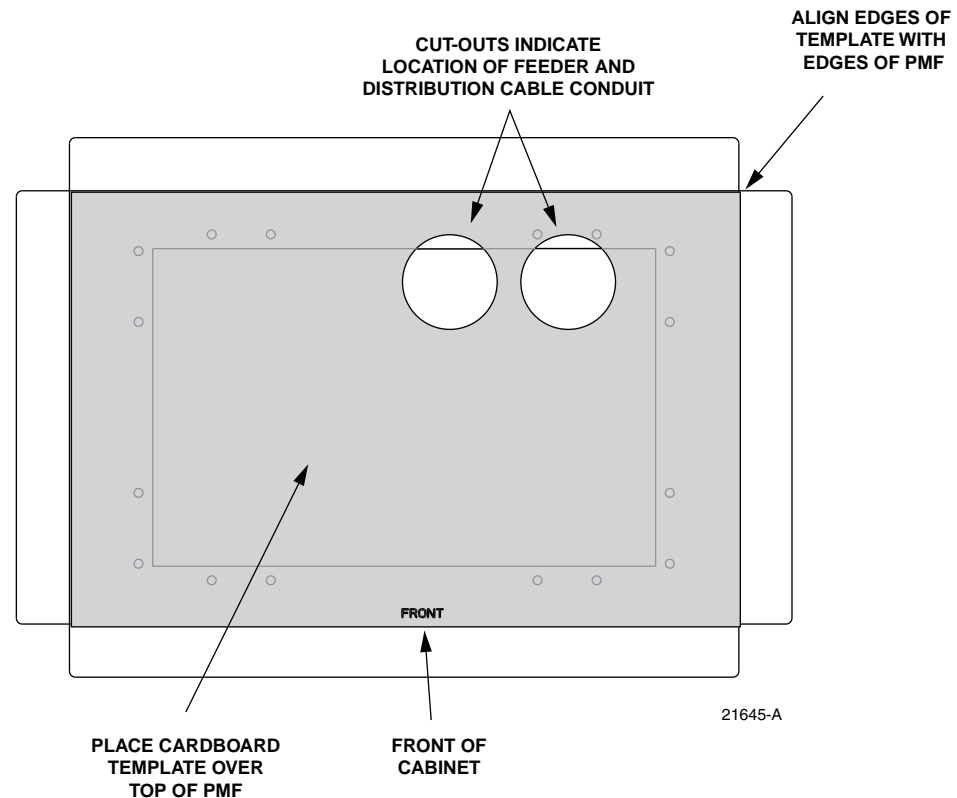


Figure 10. Using the Template To Determine Duct Location Within the PMF

4.3 Concrete Pad Construction

Use the following procedure to construct the concrete pad:

1. Build a wood form for the concrete pad using 2 x 6 framing lumber as shown in [Figure 11](#).
2. Locate the PMF as shown in the construction diagram (see [Figure 9](#)). When installed, the top surface of the PMF must be flush and level with the top of the concrete pad.
 - ▶ **Note:** Use temporary top framing to keep the top surface of the PMF flush and level with the top of the concrete pad (see [Figure 11](#)).
3. Place reinforcing material inside the form but outside of the PMF.
4. Verify that the PMF and form are level. Depending on the landscaping requirements, the top surface of the concrete pad may be 0 to 3 inches (0 to 7.6 cm) above the final grade. The weld nuts are covered with plugs which must be left in place until the enclosure is mounted.

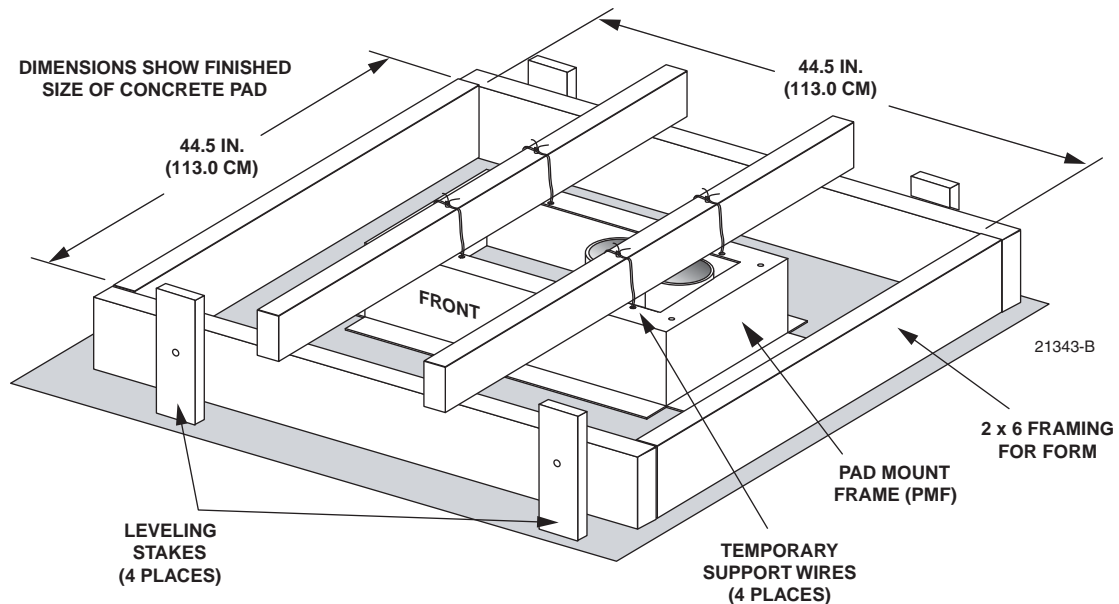


Figure 11. Concrete Pad Framing

5. Pour the concrete to form the pad but do *not* pour concrete into the center area of the PMF.
- ▶ **Note:** Allow some concrete to flow under the flanges on the bottom of the PMF so the PMF will be locked in place when the concrete hardens. However, do not allow concrete to fill the center of the PMF. If necessary, partially fill the center of the PMF with sand or gravel to prevent an inflow of concrete.
6. Remove the top framing and the temporary support wires when the concrete is ready to be finished.
7. Allow concrete to cure before proceeding with the installation.

4.4 Grounding System Installation

Install a grounding system (not provided) that meets all local electrical codes. Check local codes for grounding system installation, use of clamps, wire size, and any other grounding requirements. Typically, #6 AWG copper wire is used for the ground wire. If the grounding system includes a ground rod, install the rod (see [Figure 9](#)) within the PMF opening at the indicated point. When installed, the top of the rod should be located 1 to 2 inches (2.54 to 5.08 cm) **below** the top of the finished concrete pad. Leave sufficient slack in the grounding wire to allow it to be routed into the cabinet after the cabinet is mounted on the pad.

4.5 Mounting the Cabinet on the Concrete Pad

Use the 216B key tool to un-latch and latch the cabinet doors as needed during the mounting process. Refer to [Figure 12](#) as necessary when mounting the cabinet.



Warning: Use appropriate lifting equipment when moving or installing the cabinet. Do not stand under the cabinet as it is being hoisted into position for installation. A failure of the lifting equipment could result in serious personal injury.

Use the following procedures to mount the cabinet on the concrete pad.

1. Use a 3/16-inch security hex-head wrench to remove the screws that secure the access covers to the left and right sides of the cabinet ground spacer/riser as shown in [Figure 13](#).
2. Remove the plastic plugs that are installed in the threaded corner holes of the PMF and clean off any concrete that may have adhered to the top of the PMF.
- ▶ **Note:** Make sure all remnants of concrete are removed from the PMF prior to mounting the cabinet. It is not necessary to use shims to level or align the cabinet as long as the top surface of the PMF is clean and free of any installation debris.
3. Place the isolation gasket (provided with cabinet) on the PMF and align the holes in the gasket with the holes in the PMF. Make sure the wide side of the gasket is on the side of the PMF that corresponds to the front side of the cabinet.
4. If a ground spacer/riser (accessory) will be installed, place the spacer/riser in position for mounting on the PMF. The isolation gasket installed in step 3 should remain in place between the PMF and spacer/riser. If a spacer/riser will not be installed, proceed to step 7.
5. Align the mounting holes in the spacer/riser with the mounting holes in the PMF.
6. Secure the spacer/riser to the PMF using the four capscrews, four lock washers, and four flat washers provided. Tighten all capscrews securely.
7. Using appropriate lifting equipment, hoist the cabinet several feet into the air to provide access to the feeder and distribution cables.



Danger: Do not stand directly under the cabinet as it is being hoisted into position for cable installation. A failure of the lifting equipment could result in serious personal injury.

- ▶ **Note:** Label or tag the stub end of each cable so it can be identified after it is routed to the splice enclosure.

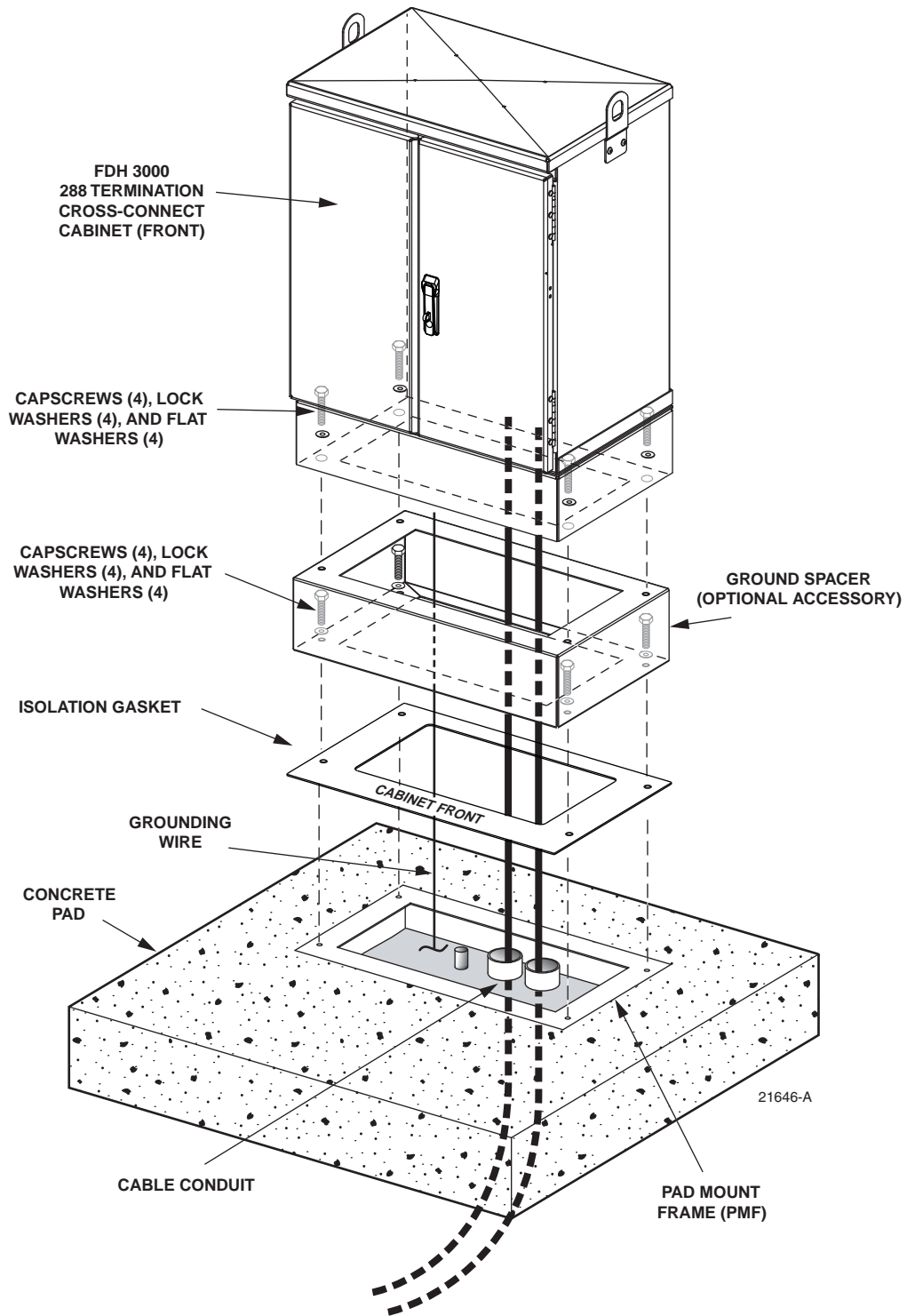


Figure 12. Mounting the FDH 3000 288 Termination Cross-Connect Cabinet on the Concrete Pad

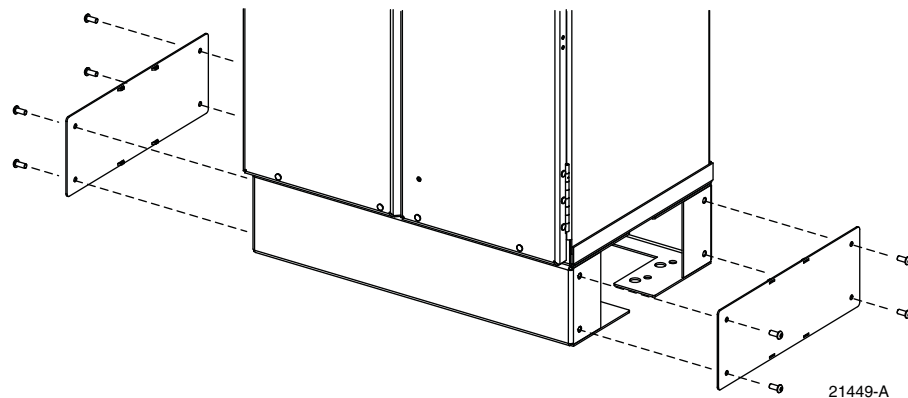


Figure 13. Removing Access Covers From Sides of Ground Spacer/Riser

8. Feed the stubbed feeder and distribution cables into the appropriate conduit sections and route to the splice enclosure (not provided).
- **Note:** A separate splice enclosure (not provided) is required for splicing the cabinet OSP feeder and distribution cables to the network cables.
9. Lower the cabinet onto the ground spacer/riser or PMF and align the mounting holes in the cabinet base with the threaded holes in the spacer/riser or PMF. If a spacer/riser was not installed, leave the isolation gasket (installed in step 3) in place on the PMF.
10. Secure the cabinet to the spacer/riser or PMF using the four capscrews, four lock washers, and four flat washers provided with the cabinet. Tighten all four capscrews securely.
11. The lifting eyes may be left in place or removed from the cabinet. To remove the lifting eyes, use the security key tool (accessory) to remove the lifting eye screws. Store the lifting eyes inside the cabinet and then re-install the lifting eye screws in the cabinet.

4.6 Grounding Wire Connection To Cabinet

Prior to mounting the cabinet, a grounding system and grounding wire should have been installed (see [Section 4.4](#)) in the space below the cabinet. Use the following procedure to connect the grounding wire to the cabinet:

1. Locate the grounding wire that was installed prior to mounting the cabinet on the pad.
2. Working through the access openings on the left or right sides of the cabinet, insert the grounding wire through the flexible membrane at the point indicated in [Figure 14](#).
3. Crimp a ring terminal (not provided) onto the end of the cabinet grounding wire.

4. Remove the nut and flat washer from the grounding stud located in the far left corner of the cabinet (see [Figure 7](#)).
5. Place the grounding wire ring terminal over the cabinet grounding stud.

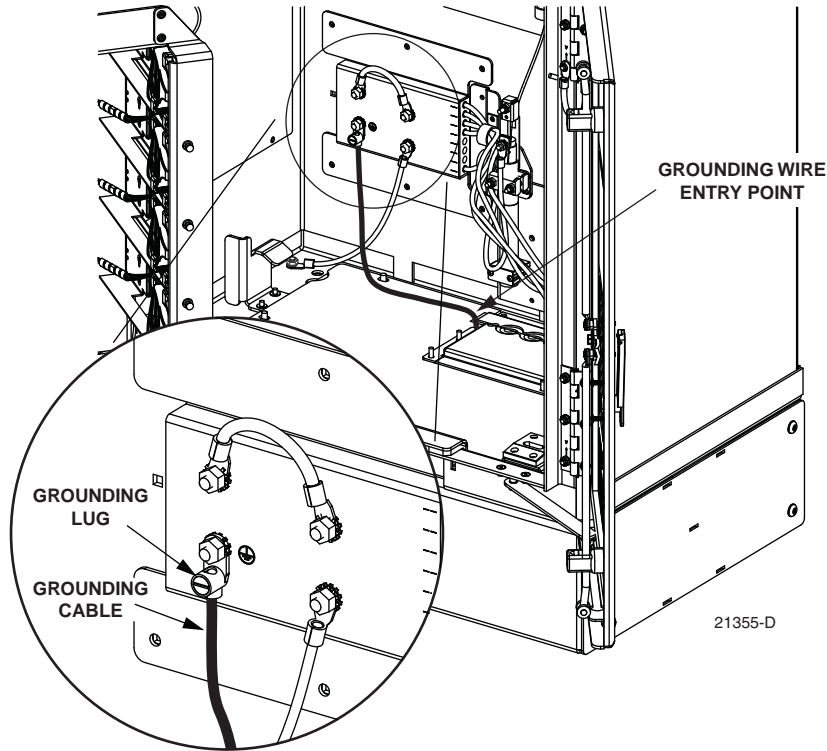


Figure 14. Grounding Wire Connection To Cabinet

6. Install the nut and washer (removed in step 4) on the cabinet grounding stud and tighten to 25 to 30 inch-lbs (2.8 to 3.4 Nm) of torque.
7. Reinstall the left and right access covers that were removed in step 1 of [Section 4.5](#). Use the 3/16-inch security hex-head wrench to tighten the screws that secure each access cover to the sides of the cabinet ground spacer/riser.

5 OSP CABLE CONFIGURATION INFORMATION

The FDH 3000 288 termination cross-connect cabinet is equipped with pre-installed OSP cables. The cables may be designated as feeder or distribution cables depending on the application requirements. The cable stub ends must be spliced to the network cables at a separate splice enclosure (not provided). The stub cables are 100 feet (30.5 meters) in length.

Each cable has a fiber count that is a multiple of 72. From 1 to 4 cables may be present depending on the number of connector panels ordered and the cable fiber count. Within the cabinet, each cable is secured with a pair of clamps. Beyond the clamps, the outer sheath of the cable is removed to expose the optical fiber subunits. Each subunit is fanned out into 12 individual fibers, each of which is terminated with a connector.

The fiber subunits are routed to the back of each connector panel. Each fiber connector is connected to a specified bulkhead adapter at the rear of the panel. Depending on the option ordered, the connector panels may be equipped with either UPC/SC or APC/SC adapters. A diagram of the cable configuration is shown in [Figure 15](#). Cables with 72, 144, 216, or 288 fibers are available.

Designation labels are provided on the cabinet doors for recording subscriber information for each connector panel port. The labels indicate the fiber number and cable number associated with each fiber port. The subunits are numbered for identification and the individual fibers are color-coded for identification. Always perform a light test before splicing to verify the port location for each fiber.

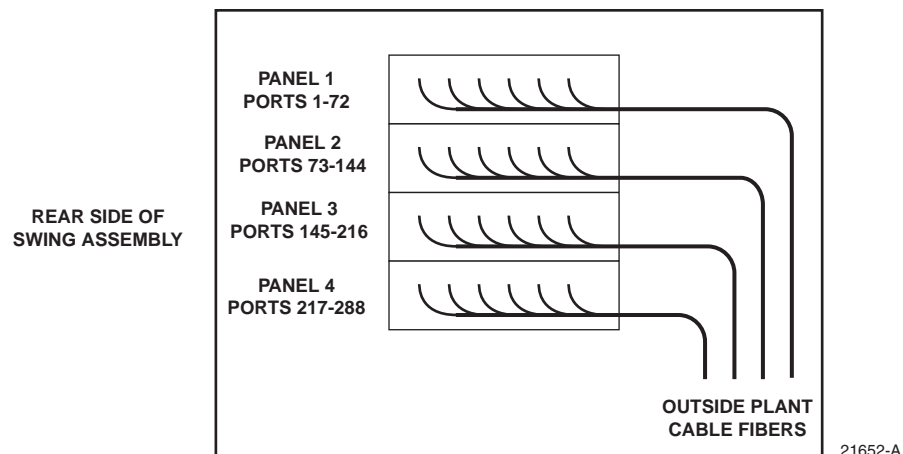


Figure 15. OSP Cable Configuration

6 CONNECTOR PANEL INSTALLATION

The FDH 3000 288 termination cross-connect cabinet can support up to four 72-position connector panels. Cabinets can be ordered with 1, 2, 3, or 4 connector panels pre-installed in the cabinet. If the cabinet is equipped with less than four connector panels, additional panels may be installed as needed. Pre-cabled connector panels are available separately for installation in unused connector panel mounting slots. Use the following procedure to install a connector panel in an unused mounting slot:

1. Remove the nuts that secure the cable entry/exit hole cover to the bottom of the cabinet as shown in [Figure 16](#). Save nuts for reuse.

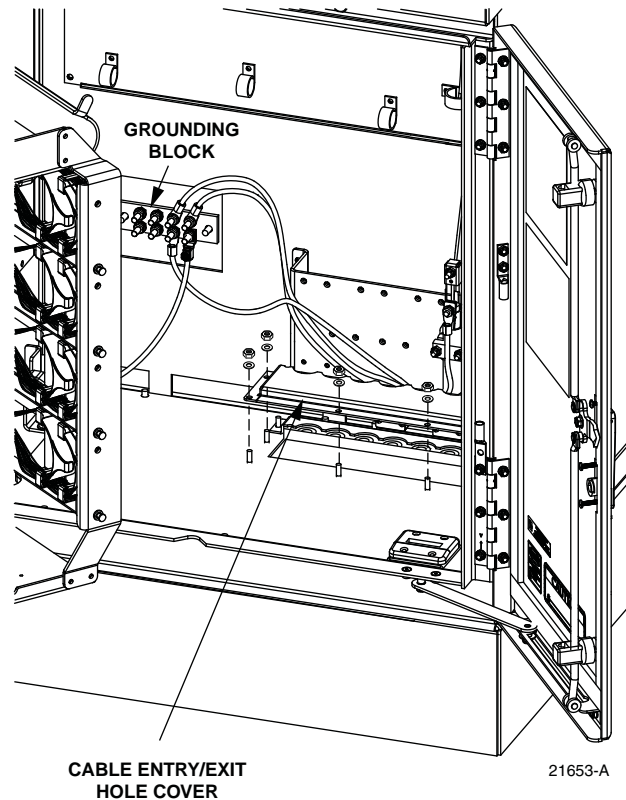


Figure 16. Cable Entry/Exit Hole Cover

2. Remove the cable entry/exit hole cover and attached flexible membrane from the bottom of the cabinet.
3. Locate the cable clamping position specified for the next cable as shown in [Figure 17](#).
4. Remove the cable clamp assembly (attached to lower portion of the cable clamp bracket) that corresponds to the selected cable clamping position.
5. Feed the cable through the specified cable entry/exit hole and into the cable duct or fiberglass mounting sleeve that is located beneath the cabinet. Pull all excess slack out of the cable.

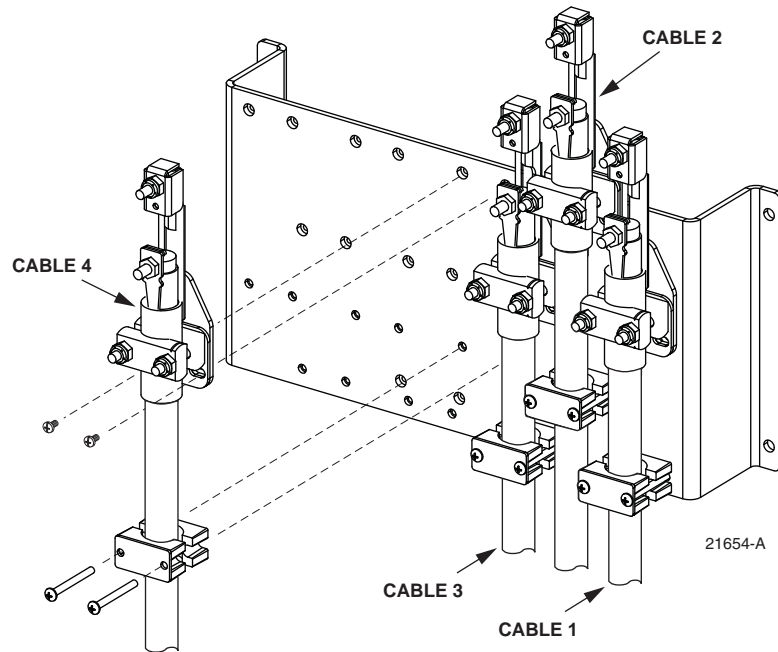


Figure 17. Secure Cable to Cable Bracket

6. Using the two screws provided, secure the cable clamp plate (attached to cable) to the cable bracket at the rear of the cabinet.
7. Assemble the cable clamp (and grommet if required) on the cable as shown in [Figure 18](#) and secure the cable to the lower part of the cable clamp bracket.

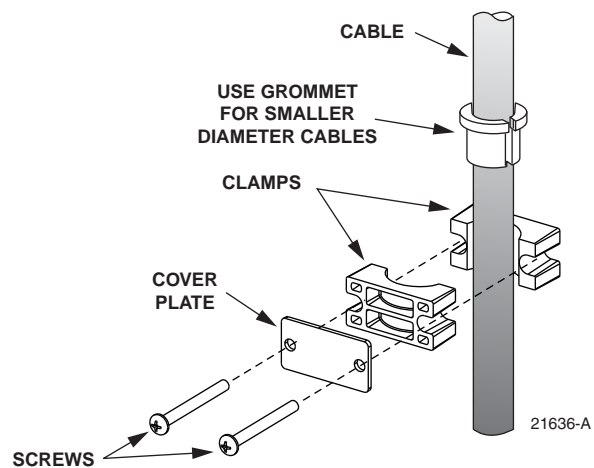


Figure 18. Cable Clamp Assembly

8. Reinstall the cable entry/exit hole cover removed in step 1.

9. If a grounding stud is provided on the cable, connect a #6 AWG jumper cable (provided with cabinet) between the cable grounding stud and the cabinet grounding block (see [Figure 14](#)). Tighten grounding stud nuts to 20 to 25 inch-lbs. (2.3 to 2.8 Nm) of torque.



Warning: *The grounding wires are connected to cabinet ground through a common copper grounding block. Failure to properly tighten the nut on each individual cable grounding stud could result in improper grounding of the cable and result in performance or safety issues.*

10. Place the connector panel in position for mounting on the **rear** side of the swing frame as shown in [Figure 19](#). Use the plastic push pins provided to secure the connector panel to the rear side of the swing frame.

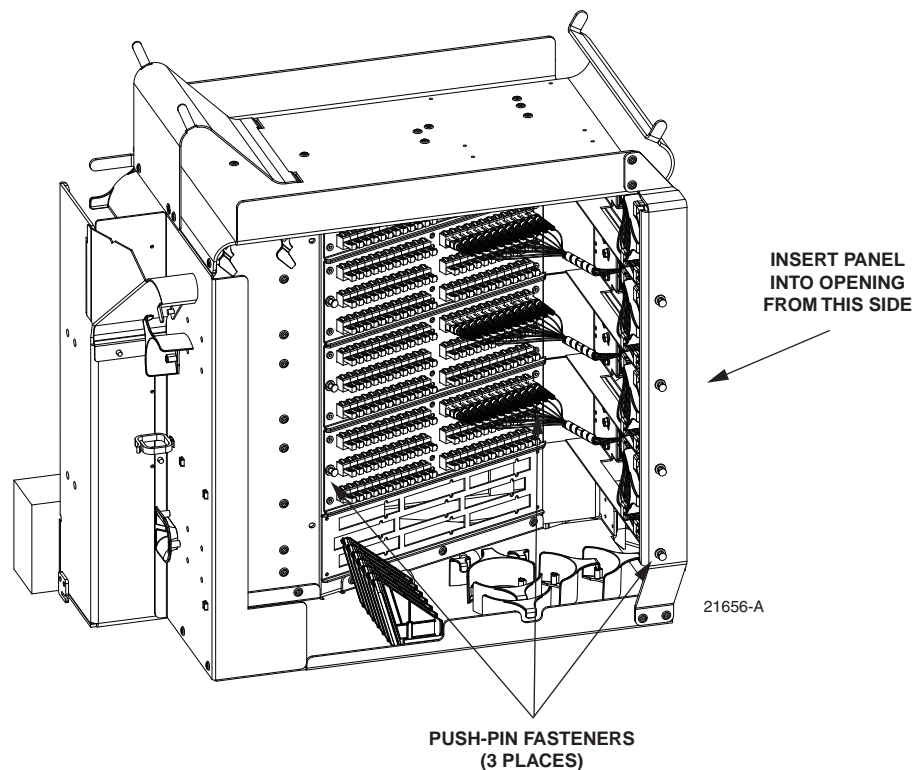
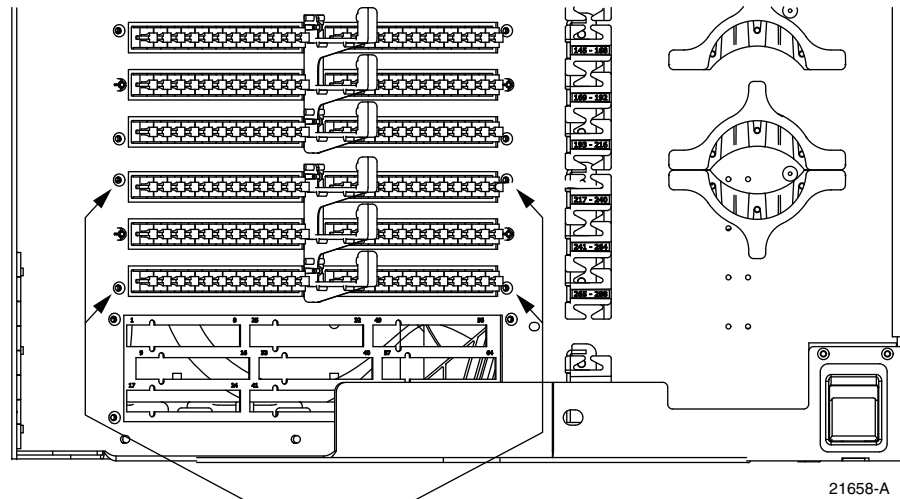


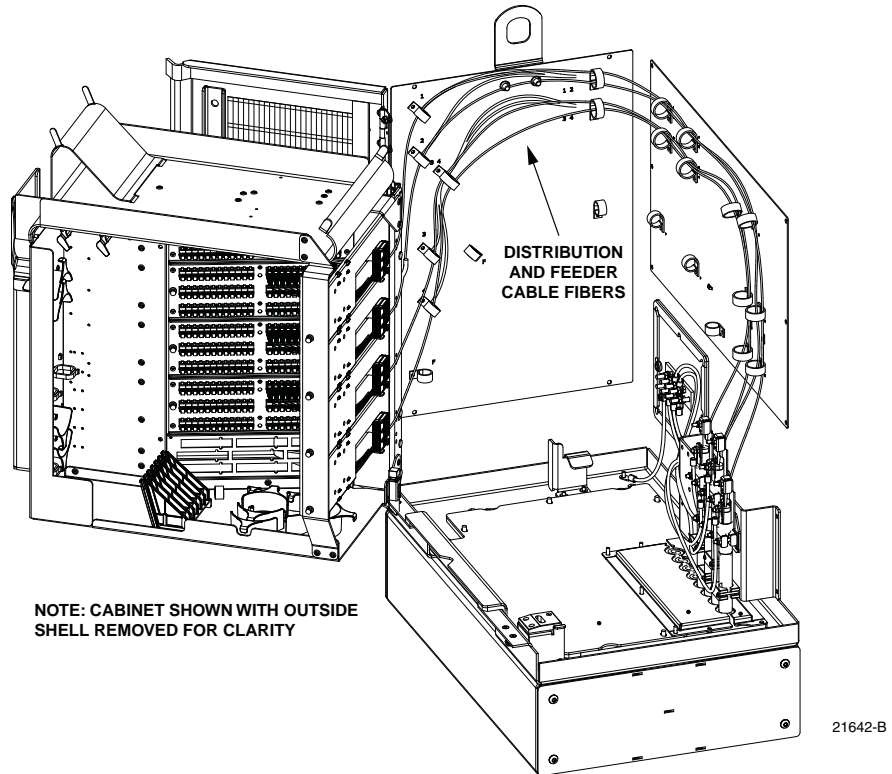
Figure 19. Placing Connector Panel In Position For Mounting

11. Working from the front, use the four screws provided to secure the front of the connector panel to the swing frame as shown in [Figure 20](#).
12. Route and secure the cable subunit fibers to the back of cabinet as shown in [Figure 21](#).



SCREW LOCATIONS
FOR PANEL 4
(4 PLACES)

Figure 20. Secure Connector Panel to Swing Frame



NOTE: CABINET SHOWN WITH OUTSIDE SHELL REMOVED FOR CLARITY

Figure 21. Route and Secure Distribution Cable Subunits

7 ROUTING AND CONNECTING THE CROSS-CONNECT PATCH CORDS

The connectorized ends of the feeder and distribution cables are terminated at the rear side of the connector panels. Cross-connections between the terminated fibers are made using jumper patch cords. The patch cords connect to the terminated cable fibers at the front side of the connector panels. Excess patch cord slack is stored using radius limiters. The recommended jumper patch cord length for all cross-connections is **1.75 meters**. Use the following procedure to route and connect the jumper patch cords:

1. Locate the optical ports that will be cross-connected and then remove the dust caps from each adapter.



Warning: *Infrared radiation is invisible and can seriously damage the retina of the eye. Do not look into the ends of any optical fiber. Do not look directly into the optical adapters or connectors. Exposure to invisible laser radiation may result. An optical power meter should be used to verify active fibers. A protective cap or hood **MUST** be immediately placed over any radiating adapter or optical connector to avoid the potential of dangerous amounts of radiation exposure. This practice also prevents dirt particles from entering the adapter or connector.*

2. Remove the ferrule dust caps from the patch cord connectors and then clean each connector as specified in the Optical Fiber Systems Cleaning and Mating Instructions (ADCP-90-159).
3. Connect the jumper patch cord connectors to the optical ports located in step 1.
4. Route the jumper patch cord as shown in [Figure 22](#) using the radius limiters on the right side of the cabinet to store any excess fiber slack.

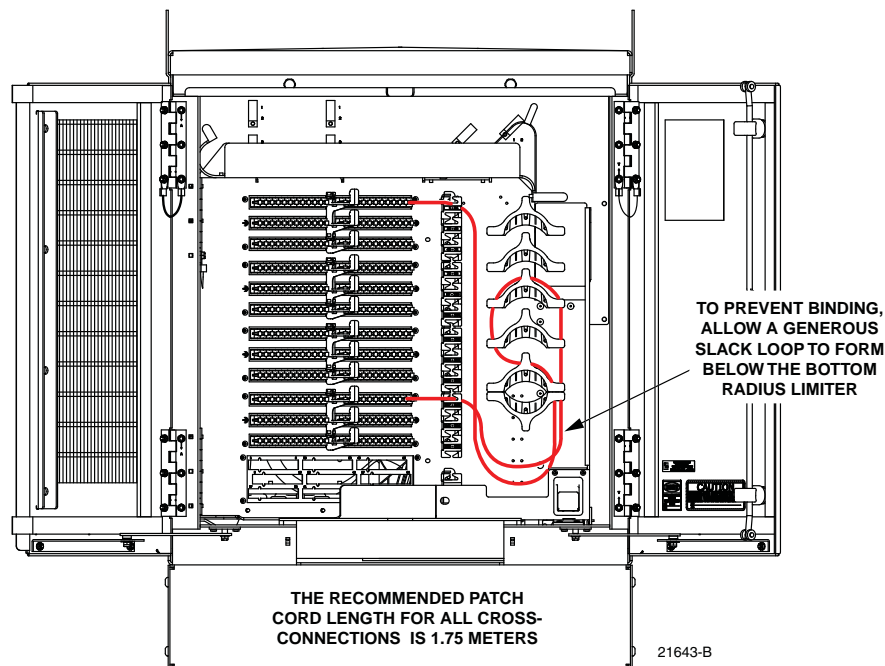


Figure 22. Cross-Connect Patch Cord Routing and Slack Storage - Typical

8 MAINTENANCE AND REPAIR PROCEDURES

The FDH 3000 288 termination cross-connect cabinet requires no regular maintenance to insure continuous and satisfactory operation. Maintenance is limited to repairing or replacing any cabinet components that may be damaged or broken in the course of normal operation.

8.1 Painting

Brush-in-cap type bottles of paint are available for touching-up nicks and scratches in the factory coat of paint. Lightly sand the area to be painted and then clean it thoroughly to remove any dirt, dust, or foreign matter. Shake the paint bottle until thoroughly mixed and then apply a light coat of paint to the damaged area using the small brush attached to the cap. Wait until the paint is dry and then apply a second coat if necessary. When finished painting, replace the paint bottle cap and tighten securely.

8.2 Connector Panel Adapter Replacement

Replacement adapters are available for the connector panels. Use the following procedure to remove and replace a damaged adapter:

1. Disconnect the splitter connector from the front side of the broken adapter as shown in [Figure 23](#) and install a dust cap on the connector.



Warning: *Infrared radiation is invisible and can seriously damage the retina of the eye. Do not look into the ends of any optical fiber. Do not look directly into the optical adapters or connectors. Exposure to invisible laser radiation may result. An optical power meter should be used to verify active fibers. A protective cap or hood MUST be immediately placed over any radiating adapter or optical connector to avoid the potential of dangerous amounts of radiation exposure. This practice also prevents dirt particles from entering the adapter or connector.*

2. Unlatch and fully open the cabinet swing assembly to provide access to the rear side of the connector panel.
3. Disconnect the distribution connector from the rear side of the broken adapter and install a dust cap on the connector.



Caution: *Use extreme care when removing a connector or an adapter from the connector panel to avoid macro bending the adjacent fibers.*

4. Working from the rear side of the connector panel, use the SC adapter removal tool (catalog # FCC-ACC003) to depress the two metal tabs that retain the adapter in the panel. Then push forward on the adapter until it pops out of the panel.
5. Discard the damaged adapter.
6. Install the replacement adapter by inserting it into the connector panel from the front and then pushing it toward the back until it snaps into place.

- **Note:** Make sure the keyway in the replacement adapter is facing in the same direction as the keyways in the rest of the adapters installed in the connector panel.

7. Clean the distribution and splitter fiber connectors as specified in the Optical Fiber Systems Cleaning and Mating Instructions (ADCP-90-159).

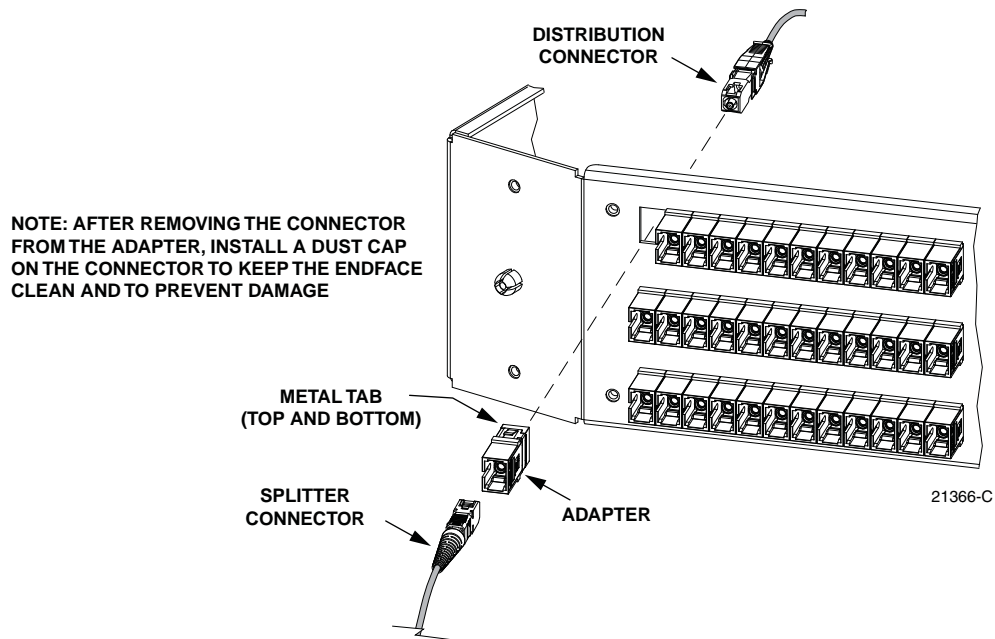


Figure 23. Adapter Removal and Replacement

8. Connect the distribution connector to the rear side of the replacement adapter.
9. Close the cabinet swing assembly.
10. Connect the splitter connector to the front side of the replacement adapter.

8.3 Replacing a Damaged Distribution or Feeder Connector

A damaged fiber or connector can usually be replaced. Replace the connector at the bulkhead adapter if just the connector alone is damaged. Use a field-installable connector replacement kit. Use the following procedure to replace the connector:

1. Disconnect the damaged connector and the good connector from the adapter and install a dust cap on the good connector.



Warning: *Infrared radiation is invisible and can seriously damage the retina of the eye. Do not look into the ends of any optical fiber. Do not look directly into the optical adapters or connectors. Exposure to invisible laser radiation may result. An optical power meter should be used to verify active fibers. A protective cap or hood MUST be immediately placed over any radiating adapter or optical connector to avoid the potential of dangerous amounts of radiation exposure. This practice also prevents dirt particles from entering the adapter or connector.*

2. Replace the damaged connector as specified in the procedures provided with the field-installable connector replacement kit.

3. Clean both connectors as specified in the Optical Fiber Connector Wet and Dry Cleaning Instructions (ADCP-90-159) or by locally approved procedures.
4. Reconnect the good connector and the replacement connector to the adapter.

8.4 Door Gasket Replacement

Damaged door gaskets may be replaced using the door gasket kit which includes a roll of gasket material. The ideal installation temperature for the adhesive used on the replacement gaskets is between 60 and 100 °F (16 and 38 °C). Installation is not recommended if the temperature is below 50 °F (10 °C). Remove any damaged sections of gasket material from the door. If necessary, use a citrus based adhesive cleaner to remove any adhesive that may stay attached to the door. Cut replacement lengths of gasket material from the roll as needed. Remove the paper backing to expose the adhesive and then carefully apply the replacement gasket to the door. Take care not to leave any gaps between the meeting sections of the gasket strips.

8.5 Door Replacement

Damaged cabinet doors may be replaced using the door replacement kit. Use the following procedure to remove and replace the cabinet doors:

1. Open both cabinet doors and lock them in the open position as shown in [Figure 24](#).
 2. Use a 3/8-inch nut driver to remove the two locking nuts that secure the grounding strap lug to the right door. Save nuts for reuse.
 3. Use a 3/8-inch nut driver and wrench to remove the locking nut, brass bushing, and capscrew that secures the door linkage to the door bracket. Save the nut, bushing, and capscrew for reuse.
 4. Use a 3/8-inch nut driver to remove the three locking nuts that secure each hinge to the door. Save nuts for reuse.
- **Note:** Support the door as the last nuts are removed to prevent the door from falling.
5. Carefully lift the door away from the cabinet.
 6. Transfer all designation information that may be recorded on the damaged door to the labels on the replacement door.

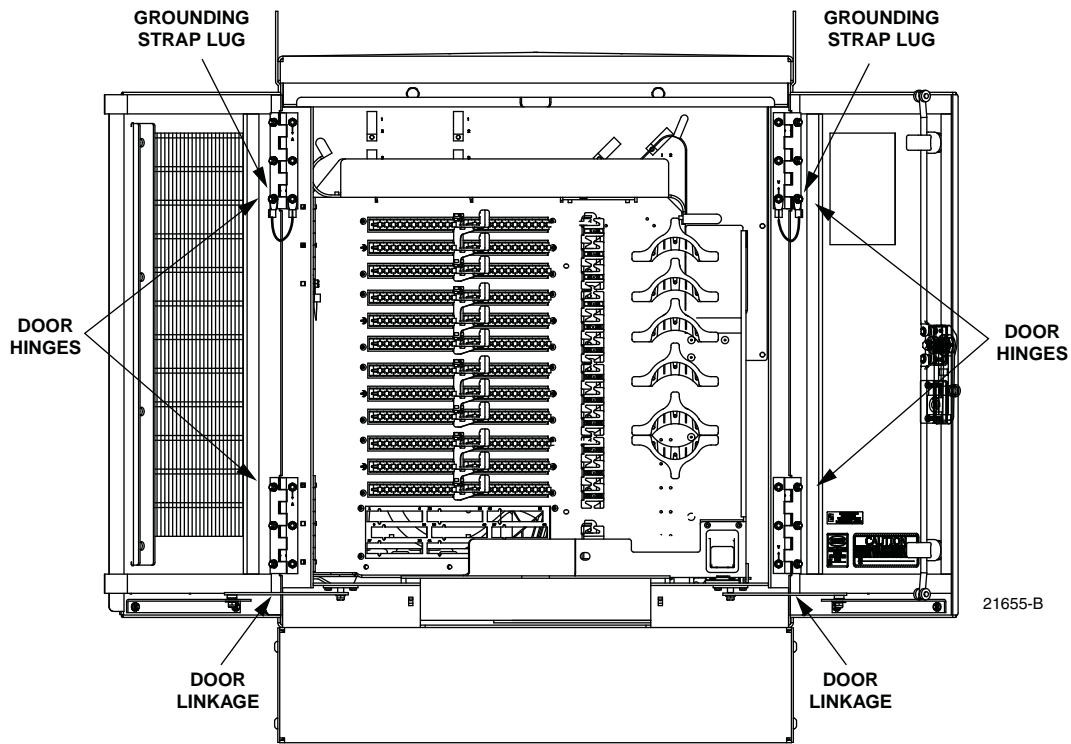


Figure 24. Door Replacement

7. Place the replacement door in position for installation on the hinges.
8. Reinstall the three locking nuts (saved in step 4) that secure each hinge to the door.
9. Reinstall the locking nut, brass bushing, and capscrew (saved in step 3) that secures the door linkage to the door bracket.
10. Reinstall the two locking nuts (saved in step 2) that secure the grounding strap lug to the door.
11. Repeat process for the left door.
12. Close doors and check for proper operation.

9 CUSTOMER INFORMATION AND ASSISTANCE

<http://www.commscope.com/SupportCenter/TechnicalSupport.aspx>